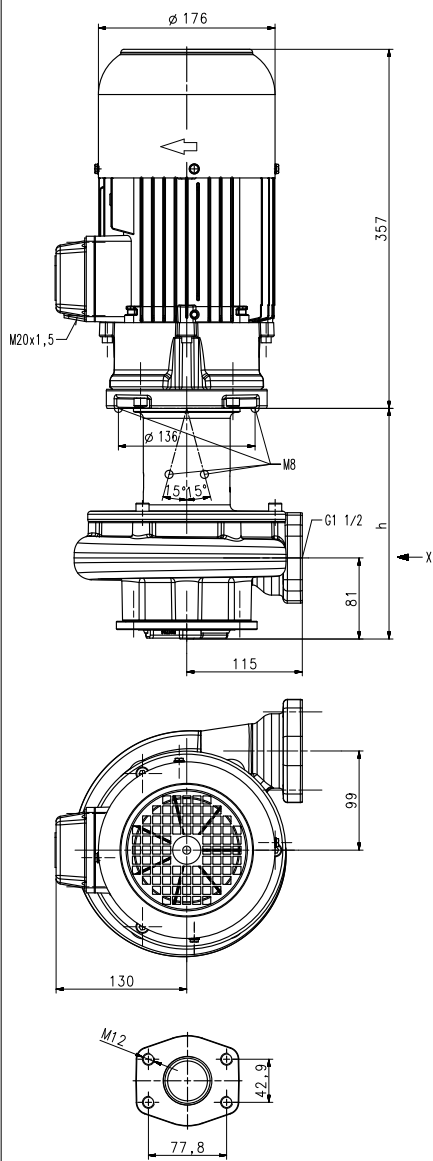


Stainless Steel Cutter Pumps

TVC400

Axial/semi-open impellers

TVC400



Type	Vol. del. at manom. del. head l/min /m	Height H mm	Depth of immersion h mm	Weight kg	Power kW	Voltage 3~ V	Fre- quen- cy Hz	Current A	Speed 1/min
TVC400/230	300/10	357	227	41.5	2.2	220-240	50	7.8	2890
360			357	45.0		380-415	50	4.5	2890
580			577	51.0					
					2.55	460	60	4.4	3480



Stainless Steel Cutter Pumps

of the series TVC are designed to handle and reliably cut long, stringy plastic chips as well as bundles of swarf. The pump is equipped with two cutting devices. Located in front of the chip breaker is a scraper that is used for the first cutting operation. In addition, the scraper keeps the openings of the inlet cover free from large debris that could clog the flow path. The cutting unit is cutting the plastic chips and the semi-open impeller with its large clearances allows to pump the particles along with the coolant fluid from the machine back to the filter.

Because of the higher number of cutting blades which results in an increased cutting frequency all chips are being consistently cut in small pieces. The TVC pumps are capable of handling chip to coolant ratios of up to 0.3% by weight.

Complete pump and plate assemblies, including discharge pipe and mounting plate are available upon request.

For more information see lifting pumps features SXC/SPC within the technical information section.

Applications

Types of fluid
 Industry water
 lees / solvents
 de-ionized water
 Max. chip to coolant ratio by weight:
 0.3 %
 Chip material:
 Plastic
 Kinematic viscosity
 ...20 mm²/s (20 cSt)
 Pumping temperature
 0...60° C

Construction

Pump body	CrNi-steel
Cover	CrNi-steel
Impeller	CrNi-steel
Cutting unit	Hardened
Shaft	CrNi-steel

