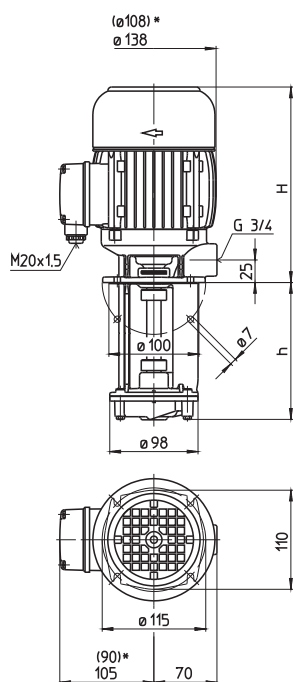


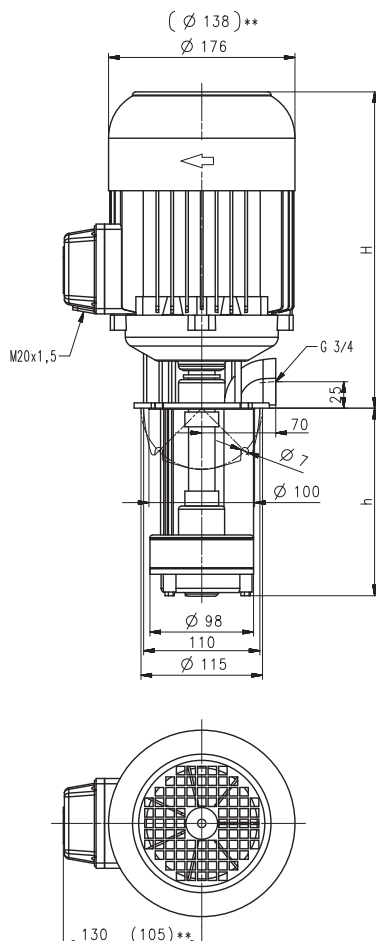
TS12...TS24

Peripheral impellers

TS12, 13, 14, 21, 22



TS15, TS24



*) Dimensions for TS12, 13
 **) Dimensions for TS15

Type	Vol. del. at manom. del. head l/min / m	Height H mm	Depth of immersion h mm	Weight kg	Power kW	Voltage 3~ V	Fre- quen- cy Hz	Current A	Speed 1/min
TS12/110	20/10	236	110	5.7	0.32	220-240	50	1.58	2825
	150		150	5.9					
	190		190	6.3	0.365	460	60	0.84	3400
	250		250	6.8					
	300		300	7.3					
TS13/110	20/16	236	110	6.2	0.32	220-240	50	1.58	2825
	150		150	6.4					
	190		190	6.8	0.365	460	60	0.84	3400
	250		250	7.3					
	300		300	7.8					
TS14/110	20/16	243	110	7.2	0.48	220-240	50	2.06	2820
	150		150	7.5					
	190		190	7.9	0.55	460	60	1.14	3405
	250		250	8.2					
	300		300	8.5					
TS15/190	20/35	285	190	12.5	1.1	220-240	50	4.33	2850
	220		220	13.0					
					1.27	460	60	2.4	3440
TS21/110	40/14	258	110	9.7	0.75	220-240	50	3.24	2850
	150		150	10.0					
	190		190	10.5	0.86	460	60	1.85	3440
	250		250	11.0					
	300		300	11.5					
350		350	12.0						
TS22/110	40/25	285	110	11.8	1.1	220-240	50	4.33	2850
	150		150	12.2					
	190		190	12.5	1.27	460	60	2.4	3440
	250		250	13.0					
	300		300	13.4					
350		350	13.7						
TS24/140	40/35	360	140	26	1.9	220-240	50	6.84	2900
	180		180	27					
	220		220	28	2.18	460	60	3.9	3500


Immersion Pumps

Models TS12 to TS24 are suitable for **CNC machine tools** featuring coolant supply through the tool holder or driving spindle or equipped with internally cooled tool.

These pumps are equipped with a peripheral impeller to achieve a compact high pressure unit.

Series TS are suitable for filtered coolant only.

To reduce pump pressure, models TS22 to TS24 are also available with an optional Y/YY (Dahlander) motor configuration for 4 pole operation at half speed.

 Special versions of the TS pumps can be supplied for use with temperature controlling systems carrying thermal oils of up to 150° C resp. 200° C.

Applications

Types of fluid
coolants
cooling/cutting oils

Kinematic viscosity
...45 mm²/s (45 cSt)

Pumping temperature
0...80° C
...150° C (200° C) as special make (TS)

Construction

Pump body	cast iron
Cover	cast iron
Impellers	brass
Shaft	steel
Optional:	
Pump body	bronze (TS12...TS14, TS21...TS22)
Cover	bronze (TS12...TS14, TS21...TS22)
Impellers	CrNi-steel (TS12...TS22)

Noise level

TS12...TS14	54 dBA
TS21...TS22	64 dBA
TS15	66 dBA
TS24	67 dBA

