

Quick Suctioning Immersion Pumps

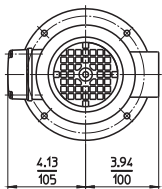
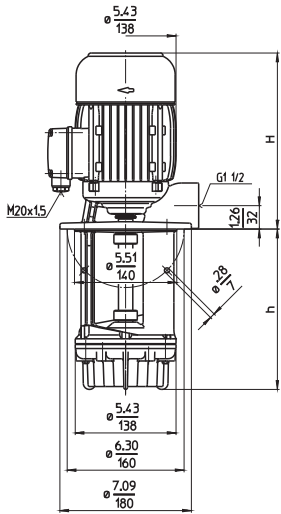
TGL/SGL501...503

Axial/semi-open impellers

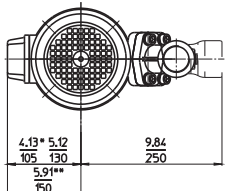
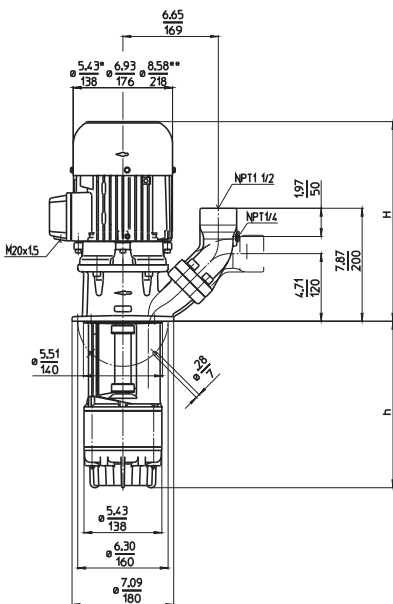


60 Hz

TGL501



SGL501...503



Type	Flow at head		Height	Depth of im- mersion		Weight		Power	Voltage	Fre- quen- cy	Current	Speed
	GPM /Feet l/min /m	H inch mm	H inch mm	h inch h mm	Lbs kg	HP kW	V	Hz	AMPS	RPM		
TGL501S150	60/22	11.5	5.91 150	37.5	17.0	1.7	230	60	4.8	3440		
	240/7	291				1.27	460	60	2.4	3440		
	230		9.06 230	40.8	18.5							
	300		11.81 300	43.0	19.5							
	380		14.96 380	45.2	20.5							
	470		18.50 470	47.4	21.5							
580		22.83 580	49.6	22.5								
SGL501S150	60/22	14.2	5.91 150	51.8	23.5	1.7	230	60	4.8	3440		
	240/7	361				1.27	460	60	2.4	3440		
	230		9.06 230	54.0	24.5							
	300		11.81 300	56.2	25.5							
	380		14.96 380	59.5	27.0							
	470		18.50 470	61.7	28.0							
	580		22.83 580	66.2	30.0							
	780		30.71 780	79.4	36.0							
	930		36.61 930	83.8	38.0							
	SGL502S220	60/55	17.3	8.46 215	88.2	40	3.4	230	60	8.8	3480	
240/16		439				2.55	460	60	4.4	3480		
300			11.61 295	90.4	41							
370			14.37 365	92.6	42							
450			17.52 445	94.8	43							
540			21.06 535	99.2	45							
650			25.39 645	103.6	47							
850			33.27 845	119.1	54							
1000			39.17 995	121.3	55							
SGL503S280		60/85	18.8	11.02 280	119.1	54	5.1	230	60	12.8	3520	
	240/24	478				3.8	460	60	6.4	3520		
	360		14.17 360	121.3	55							
	430		16.93 430	123.5	56							
	510		20.08 510	125.7	57							
	600		23.62 600	130.1	59							
	710		27.95 710	134.5	61							
	910		35.83 910	147.7	67							
	1060		41.73 1060	152.1	69							

Dimensions in Inches / mm
 *) Dimensions SGL501
 *) Dimensions SGL503



Quick Suctioning Immersion Pumps

of series TGL/SGL are equipped with the patented "BRINKMANN's Suction De-aeration System" and are excellently suited for pumping **extremely air entrained fluids** (grinding oils) as they occur in high-speed grinding.

The quick suctioning immersion pumps reach stable working conditions as soon as the liquid level reaches the suction inlet.

The SGL pumps are equipped with the user-friendly 45 degree (SAE) flange connection which allows for either vertical or horizontal pipe connection and the connection of a pressure gauge.

Applications

- Types of fluid
 - coolants
 - cooling/cutting oils
 - grinding oils
- Kinematic viscosity
 - ...200 SSU (...45 mm²/s)
- Pumping temperature
 - 30...175 °F (0...80 °C)

Construction

Pump body	cast iron
Cover	cast iron
Impeller axial	cast steel
Impeller radial	cast steel
Shaft	steel

