

# Quick Suctioning Immersion Pumps

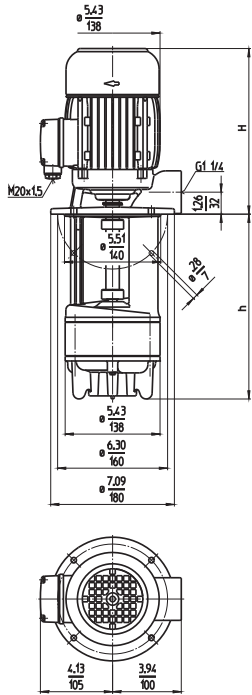


## TAL/SAL301...306

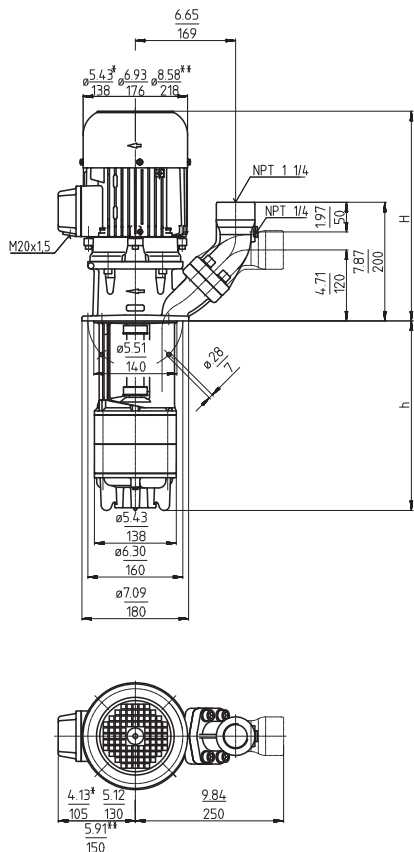


### Axial/semi-open impellers

#### TAL302



#### SAL301...306



Type	Flow at head	Height	Depth of immersion		Weight		Power	Voltage	Frequency	Current Speed	
	GPM /Feet	H inch	h inch	h mm	Lbs	kg	HP kW	V	Hz	AMPS	RPM
TAL302S190	40/43	11.5	7.48	190	45.2	20.5	1.7	230	60	4.8	3440
	270		10.63	270	46.3	21.0	1.27	460	60	2.4	3440
	340		13.39	340	47.4	21.5					
	420		16.54	420	49.6	22.5					
	510		20.08	510	52.9	24.0					
	620		24.41	620	56.2	25.5					
SAL301S140	40/32	13.1	5.51	140	48.5	22	1.15	230	60	3.70	3440
	220		8.66	220	50.7	23	0.86	460	60	1.85	3440
	290		11.42	290	52.9	24					
	370		14.57	370	55.1	25					
	460		18.11	460	59.5	27					
	570		22.44	570	68.4	31					
SAL302S190	40/43	14.2	7.48	190	58.4	26.5	1.7	230	60	4.8	3440
	270		10.63	270	60.6	27.5	1.27	460	60	2.4	3440
	340		13.39	340	62.8	28.5					
	420		16.54	420	66.2	30.0					
	510		20.08	510	69.5	31.5					
	620				73.9	33.5					
SAL303S240	40/80	15.0	9.45	240	81.6	37	2.3	230	60	6.2	3470
	320		12.60	320	83.8	38	1.75	460	60	3.1	3470
	390		15.35	390	86.0	39					
	470		18.50	470	88.2	40					
	560		22.05	560	90.4	41					
	670		26.38	670	94.8	43					
	870		34.25	870	108.0	49					
	1020		40.16	1020	112.5	51					
SAL304S290	40/108	17.3	11.42	290	101.4	46	2.9	230	60	7.8	3500
	370		14.57	370	103.6	47	2.18	460	60	3.9	3500
	440		17.32	440	105.8	48					
	520		20.47	520	110.2	50					
	610		24.02	610	112.5	51					
	720		28.35	720	116.9	53					
	920		36.22	920	130.1	59					
	1070		42.13	1070	134.5	61					
SAL305S340	40/140	17.3	13.39	340	112.5	51	3.9	230	60	10.2	3480
	420		16.54	420	114.7	52	2.94	460	60	5.1	3480
	490		19.29	490	116.9	53					
	570		22.44	570	119.1	54					
	660		25.98	660	121.3	55					
	770		30.31	770	125.7	57					
	970		38.19	970	141.1	64					
	1120		44.09	1120	145.5	66					
SAL306S390	40/170	18.8	15.35	390	141.1	64	5.1	230	60	12.8	3520
	470		18.50	470	143.3	65	3.8	460	60	6.4	3520
	540		21.26	540	145.5	66					
	620		24.41	620	147.7	67					
	710		27.95	710	149.9	68					
	820		32.28	820	154.4	70					
1020		40.16	1020	170	77						

Dimensions in Inches / mm  
 \*) Dimensions SAL301, 302  
 \*\*) Dimensions SAL306



**Quick Suctioning Immersion Pumps**

equipped with the patented "BRINKMANN's Suction De-aeration System" are excellently suited for pumping **extremely air entrained fluids** (emulsions resp. cooling/cutting oils) as they occur in heavy cutting when turning, milling or grinding. The quick suctioning immersion pumps reach stable working conditions as soon as the liquid level reaches the suction inlet.

The SAL pumps are equipped with the user-friendly 45 degree (SAE) flange connection which allows for either vertical or horizontal pipe connection and the connection of a pressure gauge.

**Applications**

- Types of fluid
  - coolants
  - cooling/cutting oils
- Kinematic viscosity
  - ...200 SSU (...45 mm<sup>2</sup>/s)
- Pumping temperature
  - 30...175 °F (0...80 °C)

**Construction**

Pump body	cast iron
Cover	cast iron
Impeller axial	cast steel
Impeller radial	brass
Shaft	steel
Optional: Impeller radial	cast steel

