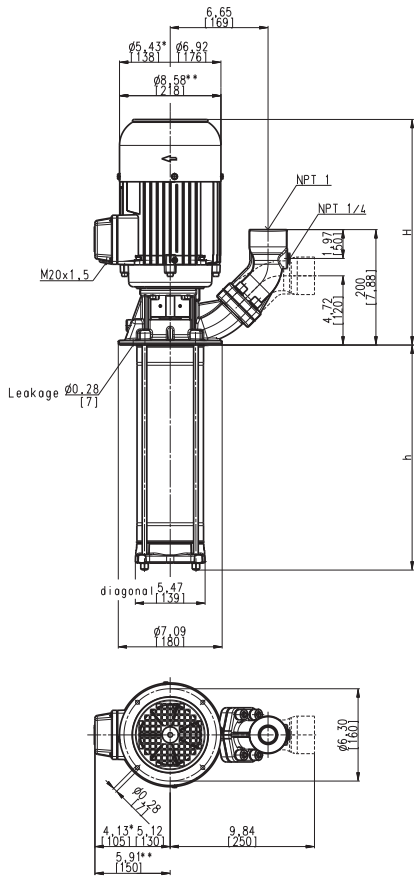


Immersion Pumps (S)TH6

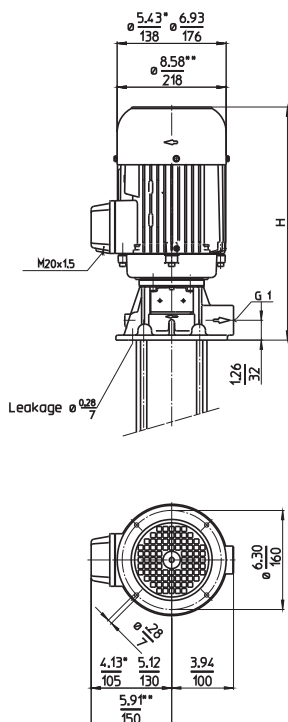
Closed impellers

60 Hz

STH603...624



TH603...624



Type	Flow at head	Height	Depth of im- mersion		Weight		Power	Voltage	Fre- quen- cy	Current Speed	
	GPM /Feet l/min /m	H inch mm	h inch	h mm	Lbs	kg	HP kW	V		AMPS	RPM
(S)TH603S190	20/95	13.1	7.48	190	37.0	16.8	1.15	230	60	3.70	3440
	80/28	332					0.86	460	60	1.85	3440
(S)TH604S190	20/120	13.1	7.48	190	38.6	17.5	1.4	230	60	4.2	3440
	80/38	332					1.06	460	60	2.1	3440
(S)TH605S240	20/150	14.1	9.45	240	40.8	18.5	1.7	230	60	4.8	3440
	80/48	359					1.27	460	60	2.4	3440
(S)TH606S240	20/185	15.0	9.45	240	55.1	25	2.3	230	60	6.2	3470
	80/58	381					1.75	460	60	3.1	3470
(S)TH607S290	20/220	16.0	11.42	290	63.9	29	2.6	230	60	7.0	3480
	80/68	407					1.95	460	60	3.5	3480
(S)TH608S290	20/255	17.3	11.42	290	70.6	32	2.9	230	60	7.8	3500
	80/78	439					2.18	460	60	3.9	3500
(S)TH609S340	20/285	17.3	13.39	340	77.2	35	3.4	230	60	8.8	3480
	80/88	439					2.55	460	60	4.4	3480
(S)TH610S340	20/330	17.3	13.39	340	79.4	36.0	3.9	230	60	10.2	3480
	80/98	439					2.94	460	60	5.1	3480
(S)TH611S390	20/358		15.35	390	80.7	36.6					
	80/108										
(S)TH612S390	20/395	17.0	15.35	390	105.8	48	4.6	230	60	12	3520
	80/118	432					3.45	460	60	6	3520
(S)TH613S490	20/420	17.0	19.29	490	110.0	49.9	5.1	230	60	12.8	3520
	80/128	432					3.8	460	60	6.4	3520
(S)TH614S490	20/455				110.5	50.1					
	80/139										
(S)TH615S490	20/490	17.0	19.29	490	114.2	51.8	6.1	230	60	15.8	3520
	80/149	432					4.55	460	60	7.9	3520
(S)TH616S490	20/520				115.3	52.3					
	80/159										
(S)TH617S590	20/555		23.23	590	116.4	52.8					
	80/168										
(S)TH618S590	20/580	18.2	23.23	590	125.2	56.8	7.7	230	60	19.0	3520
	80/178	462					5.75	460	60	9.5	3520
(S)TH619S590	20/615				125.5	56.9					
	80/188										
(S)TH620S590	20/645				125.7	57.0					
	80/198										
(S)TH621S690	20/675		27.17	690	126.1	57.2					
	80/206										
(S)TH622S690	20/705				126.3	57.3					
	80/214										
(S)TH623S690	20/735	18.2	27.17	690	134.5	61.0	8.4	230	60	20.8	3510
	80/222	462					6.3	460	60	10.4	3510
(S)TH624S690	20/765				134.9	61.2					
	80/232										

Dimensions in Inches / mm
 *) Dimensions (S)TH603...605
 **) Dimensions (S)TH612...624

Immersion Pumps

series TH and FH use closed impellers in order to minimize power consumption and to optimize hydraulic pump efficiencies.

In addition, the TH series offers high pressures at short immersion depths. Inline pumps of the series FH can be used as boosting pumps if provided with positive inlet pressure. This inlet pressure can be provided by the central coolant supply or a feed pump. In such a setup, pumps of the series FH can raise the incoming pressure by up to 375 PSI (26 bar).

Longer pump lengths and threaded inlets are available upon request.

Please see medium pressure pumps features in the Technical Information section of this catalog or call 248-926-9400 for details.

Applications

- Types of fluid
 - Industry water
 - coolants
 - cooling/cutting oils
- Kinematic viscosity
 - 4.6 SSU (1 mm²/s)
 - higher viscosity upon request
- Pumping temperature
 - 30...175 °F (0...80 °C)

Construction

Pump body	cast iron
Cover	cast iron
Impellers	CrNi-steel
Shaft	CrNi-steel
Diffusers	CrNi-steel
Mechanical seal	SiC
O-rings	Viton®
Optional:	
Pump body	bronze
	CrNi-steel
Cover	bronze
	CrNi-steel
Threaded inlet	G 1
Noise level (Motor only; Tolerance +3 dBA)	
(S)TH603...(S)TH605	61 dBA
(S)TH606...(S)TH611	66 dBA
(S)TH612...(S)TH624	75 dBA



Available Extended imm. depths:
790 mm (31.10"), 890 mm (35.04")

