

Horizontal End-Suction Pumps

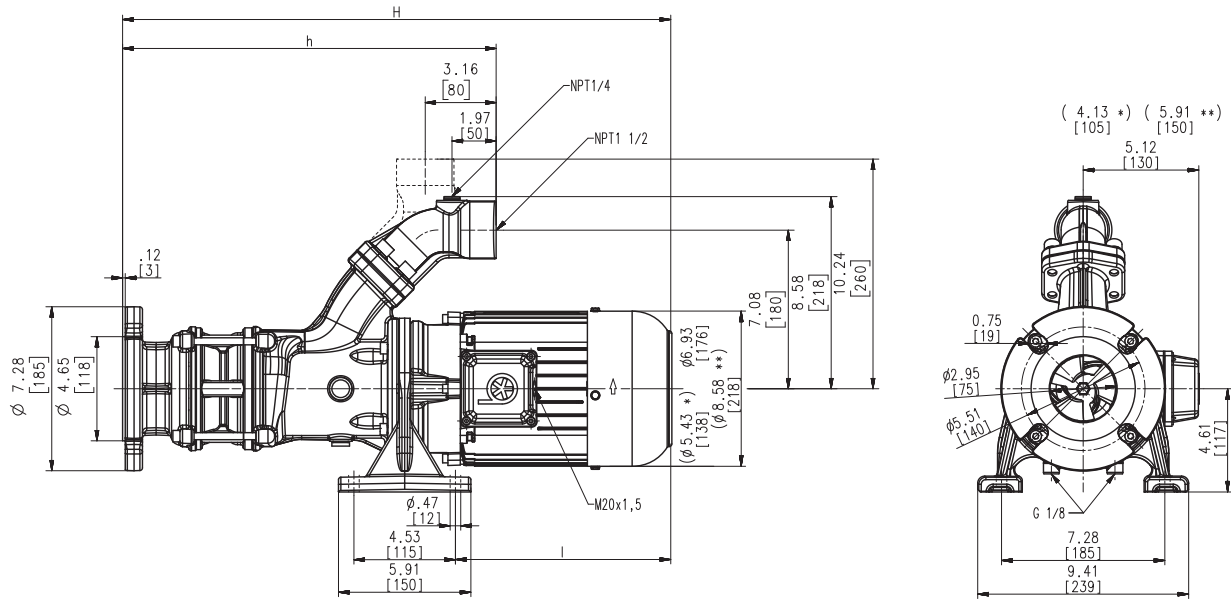
SBG501S...503S

Axial/semi-open impellers



60 Hz

SBG501S...503S



Dimensions in Inches / mm
 *) Dimensions SBG501S
 **) Dimensions SBG503S

Type	Flow at head	Dimensions		Length		Weight		Power	Voltage 3~	Fre- quen- cy	Current	Speed		
	GPM /Feet l/min /m	H inch	H mm	h inch	h mm	l Inch	l mm						Lbs	kg
SBG501S	60/30	20.6	524	14.2	360	8.3	211	68.4	31	1.7	230	60	4.8	3440
	240/9									1.27	460	60	2.4	3440
SBG502S	60/62	26.2	666	16.7	424	11.4	289	101.4	46	3.4	230	60	8.8	3480
	240/18									2.55	460	60	4.4	3480
SBG503S	60/90	30.3	769	19.2	488	12.9	328	132.3	60	5.1	230	60	12.8	3520
	240/25									3.8	460	60	6.4	3520



Horizontal End-Suction Pumps

are centrifugal inline pumps with a compact design where the impeller is mounted onto the extended motor shaft. These pumps are not self-priming and must be gravity fed. All pumps are equipped with a single mechanical seal. Upon request a second mechanical seal is available to allow for dry-running (-GD). This pump series is designed for horizontal installations next to a tank and for pumping **highly air entrained coolant and cutting oils**, as they occur in **high speed grinding applications**. The SBG pumps are equipped with the user-friendly **SAE flange** connection which allows for either vertical or horizontal pipe connection and the connection of a pressure gauge with NPT 1/4. For more information see mechanical features within the technical information section.



Applications

- Types of fluid
 - coolants
 - cooling/cutting oils
 - grinding oils
- Kinematic viscosity
 - ...200 SSU (...45 mm²/s)
- Pumping temperature
 - 30...175 °F (0...80 °C)

Construction

Pump body	cast iron
Cover	cast iron
Impeller axial	cast steel
Impeller radial	cast steel
Shaft	steel
Mechanical seal	SiC
Noise level (Motor only; Tolerance +3 dBA)	
SBG501S	70 dBA
SBG502S	73 dBA
SBG503S	75 dBA

