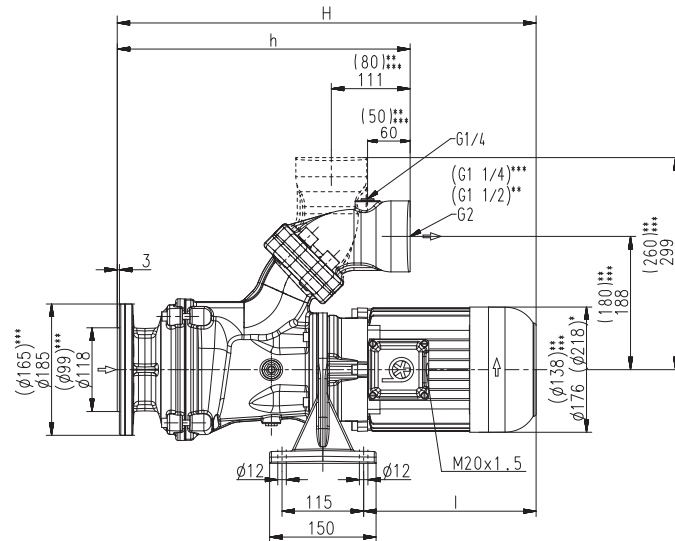


Horizontal End-Suction Pumps

SBF125...1150

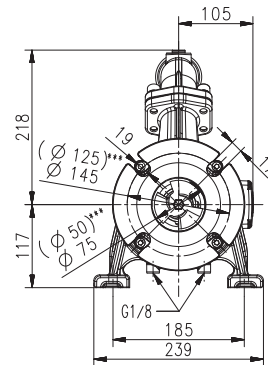
Axial/semi-open impellers

SBF125...1150

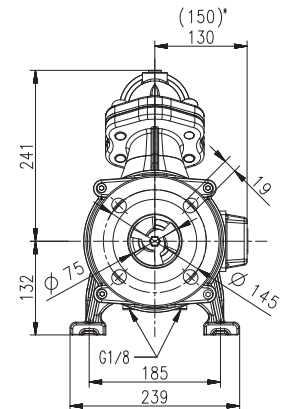


- *) Dimensions for SBF850,1150
- **) Dimensions for SBF550
- ***) Dimensions for SBF125

SBF125, 550



SBF650, 850, 1150



Type	Vol. del. at manom. del. head	Dimensions		Length	Weight	Power kW	Voltage 3~ V	Frequency Hz	Current A	Speed 1/min
	l/min /m	H mm	h mm	l mm	kg					
SBF125	80/6	497	359	184	28.5	0.63	220-240	50	2.70	2850
							380-415	50	1.56	2850
						0.725	460	60	1.46	3425
SBF550	250/4	524	360	211	30	1.1	220-240	50	4.33	2850
							380-415	50	2.50	2850
						1.27	460	60	2.4	3440
SBF650	400/7	632	409	289	55	2.2	220-240	50	7.8	2890
							380-415	50	4.5	2890
						2.55	460	60	4.4	3480
SBF850	500/10	675	413	328	67	3.3	220-240	50	11.6	2930
							380-415	50	6.7	2930
						3.8	460	60	6.4	3520
SBF1150	600/13	675	413	328	72	4.0	220-240	50	14.50	2920
							380-415	50	8.35	2920
						4.55	460	60	7.9	3520



Horizontal End-Suction Pumps

are centrifugal inline pumps with a compact design where the impeller is mounted onto the extended motor shaft. These pumps are not self-priming and must be gravity fed. The SBF125 pumps are equipped with double mechanical seal. The SBF550...1150 Pumps are equipped with a single mechanical seal. Upon request a second mechanical seal is available to allow for dry-running (-GD). This pump series is designed for horizontal installations next to a tank and for pumping **air entrained coolant fluids, such as water-soluble coolants (emulsions), as they occur in high speed machining applications, such as turning and milling.**

The SBF* pumps are equipped with the user-friendly 45 degree **flange** connection which allows for either vertical or horizontal pipe connection and the connection of a pressure gauge with G 1/4.

*) SBF125...550 with SAE flange.

For more information see lifting pumps features SFL/SBF within the technical information section.

Applications

Types of fluid
coolants
cooling/cutting oils
Max. chip to coolant ratio by weight:
1.0 % depending on the specific chip type
Chip material:
Aluminium, steel, coloured steels, cast iron
Kinematic viscosity
...45 mm²/s (45 cSt)
Pumping temperature
0...80° C

Construction

Pump body	cast iron
Cover	cast iron
Impeller axial	cast steel
Impeller radial	cast steel
Shaft	steel
Mechanical seal	SiC
Noise level	
SBF550	62 dBA
SBF125	64 dBA
SBF650	66 dBA
SBF850...SBF1150	71 dBA

