

Vertical End Suction Pumps

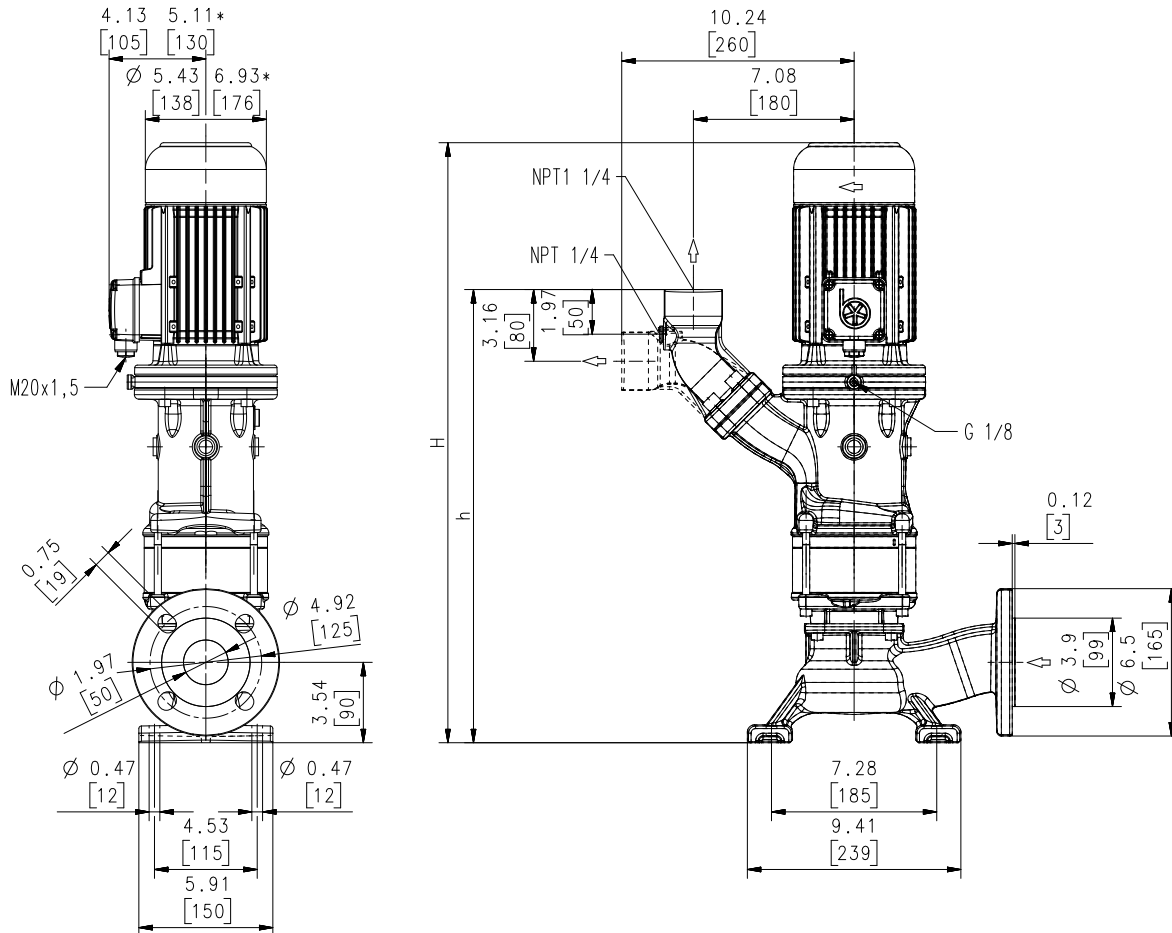
SBA141S...143S-V

Axial/semi-open impellers



60 Hz

SBA141S...143S-V



Dimensions in Inches / mm
*) Dimensions SBA143S -V

Type	Flow at head	Dimensions				Weight		Power	Voltage	Fre-	Current	Speed
	GPM /Feet l/min /m	H inch	H mm	h inch	h mm	Lbs	kg	HP kW	3~ V	quen- cy Hz	AMPS	RPM
SBA141S-V	25/30 100/9	23.4	594	18.0	457	71.7	32.5	1	208-230	60	3.02	3425
								0.725	460	60	1.46	3425
SBA142S-V	25/62 100/18	26.5	672	20.0	508	83.8	38	1.7	230	60	4.8	3440
								1.27	460	60	2.4	3440
SBA143S-V	25/94 100/28	25.7	751	17.5	542	103.6	47	2.6	230	60	7.0	3480
								1.95	460	60	3.5	3480



Vertical End Suction Pumps

are centrifugal inline pumps with a compact design where the impeller is mounted onto the extended motor shaft. These pumps are not self-priming and must be gravity fed. All pumps are equipped with double mechanical seal. This pump series is designed for vertical installations next to a tank and for pumping **air entrained coolant** fluids, such as **water-soluble coolants or cutting oils**, as they occur in **high speed turning, milling or grinding applications**. The SBA pumps are equipped with the user-friendly 45 degree **flange** connection which allows for either vertical or horizontal pipe connection and the connection of a pressure gauge with G 1/4. For more information see mechanical features within the technical information section.

Applications

- Types of fluid
 - coolants
 - cooling/cutting oils
- Kinematic viscosity
 - ...200 SSU (...45 mm²/s)
- Pumping temperature
 - 30...175 °F (0...80 °C)

Construction

Pump body	cast iron
Cover	cast iron
Impeller axial	cast steel
Impeller radial	cast steel
Shaft	steel
Mechanical seal	SiC
Noise level (Motor only; Tolerance +3 dBA)	
SBA141S-V...SBA142S-V	67 dBA
SBA143S-V	71 dBA

