

# Quick Suctioning Immersion Pumps

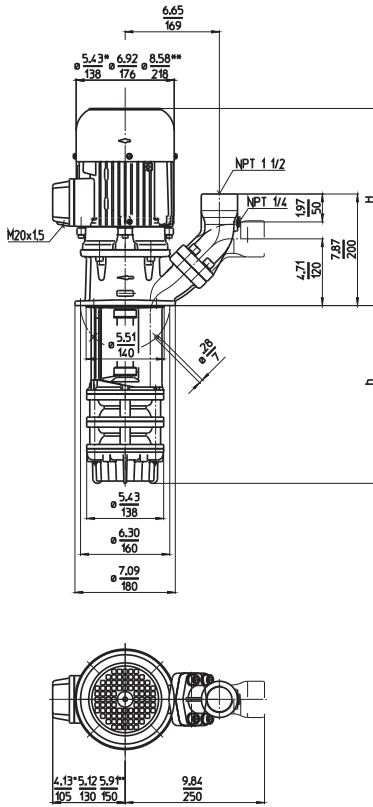


## SAL401...407



Axial/semi-open impellers

### SAL401...407



Dimensions in Inches / mm

\*) Dimensions SAL401

\*\*) Dimensions SAL405, 406, 407

Type	Flow at head		Height		Depth of immersion		Weight		Power HP kW	Voltage 3~ V	Fre- quen- cy Hz	Current Speed	
	GPM	/Feet	H inch	h inch	h mm	Lbs	kg	AMPS				RPM	
<b>SAL401S140</b>	60	30	13.1	5.51	140	48.5	22	1.3	230	60	4	3450	
220				8.66	220	50.7	23	0.98	460	60	2	3450	
290				11.42	290	52.9	24						
370				14.57	370	55.1	25						
460				18.11	460	59.5	27						
570				22.44	570	61.7	28						
770				30.31	770	77.2	35						
920				36.22	920	81.6	37						
<b>SAL402S190</b>	60	45	15.0	7.48	190	70.6	32	2	230	60	5.4	3500	
270				10.63	270	72.8	33	1.49	460	60	2.7	3500	
340				13.39	340	75.0	34						
420				16.54	420	77.2	35						
510				20.08	510	81.6	37						
620				24.41	620	83.8	38						
820				32.28	820	99.2	45						
970				38.19	970	103.6	47						
<b>SAL403S240</b>	60	68	17.3	9.45	240	90.4	41	2.9	230	60	7.8	3500	
320				12.60	320	92.6	42	2.18	460	60	3.9	3500	
390				15.35	390	94.8	43						
470				18.50	470	97.0	44						
560				22.05	560	99.2	45						
670				26.38	670	103.6	47						
870				34.25	870	116.9	53						
1020				40.16	1020	123.5	56						
<b>SAL404S290</b>	60	98	17.3	11.42	290	99.2	45	3.9	230	60	10.2	3480	
370				14.57	370	101.4	46	2.94	460	60	5.1	3480	
440				17.32	440	103.6	47						
520				20.47	520	108.0	49						
610				24.02	610	110.2	50						
720				28.35	720	114.7	52						
920				36.22	920	127.9	58						
1070				42.13	1070	132.3	60						
<b>SAL405S340</b>	60	120	18.8	13.39	340	127.9	58	5.1	230	60	12.8	3520	
420				16.54	420	130.1	59	3.8	460	60	6.4	3520	
490				19.29	490	132.3	60						
570				22.44	570	134.5	61						
660				25.98	660	136.7	62						
770				30.31	770	143.3	65						
970				38.19	970	156.6	71						
1120				44.09	1120	161.0	73						
<b>SAL406S390</b>	60	148	18.8	15.35	390	132.3	60	6.1	230	60	15.8	3520	
470				18.50	470	136.7	62	4.55	460	60	7.9	3520	
540				21.26	540	138.9	63						
620				24.41	620	141.1	64						
710				27.95	710	143.3	65						
820				32.28	820	147.7	67						
1020				40.16	1020	163	74						
<b>SAL407S440</b>	60	175	20.0	17.32	440	158.8	72	7.7	230	60	19.0	3520	
520				20.47	520	161.0	73	5.75	460	60	9.5	3520	
590				23.23	590	163	74						
670				26.38	670	168	76						
760				29.92	760	170	77						
870				34.25	870	174	79						



**Quick Suctioning Immersion Pumps**

equipped with the patented "BRINK-MANN's Suction De-aeration System" are excellently suited for pumping **extremely air entrained fluids** (emulsions resp. cooling/cutting oils) as they occur in heavy cutting when turning, milling or grinding. The quick suctioning immersion pumps reach stable working conditions as soon as the liquid level reaches the suction inlet.

The SAL pumps are equipped with the user-friendly 45 degree (SAE) flange connection which allows for either vertical or horizontal pipe connection and the connection of a pressure gauge.

**Applications**

- Types of fluid
  - coolants
  - cooling/cutting oils
- Kinematic viscosity
  - ...200 SSU (...45 mm<sup>2</sup>/s)
- Pumping temperature
  - 30...175 °F (0...80 °C)

**Construction**

Pump body	cast iron
Cover	cast iron
Impeller axial	cast steel
Impeller radial	brass
Shaft	steel
Optional: Impeller radial	cast steel

