

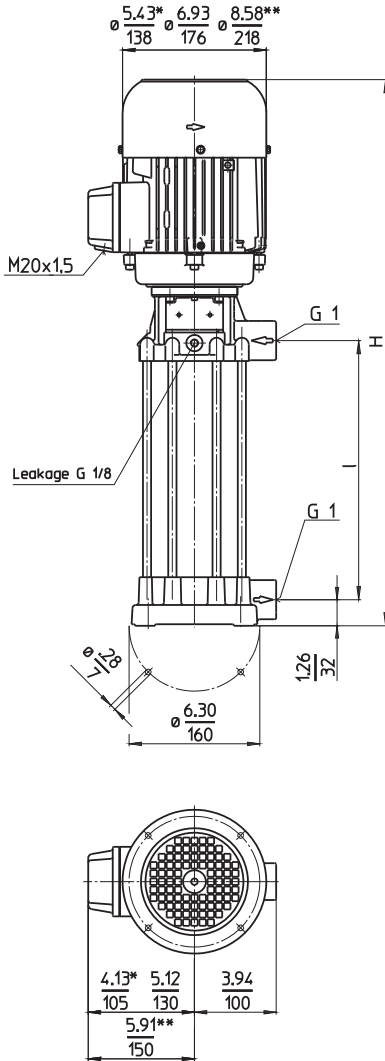
Pressure Boosting Pumps

FH6



Closed impellers

FH603...624



Dimensions in Inches / mm
 *) Dimensions FH603...FH605
 **) Dimensions FH612...FH624

| Type | Flow at head | Height | Length | | | Weight | | Power | Voltage | Fre- | Current | Speed |
|----------|-----------------------|--------------|--------|------|-------|--------|----------|---------|-------------------|------|---------|-------|
| | GPM /Feet l/min /m | H inch mm | l Inch | l mm | Lbs | kg | HP kW | 3~ V | quen- cy Hz | AMPS | RPM | |
| FH603S19 | 20/95 | 20.8 | 7.8 | 197 | 43.9 | 19.9 | 1.15 | 230 | 60 | 3.70 | 3440 | |
| | 80/28 | 529 | | | | | 0.86 | 460 | 60 | 1.85 | 3440 | |
| FH604S19 | 20/120 | 20.8 | 7.8 | 197 | 46.3 | 21 | 1.4 | 230 | 60 | 4.2 | 3440 | |
| | 80/38 | 529 | | | | | 1.06 | 460 | 60 | 2.1 | 3440 | |
| FH605S24 | 20/150 | 23.9 | 9.7 | 247 | 48.5 | 22 | 1.7 | 230 | 60 | 4.8 | 3440 | |
| | 80/48 | 606 | | | | | 1.27 | 460 | 60 | 2.4 | 3440 | |
| FH606S24 | 20/185 | 24.7 | 9.7 | 247 | 61.7 | 28 | 2.3 | 230 | 60 | 6.2 | 3470 | |
| | 80/58 | 628 | | | | | 1.75 | 460 | 60 | 3.1 | 3470 | |
| FH607S29 | 20/220 | 27.7 | 11.7 | 297 | 70.6 | 32 | 2.6 | 230 | 60 | 7.0 | 3480 | |
| | 80/68 | 704 | | | | | 1.95 | 460 | 60 | 3.5 | 3480 | |
| FH608S29 | 20/255 | 29.0 | 11.7 | 297 | 77.2 | 35 | 2.9 | 230 | 60 | 7.8 | 3500 | |
| | 80/78 | 736 | | | | | 2.18 | 460 | 60 | 3.9 | 3500 | |
| FH609S34 | 20/285 | 30.9 | 13.7 | 347 | 83.8 | 38 | 3.4 | 230 | 60 | 8.8 | 3480 | |
| | 80/88 | 786 | | | | | 2.55 | 460 | 60 | 4.4 | 3480 | |
| FH610S34 | 20/330 | 30.9 | 13.7 | 347 | 86.0 | 39.0 | 3.9 | 230 | 60 | 10.2 | 3480 | |
| | 80/98 | 786 | | | | | 2.94 | 460 | 60 | 5.1 | 3480 | |
| FH611S39 | 20/358 | 32.9 | 15.6 | 397 | 87.3 | 39.6 | | | | | | |
| | 80/108 | 836 | | | | | | | | | | |
| FH612S39 | 20/395 | 32.6 | 15.6 | 397 | 115.3 | 52.3 | 4.6 | 230 | 60 | 12 | 3520 | |
| | 80/118 | 829 | | | | | 3.45 | 460 | 60 | 6 | 3520 | |
| FH613S49 | 20/420 | 36.6 | 19.6 | 497 | 117.3 | 53.2 | 5.1 | 230 | 60 | 12.8 | 3520 | |
| | 80/128 | 929 | | | | | 3.8 | 460 | 60 | 6.4 | 3520 | |
| FH614S49 | 20/455 | | | | 118.0 | 53.5 | | | | | | |
| | 80/139 | | | | | | | | | | | |
| FH615S49 | 20/490 | 36.6 | 19.6 | 497 | 122.6 | 55.6 | 6.1 | 230 | 60 | 15.8 | 3520 | |
| | 80/149 | 929 | | | | | 4.55 | 460 | 60 | 7.9 | 3520 | |
| FH616S49 | 20/520 | | | | 123.0 | 55.8 | | | | | | |
| | 80/159 | | | | | | | | | | | |
| FH617S59 | 20/555 | 40.5 | 23.5 | 597 | 124.1 | 56.3 | | | | | | |
| | 80/168 | 1029 | | | | | | | | | | |
| FH618S59 | 20/580 | 41.7 | 23.5 | 597 | 133.0 | 60.3 | 7.7 | 230 | 60 | 19.0 | 3520 | |
| | 80/178 | 1059 | | | | | 5.75 | 460 | 60 | 9.5 | 3520 | |
| FH619S59 | 20/615 | | | | 133.2 | 60.4 | | | | | | |
| | 80/188 | | | | | | | | | | | |
| FH620S59 | 20/645 | | | | 133.4 | 60.5 | | | | | | |
| | 80/198 | | | | | | | | | | | |
| FH621S69 | 20/675 | 45.6 | 27.4 | 697 | 134.9 | 61.2 | | | | | | |
| | 80/206 | 1159 | | | | | | | | | | |
| FH622S69 | 20/705 | | | | 135.2 | 61.3 | | | | | | |
| | 80/214 | | | | | | | | | | | |
| FH623S69 | 20/735 | 45.6 | 27.4 | 697 | 142.2 | 64.5 | 8.4 | 230 | 60 | 20.8 | 3510 | |
| | 80/222 | 1159 | | | | | 6.3 | 460 | 60 | 10.4 | 3510 | |
| FH624S69 | 20/765 | | | | 142.7 | 64.7 | | | | | | |
| | 80/232 | | | | | | | | | | | |



Pressure Boosting Pumps

series TH and FH use closed impellers in order to minimize power consumption and to optimize hydraulic pump efficiencies.

In addition, the TH series offers high pressures at short immersion depths. Inline pumps of the series FH can be used as boosting pumps if provided with positive inlet pressure. This inlet pressure can be provided by the central coolant supply or a feed pump. In such a setup, pumps of the series FH can raise the incoming pressure by up to 375 PSI (26 bar).

A frequency alternator can be supplied for special applications or for matching the pump characteristic to a specific duty point. See page "Control/Regulation" in the Technical Information section of this catalog for further information.

Applications

- Types of fluid
 - Industry water
 - coolants
 - cooling/cutting oils
- Kinematic viscosity
 - 4.6 SSU (1 mm²/s)
 - higher viscosity upon request
- Pumping temperature
 - 30...175 °F (0...80 °C)

Construction

| | |
|--|------------|
| Pump body | cast iron |
| Cover | cast iron |
| Impellers | CrNi-steel |
| Shaft | CrNi-steel |
| Diffusers | CrNi-steel |
| Mechanical seal | SiC |
| O-rings | Viton® |
| Optional: | |
| Pump body | bronze |
| Cover | bronze |
| Noise level (Motor only; Tolerance +3 dBA) | |
| FH603...FH605 | 61 dBA |
| FH606...FH611 | 66 dBA |
| FH612...FH624 | 75 dBA |

