

BRASS CAM-LOCK COUPLERS (2261-2268)



Size : DN 15 to DN 100
Ends : Female , Male and hose coupling
Min Temperature : - 10°C
Max Temperature : + 60°C
Max Pressure : 16 Bars
Specifications : Brass
NBR gasket
According to MIL-C-27487

Materials : Brass

BRASS CAM-LOCK COUPLERS (2261-2268)

SPECIFICATIONS :

- Brass
- NBR gasket (only for couplers)
- According to MIL-C-27487

USE :

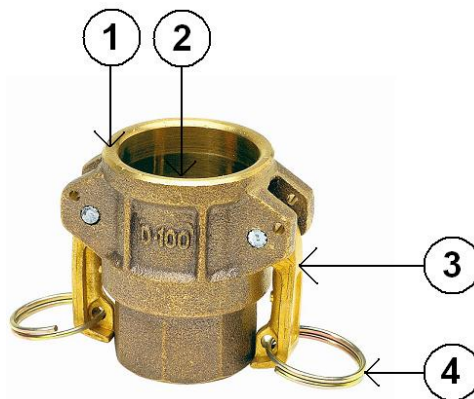
- For all common fluids
- Min and max Temperature Ts : - 10°C to + 60°C
- Max Pressure PN : See the table thereafter

DN	1/2"	3/4"	1"	1"1/4	1"1/2	2"	2"1/2	3"	4"
PN (Bar)	11	16	16	16	16	16	11	9	7

RANGE :

- Female adapter type A **Ref.2261** DN 1/2" to DN 4"
- Male coupler type B **Ref.2262** DN 1/2" to DN 4"
- Hose coupler type C **Ref.2263** DN 1/2" to DN 4"
- Female coupler type D **Ref.2264** DN 1/2" to DN 4"
- Hose adapter type E **Ref.2265** DN 1/2" to DN 4"
- Male adapter type F **Ref.2266** DN 1/2" to DN 4"
- Cap coupler type DC **Ref.2267** DN 1/2" to DN 4"
- Plug adapter type DP **Ref.2268** DN 1/2" to DN 4"
- **Other gasket on demand : EPDM , FKM or PTFE**

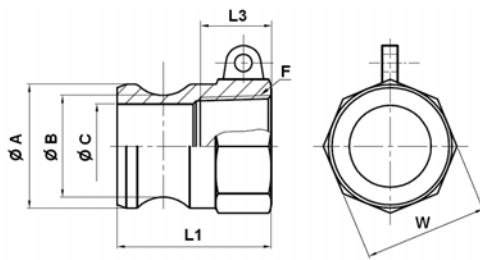
MATERIALS:



Item	Designation	Materials DN 1/2" – 1"	Materials DN 1"1/4 – 4"
1	Body	Brass	Brass
2	Gasket	NBR	NBR
3	Cam	Stainless steel	Brass
4	Ring	Brass	Brass

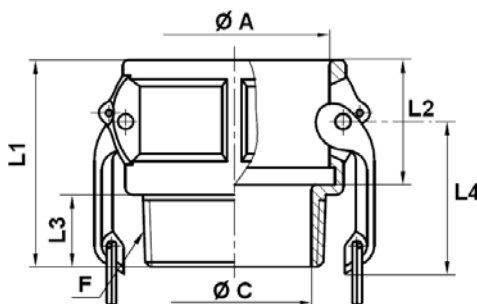
BRASS CAM-LOCK COUPLERS (2261-2268)
SIZE (in mm) :

- Female Adapter type A Ref.2261



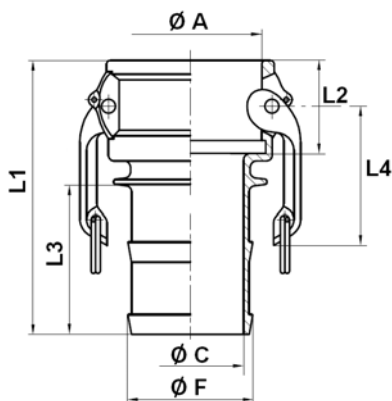
REF.	DN	1/2"	3/4"	1"	1"1/4	1"1/2	2"	2"1/2	3"	4"
2261	F	1/2"	3/4"	1"	1"1/4	1"1/2	2"	2"1/2	3"	4"
	Ø A	24	32.4	36.7	45.5	53.5	63	75.8	91.5	119.5
	Ø B	18.2	26.2	29	35.2	43.1	52.5	64.6	81	106
	Ø C	14.5	22.7	25.4	31	38.5	47.5	59	75	102.4
	L1	36.5	36.5	44.5	51	54	60.5	66	67	72
	L3	14	16	20	21	23	26	29	30	33
	W on flat	26.5	32.5	37.5	47	54.5	65	80	94	120
	Weig. (Kg)	0.08	0.11	0.15	0.21	0.3	0.42	0.81	0.77	1.29

- Male coupler type B Ref.2262



REF.	DN	1/2"	3/4"	1"	1"1/4	1"1/2	2"	2"1/2	3"	4"
2262	F	1/2"	3/4"	1"	1"1/4	1"1/2	2"	2"1/2	3"	4"
	Ø A	24.3	32.5	37.3	46	54	63.8	76.5	92.2	120.2
	Ø C	12.8	19.5	25.4	34	40	50.5	63.5	76	100
	L1	45.8	45	55.5	62.5	65.5	71	83	84	92
	L2	27	29	36	42	42	47.5	50	51	52
	L3	15	14.5	18	24	20	23	28	31	36
	L4	34	34	42	59	59	59	59	70	70
	Weig. (Kg)	0.18	0.21	0.33	0.53	0.56	0.68	1.1	1.35	2.19

- Hose coupler type C Ref.2263

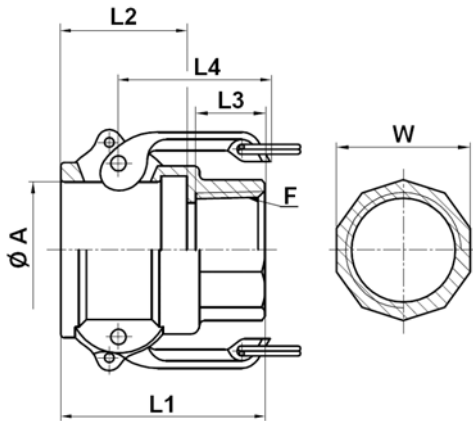


REF.	DN	1/2"	3/4"	1"	1"1/4	1"1/2	2"	2"1/2	3"	4"
2263	Ø F	15	21.4	27.3	34	40.4	53	66.7	79	104.5
	Ø A	24.3	32.5	37.3	46	54	63.8	76.5	92.2	120.2
	Ø C	8	15	21.4	27	33.7	45	58.4	69.5	94
	L1	64	82	91.5	98	103	117	145	151.5	159
	L2	27	29	36	42	42	47.5	50	51	52
	L3	30	50	52	55	59	67	87	97	107
	L4	34	34	42	59	59	59	59	70	70
	Weig. (Kg)	0.17	0.24	0.37	0.56	0.61	0.78	1.22	1.48	2.95

BRASS CAM-LOCK COUPLERS (2261-2268)

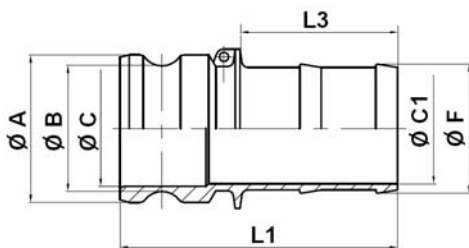
SIZE (in mm) :

- Female coupler type D Ref.2264



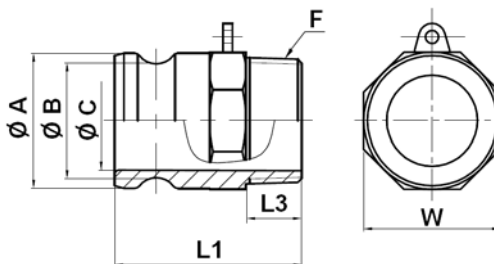
REF.	DN	1/2"	3/4"	1"	1"1/4	1"1/2	2"	2"1/2	3"	4"
2264	F	1/2"	3/4"	1"	1"1/4	1"1/2	2"	2"1/2	3"	4"
	Ø A	24.3	32.5	37.3	46	54	63.8	76.5	92.2	120.2
	L1	43	45	54	61	63	72	82.5	85.5	90
	L2	27	29	36	42	42	47.5	50	51	52
	L3	15	18	20	20	25	23	29	31	35
	L4	34	34	42	59	59	59	59	70	70
	W on flat	26	31	37.5	46.5	54	65	80	93.5	120
	Weig. (Kg)	0.09	0.23	0.34	0.56	0.67	0.74	0.99	1.39	2.42

- Hose adapter type E Ref.2265



REF.	DN	1/2"	3/4"	1"	1"1/4	1"1/2	2"	2"1/2	3"	4"
2265	Ø F	15.1	21.5	27.3	34	40.4	53	66.7	79.3	104.7
	Ø A	24	32.4	36.7	45.5	53.5	63	75.8	91.5	119.5
	Ø B	18.2	26.2	29	35.2	43.1	52.5	64.6	81	106
	Ø C	14.5	22.7	25.4	31	38.5	47.5	59	75	102.4
	Ø C1	8.5	15	21.4	27.3	33.7	46	58.5	69.5	94
	L1	70	86	101	106	112	128	138	160	163
	L3	44	50	55	56	58	67	78	99	108
	Weig. (Kg)	0.11	0.18	0.29	0.35	0.47	0.71	1.14	1.37	2.45

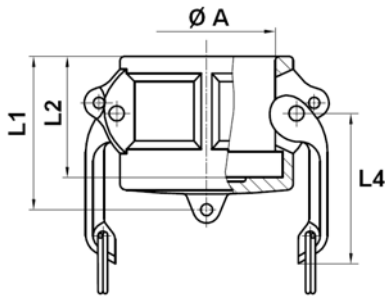
- Male adapter type F Ref.2266



REF.	DN	1/2"	3/4"	1"	1"1/4	1"1/2	2"	2"1/2	3"	4"
2266	F	1/2"	3/4"	1"	1"1/4	1"1/2	2"	2"1/2	3"	4"
	Ø A	24	32.4	36.7	45.5	53.5	63	75.8	91.5	119.5
	Ø B	18.2	26.2	29	35.2	43.1	52.5	64.6	81	106
	Ø C	14.5	22.7	25.4	31	38.5	47.5	59	75.3	102.4
	L1	51.4	51.5	62	70	73.5	82.5	94	97	110
	L3	14	18	19	21	18	20	28	29	36
	W on flat	25.4	32.5	38	46	54	64	78	93	120
	Weig. (Kg)	0.09	0.14	0.2	0.29	0.36	0.57	0.9	1.21	1.94

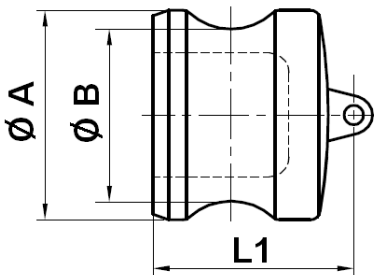
BRASS CAM-LOCK COUPLERS (2261-2268)
SIZE (in mm) :

- Cap coupler type DC Ref.2267



REF.	DN	1/2"	3/4"	1"	1"1/4	1"1/2	2"	2"1/2	3"	4"
2267	Ø A	24.3	32.5	37.3	46	54	63.8	76.5	92.2	120.2
	L1	33	35.4	41.7	47.6	51	56.3	60.5	63.9	64.5
	L2	27	29	36	42	42	47.5	50	51	52
	L4	34	34	42	59	59	59	59	70	70
	Weig. (Kg)	0.19	0.3	0.47	0.57	0.56	0.67	0.83	1.12	2.49

- Cap adapter type DP Ref.2268



REF.	DN	1/2"	3/4"	1"	1"1/4	1"1/2	2"	2"1/2	3"	4"
2268	Ø A	24	32.4	36.7	45.5	53.5	63	75.8	91.5	119.5
	Ø B	18.2	26.2	29	35.2	43.1	52.5	64.6	81	106
	L1	31	30.3	37.4	43	44.2	49.6	53.3	56.3	58
	Weig. (Kg)	0.06	0.1	0.16	0.24	0.32	0.44	0.57	0.77	1.33

STANDARDS :

- Fabrication according to ISO 9001 : 2008
- Directive 97/23/CE : Products excluded from directive (Article 1, § 3.2)
- Designing according to MIL-C-27487 and A-A 59326
- Threaded BSP according to NF EN ISO 228-1

ADVICE : Our opinion and our advice are not guaranteed and SFERACO shall not be liable for the consequences of damages. The customer must check the right choice of the products with the real service conditions.