

BRASS CHECK VALVE



ISO 9001:2000

Size : DN 3/8" to 4"
Ends : Female BSP
Min Temperature : - 10°C
Max Temperature : + 100°C
Max Pressure : 16 Bars
Specifications : All positions
Female / Female
Nylon throttle

Materials : Brass body

BRASS CHECK VALVE

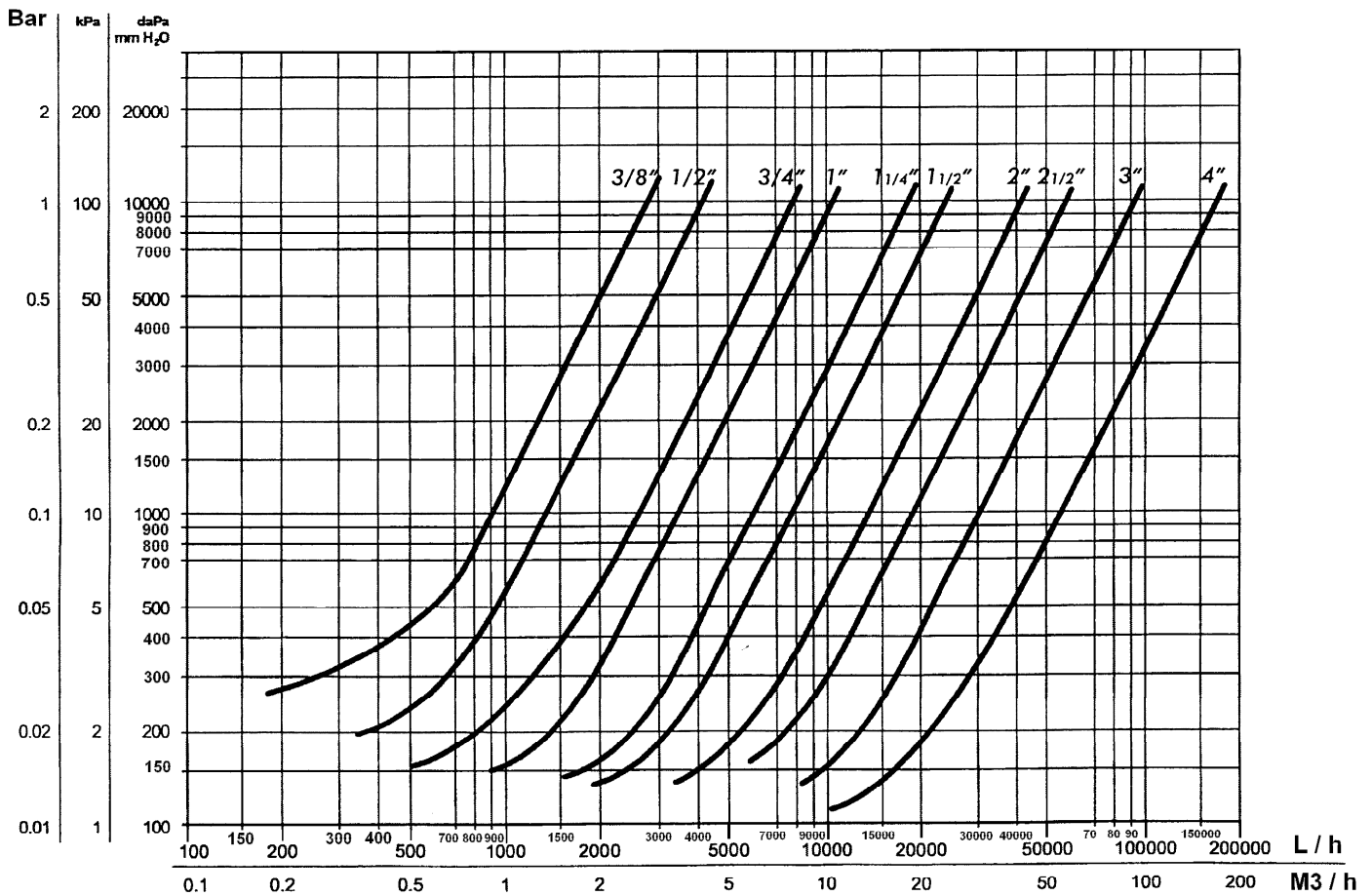
SPECIFICATIONS :

- All positions (respect the flow direction indicated by the arrow)
- Female / female type
- Nylon throttle

USE :

- For all common fluids
- Min Temperature Ts : - 10°C
- Max Temperature Ts :+ 100°C
- Max Pressure Ps : 16 bars up to DN 1" , 10 bars DN 1"1/4 to 2" and 8 bars over

HEAD LOSS :



BRASS CHECK VALVE

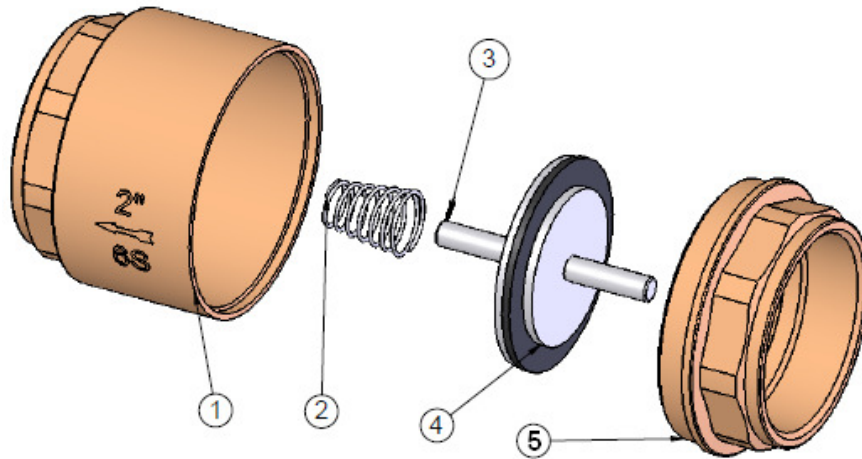
OPENING PRESSURE :

- Opening pressure between 20 and 200 mbar

RANGE :

- Threaded female BSP cylindric DN 3/8" to DN 4"

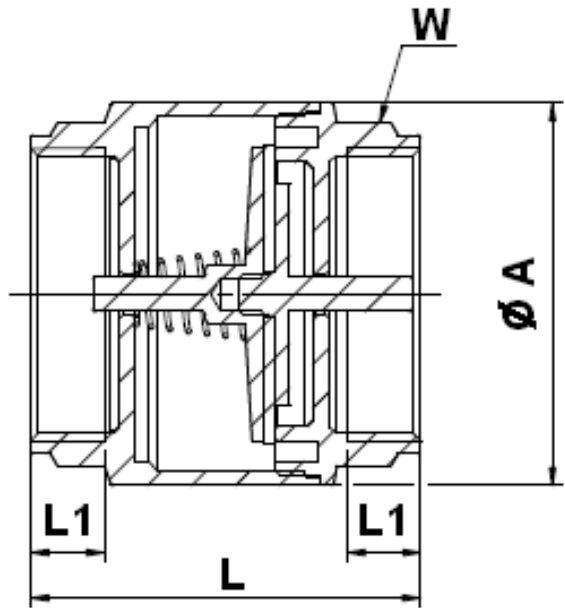
MATERIALS:



| Item | Designation | Materials |
|------|-------------|--------------------------------------|
| 1 | Body | Brass CW 617 N according to EN 12165 |
| 2 | Spring | SS 304 |
| 3 | Throttle | Nylon |
| 4 | Gasket | NBR |
| 5 | Bonnet | Brass CW 617 N according to EN 12165 |

BRASS CHECK VALVE

SIZE (in mm) :



| | DN | 3/8" | 1/2" | 3/4" | 1" | 1"1/4 | 1"1/2 | 2" | 2"1/2 | 3" | 4" |
|-------------------------------|---------------|-------|-------|-------|-------|-------|-------|-------|-------|-------|-------|
| Ref. 306 | Ø A | 30 | 30 | 37 | 44.5 | 55 | 62 | 78 | 97 | 111 | 140 |
| | L | 41.5 | 47.5 | 51 | 58 | 64 | 71 | 79.5 | 94 | 102 | 123 |
| | L1 | 9 | 11 | 11 | 12 | 14 | 16 | 15 | 20 | 22 | 23.5 |
| | W | 19.5 | 24.5 | 30 | 37 | 47 | 53.5 | 67 | 82 | 95 | 120 |
| | Weight (Kg) | 0.092 | 0.111 | 0.156 | 0.251 | 0.36 | 0.49 | 0.784 | 1.265 | 1.731 | 2.751 |

BRASS CHECK VALVE**STANDARDS :**

- Fabrication according to ISO 9001 :2000
- DIRECTIVE 97/23/CE : Concerned by article 3, § 3
- French water agreement **A.C.S. N° 06 ACC LY 319**
- Threaded female BSP cylindric

ADVICE : Our opinion and our advice are not guaranteed and SFERACO shall not be liable for the consequences of damages.
The customer must check the right choice of the products with the real service conditions.