

STAINLESS STEEL THREADED BALL CHECK VALVE PN16



Size : DN 1“1/4 to 2“
Ends : Threaded female BSP
Min Temperature : + 0°C
Max Temperature : + 150°C
Max Pressure : 16 Bars
Specifications : Ball type
Vertical or horizontal positions
With bolted bonnet

Materials : Stainless steel

STAINLESS STEEL THREADED BALL CHECK VALVE PN16

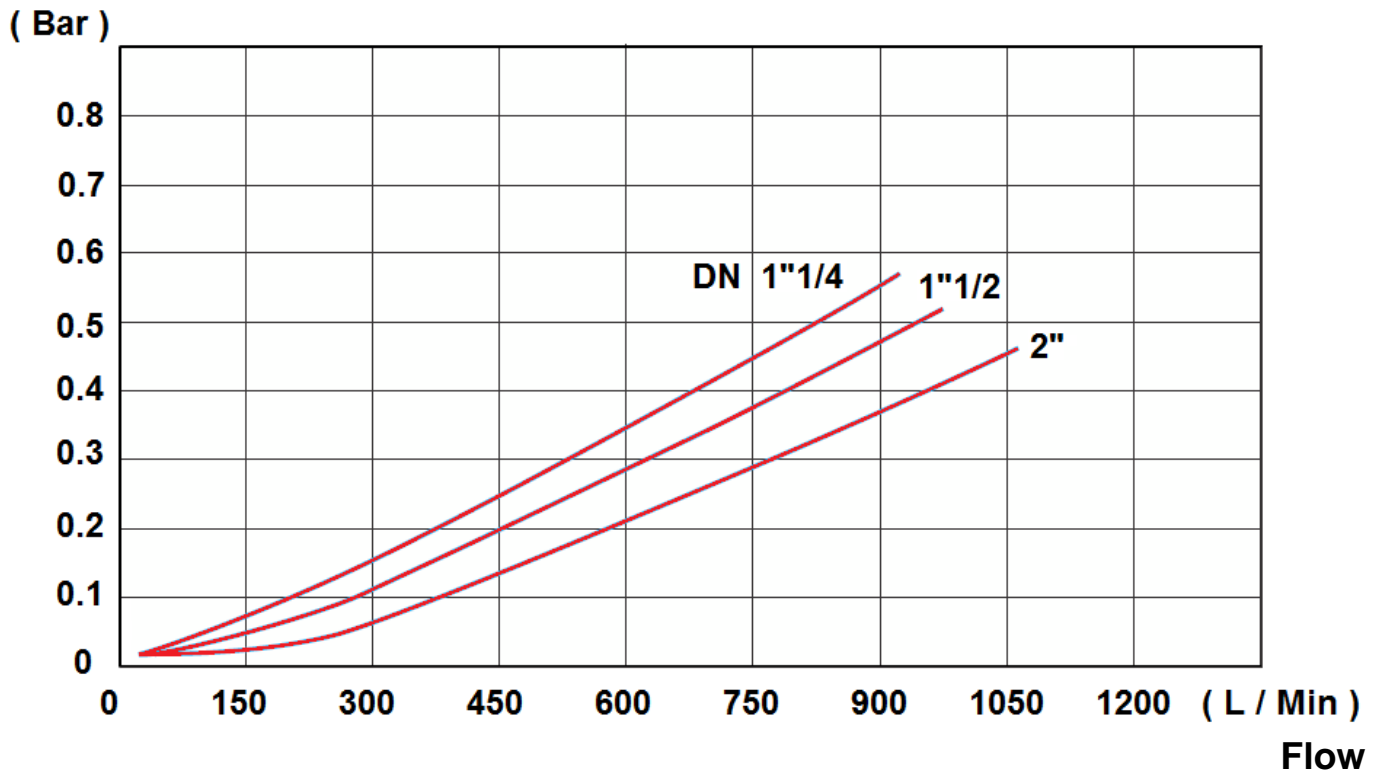
SPECIFICATIONS :

- Ball type
- Vertical position with ascendant fluid or horizontal position (respect the flow direction indicated by the arrow)
- Female / female threaded
- Bolted bonnet
- SS 316 body
- FPM gasket
- Check valve tested individually at 3 bars of compressed air

USE :

- Waste water, viscous and dense fluids
- Min Temperature Ts : + 0°C
- Max Temperature Ts :+ 150°C
- Max Pressure PN : 16 bars

HEAD LOSS GRAPH :

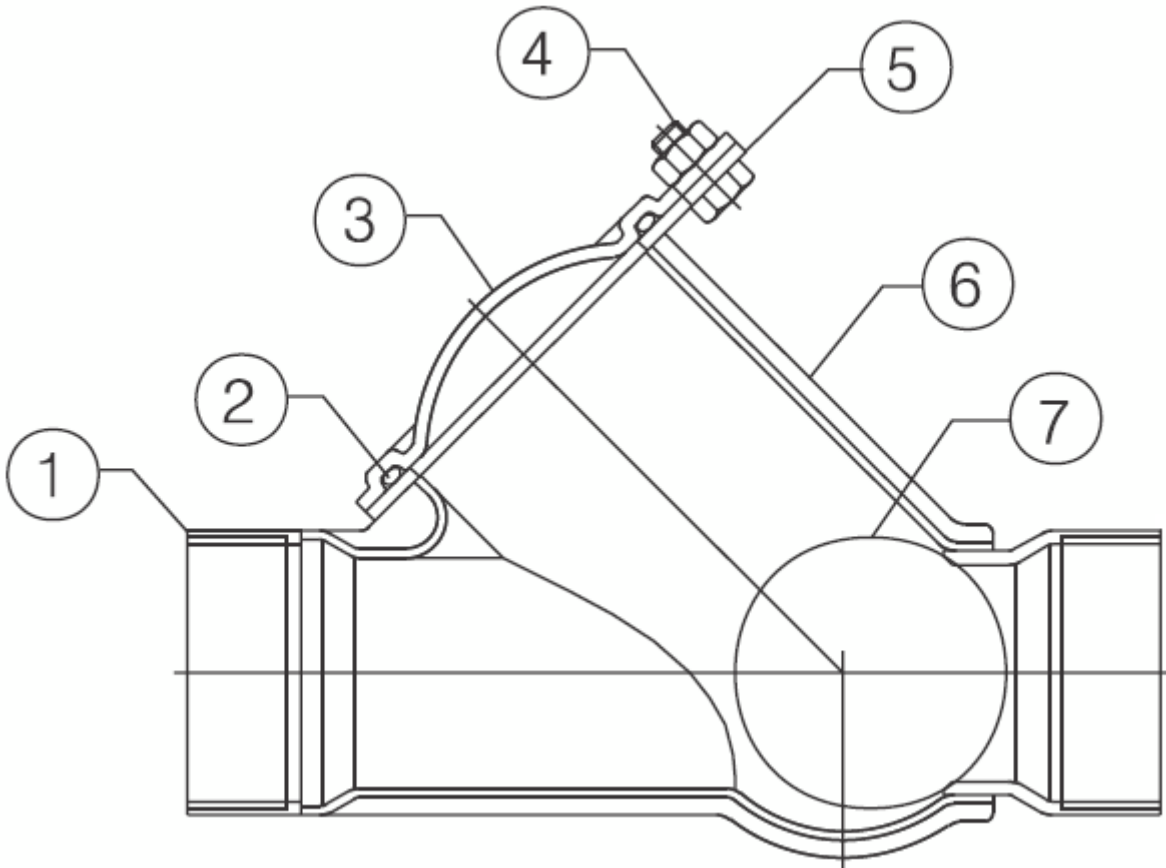


RANGE :

- Female / female threaded cylindrical BSP Ref. 339 from DN1 1/4 to 2"

STAINLESS STEEL THREADED BALL CHECK VALVE PN16

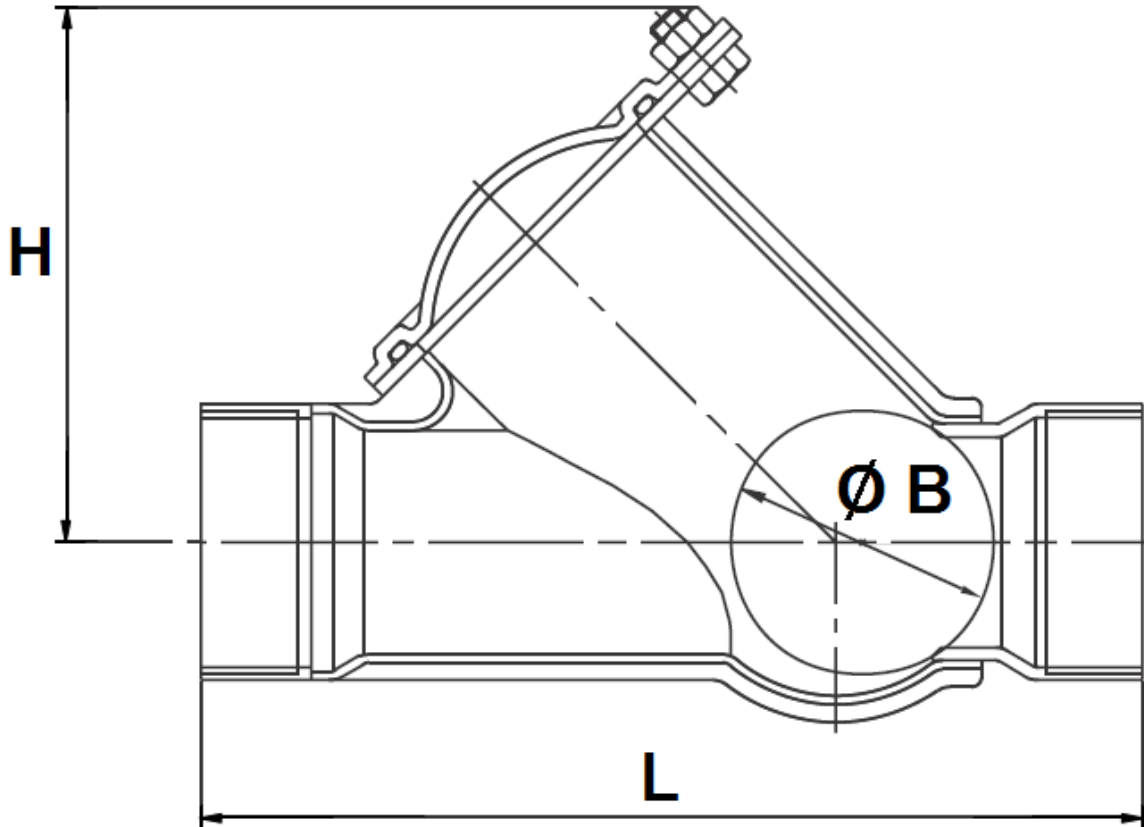
MATERIALS :



Item	Designation	Materials
1	Nipple	ASTM A182 F316
2	Bonnet gasket	FPM
3	Bonnet	ASTM A182 F316
4	Bolting	ASTM A182 F316
5	Collar	ASTM A182 F316
6	Body	ASTM A182 F316
7	Ball	Aluminium FPM coated

STAINLESS STEEL THREADED BALL CHECK VALVE PN16

SIZE (in mm) :



Ref.	DN	1"1/4	1"1/2	2"
339	L	175	190	210
	H	99	99	112
	Ø B	50	50	60
	Weight (in Kg)	1.100	1.180	1.610

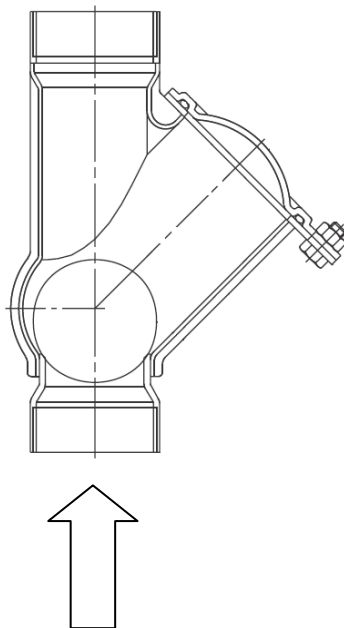
STAINLESS STEEL THREADED BALL CHECK VALVE PN16

STANDARDS :

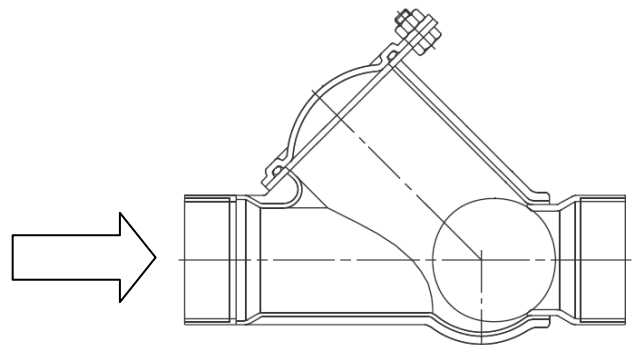
- DIRECTIVE 97/23/CE : Products excluded from directive (Article 1, § 3.2)
- Cylindrical female BSP threaded according to ISO 228-1

INSTALLATION POSITIONS :

Vertical position (Ascendant fluid)



Horizontal position



ADVICE : Our opinion and our advice are not guaranteed and SFERACO shall not be liable for the consequences of damages.
The customer must check the right choice of the products with the real service conditions.

STAINLESS STEEL THREADED BALL CHECK VALVE PN16

INSTALLATION INSTRUCTIONS

GENERAL GUIDELINES :

- Ensure that the check valves to be used are appropriate for the conditions of the installation (type of fluid, pressure and temperature).
- Be sure to have enough valves to be able to isolate the sections of piping as well as the appropriate equipment for maintenance and repair.
- Ensure that the valves to be installed are of correct strength to be able to support the capacity of their usage.

INSTALLATION INSTRUCTIONS :

- **Before installing the check valves, clean and remove any objects from the pipes** (in particular bits of sealing and metal) which could obstruct and block the valves.
- **Ensure that both connecting pipes either side of the check valve (upstream and downstream) are aligned (if they're not, the valves may not work correctly).**
- **Make sure that the two sections of the pipe (upstream and downstream) match, the check valve unit will not absorb any gaps. Any distortions in the pipes may affect the tightness of the connection, the working of the check valve and can even cause a rupture.** To be sure, place the kit in position to ensure the assembling will work.
- Before starting the fitting, ensure that the threads and tapping are clean.
- **If sections of piping do not have their final support in place, they should be temporarily fixed. This is to avoid unnecessary strain on the check valve.**
- The theoretical lengths given by ISO/R7 for the tapping are typically longer than required, the length of the thread should be limited, and **check that the end of the tube does not press right up to the head of the thread.**
- When screwing the check valve, ensure that you only rotate on screwed side by the 6 ended side. Use an open ended spanner or an adjustable spanner and not a monkey wrench.
- **Never use a vice to tighten the fixings of the check valve.**
- Do not over tighten the check valve. Do not block with any extensions as it may cause a rupture or weakening of the casing.
- If there is a direction changing or if there's another material, it's better to take away the check valve so that it is outside the turbulence area (**between 3 and 5 times the ND before and after**).
- After a pump please refer to norm NF CR 13932 to install the check valve.