

COBRA-SCBS

BS Cast Steel Check Valves

PN 16

DN 50 - 300



Applications

- Water supply, Treatment, Distribution, Sewage, Irrigation
- Potable water, sea water, air, gas, oil
- Other applications on request

Operating data

- Maximum allowable pressure 16 bar
- Maximum allowable temperature + 300°C
- Pressure/Temperature ratings per EN 1092-2

Materials

- Body : ductile iron EN-GJS-500-7, JS 1050
- Cover : ductile iron EN-GJS-500-7, JS 1050
- Disc : ductile iron EN-GJS-500-7, JS 1050
- Body seat : GUN METAL

Design

- Check valve design to BS 5153
- End-End dimensions according to BS5153
- Flange dimensions to EN 1092-2
- Testing to EN 12266-1
- Bolted bonnet
- Stainless steel/graphite gaskets

Standard variants

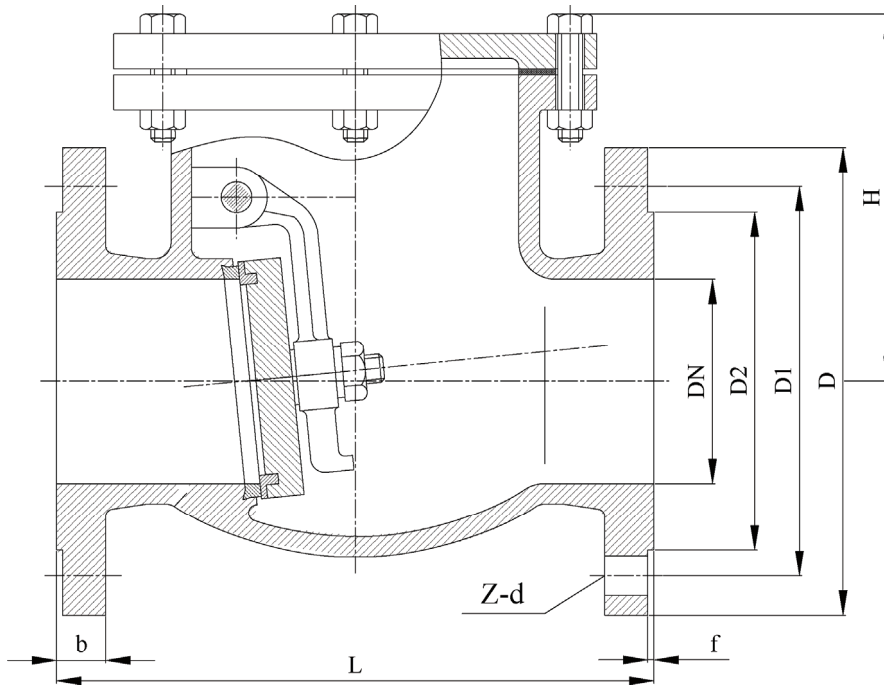
- Other materials
- Larger sizes
- Flange according BS10 table E
- Other variants

Benefits at a glance

- Valve seat made of wear and corrosion-resistant materials: long reliability, long life
- Fully encapsulated gasket: secured sealing due to effective compression
- Disc protected against rotation: prevents from accelerated wear and noise, safety
- Hex nut secured: no unintended unfastening

Other DN's, materials, variants,? Please contact us for your personal quotation

Overall dimensions



Standard Model

DN	PN	Dimensions (mm)								Z	Weight (kg)			
		L	H	D	D1	D2	d	b	f					
50	16	203	136	165	125	99	18	19	3	4	15			
65		216	147	185	145	118					18	19	3	18
80		241	158	200	160	132				22	20	3	8	21
100		292	184	220	180	156								22
125		330	212	250	210	184	26	22	3	12	44			
150		356	227	285	240	211					26	22	3	57
200		495	263	340	295	266	26	24.5	4	12	108			
250		622	304	405	355	317					26	24.5	4	176
300		698	335	460	410	370					26	24.5	4	198

