



ANSI check valves forged steel

Bolted cover

Threaded and Socket weld ends

**Class 800
1/2" – 2"**

Applications

- Refineries, power stations, process and general industry
- For water, steam, gas, oil, and other media
- Other applications on request

Operating Data

- Maximum allowable pressure 105 bar
- Maximum allowable temperature 816°C
- Temperature below 0°C on request

Materials

- ASTM A105 up to 800°F (425°C)
- ASTM A182 F11 up to 1100°F (593°C)
- ASTM A182 F22 up to 1100°F (593°C)
- ASTM A182 F304 up to 1500°F (816°C)
- ASTM A182 F316 up to 1500°F (816°C)

Trim Materials

- Trim 1 13Cr/13Cr
- Trim 2 304/304
- Trim 5 Stellite/Stellite
- Trim 8 Stellite/13Cr
- Trim 10 316/316

Design

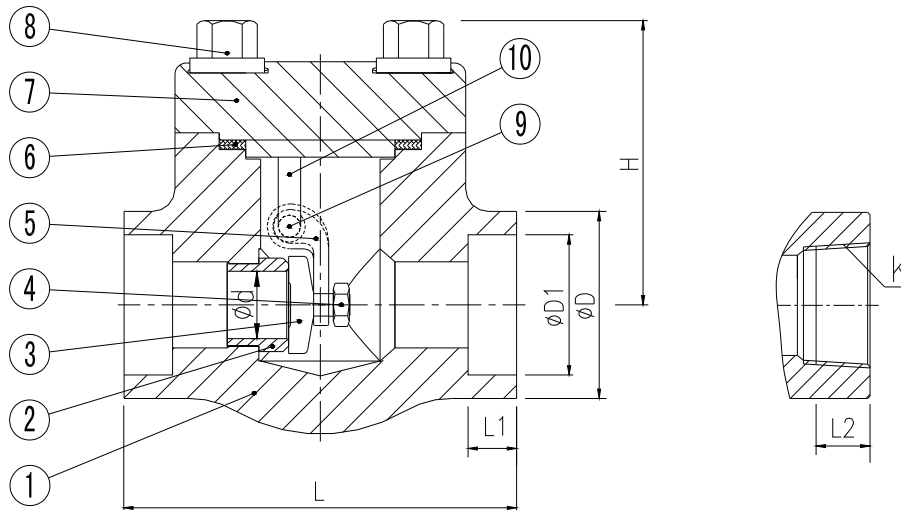
- Design per API 602
- Pressure/temperature rating per ASME B16.34
- Socket weld end per ASME B16.11
- Thread end per ASME B1.20.1
- Testing per API 598

Variants on request

- Other material and trim

On all enquiries/orders please specify

1. Valve type
2. ANSI pressure class
3. Size
4. Design pressure
5. Design temperature
6. Flow medium
7. Material of construction
8. Trim material (API trim number)
9. Type of end connection
10. Variants



Dimension

NPS	L	H	ød	øD	øD1	L1	L2	K (NPT)	Weight kg
1/2"	79	88	10	34	21.7	9.6	13.6	1/2"	1.3
3/4"	92	88	13	40	27.1	12.7	13.9	3/4"	1.75
1"	111	95	18	49	33.8	12.7	17.4	1"	2.6
1 1/4"	120	102	24	58	42.6	12.7	18	1 1/4"	4.1
1 1/2"	120	120	29	64	48.6	12.7	18.4	1 1/2"	5.3
2"	140	132	36.8	78	61.1	15.9	19.2	2"	9.0

Valve Materials

Part No.	Part Name	A105	F11	F22	F304	F316
1	Body	A105	F11	F22	A182-F304	A182-F316
2	Seal Ring	A276-410+STL6	A276-410+STL6	A276-410+STL6	A182-F304	A182-F316
3	Disc	A276-420	A276-420	A276-420	A276-304	A276-316
4	Nut	A194-B8	A194-B8	A194-B8	A194-B8	A194-8M
5	Disc Carrier	CF8	CF8	CF8	CF8	CF8M
6	Gasket	304+Graphite	316+Graphite	316+Graphite	316+Graphite	316+Graphite
7	Cover	A105	A182-F11	A182-F22	A182-F304	A182-F316
8	Cover Bolt	A193-B7	A193-B16	A193-B16	A193-B8	A193-B8M
9	Pin	A276-304	A276-304	A276-304	A276-304	A276-316
10	Set Pin	A276-304	A276-304	A276-304	A276-304	A276-316

Note. At temperatures above 538°C use only when the carbon content is 0.04% or higher.

Trim Materials

Part Name	Trim 1 13Cr/13Cr	Trim 2 304/304	Trim 5 Stellite/Stellite	Trim 8 Stellite/13Cr	Trim 10 316/316
Disc Face	13Cr	304 Stainless Steel	Stellite	13Cr	316 Stainless Steel
Body Sealing Face	13Cr	304 Stainless Steel	Stellite	Stellite	316 Stainless Steel