

CONDA-VRC

Direct acting pressure reducing valve

PN 16 / 25 / 40
DN 25 - 150



Benefits at a glance

- New piston technology with self cleaning system (pat. pending)
- Impervious to air pockets
- Upstream pressure balanced through compensation chamber
- Easy to use and to be maintained
- Piston guided in two points
- Perfect functioning in dynamic and static conditions

Applications

- In aqueducts
- In irrigation
- In buildings and civil installations
- In industrial plants
- In high pressure applications like snow cannons

Operating data

- Maximum downstream pressure value : 1.5 bar
- Maximum permissible temperature: 70° C
- Downstream pressure standard settings:
1.5-6 bar (blue spring)
5-12 bar (red spring)
Higher on request

Materials

- Body and cover : ductile iron GS 400-15 epoxy coated with fluidized bed technology
- Piston, shaft, seat : stainless steel
- Gaskets : NBR and polyurethane
- Regulation screw : stainless steel

Design

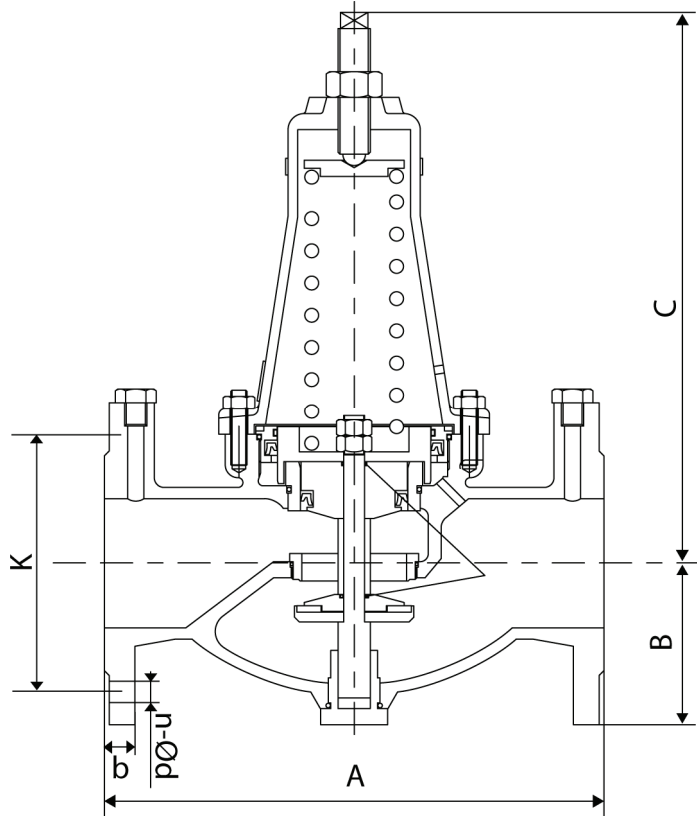
- Conformity to standards: ISO 5752 serie 1, DIN 3202, NF 29305-1
- Flange drilled acc.to EN 1092/2

Standard variants

- PN 64 in welded steel available
- Viton gaskets available on request

Other DN's, materials, variants,? Please contact us for your personal quotation

Overall dimensions



Standard model PN 16

| DN | PN | Dimensions (mm) | | | | | K | Weight (kg) |
|-----|----|-----------------|-----|-----|------|------|------|-------------|
| | | A | B | C | b | n-Ød | | |
| 50 | 16 | 230 | 83 | 280 | 19 | 4-19 | 125 | 12.0 |
| 65 | | 290 | 93 | 320 | | 8-19 | 145 | 19.0 |
| 80 | | 310 | 100 | 350 | | 160 | 24.0 | |
| 100 | | 350 | 117 | 420 | 8-19 | 180 | 34.0 | |
| 125 | | 400 | 135 | 590 | 210 | 56.0 | | |
| 150 | | 450 | 150 | 690 | 8-23 | 240 | 74.0 | |

Standard model PN 25

| DN | PN | Dimensions (mm) | | | | | K | Weight (kg) |
|-----|----|-----------------|-----|-----|------|------|------|-------------|
| | | A | B | C | b | n-Ød | | |
| 50 | 25 | 230 | 83 | 280 | 19 | 4-19 | 125 | 12.0 |
| 65 | | 290 | 93 | 320 | | 8-19 | 145 | 19.0 |
| 80 | | 310 | 100 | 350 | | 160 | 24.0 | |
| 100 | | 350 | 117 | 420 | 8-23 | 190 | 34.0 | |
| 125 | | 400 | 135 | 590 | 8-26 | 220 | 56.0 | |
| 150 | | 450 | 150 | 690 | | 20 | 250 | 74.0 |

Standard model PN 40

| DN | PN | Dimensions (mm) | | | | | K | Weight (kg) |
|-----|----|-----------------|-----|-----|----|------|------|-------------|
| | | A | B | C | b | n-Ød | | |
| 50 | 40 | 230 | 83 | 280 | 19 | 4-19 | 125 | 12.0 |
| 65 | | 290 | 93 | 320 | | 8-19 | 145 | 19.0 |
| 80 | | 310 | 100 | 350 | | 160 | 24.0 | |
| 100 | | 350 | 117 | 420 | 23 | 8-23 | 190 | 34.0 |
| 125 | | 400 | 135 | 590 | 28 | 8-28 | 220 | 56.0 |
| 150 | | 450 | 150 | 690 | | 250 | 74.0 | |

Hydraulic characteristics

| DN | NPS | Flow coefficient valve in fully open position | | Zeta |
|-----|-----|---|-------|------|
| | | Kvo | Cvo | |
| 50 | 2 | 20 | 58.0 | 24.9 |
| 65 | 2 ½ | 47 | 75.4 | 12.9 |
| 80 | 3 | 72 | 92.8 | 12.6 |
| 100 | 4 | 116 | 116.0 | 11.9 |
| 125 | 5 | 147 | 145.0 | 18.0 |
| 150 | 6 | 172 | 174.0 | 27.3 |