

# CONDA-VLC

## Three ways float valve with balanced single seat

**PN 16**  
**DN 25 – 250**



### Applications

- For clean water
- Other applications on request

### Operating data

- Maximum permissible pressure: 16 bar
- Maximum permissible temperature: 70° C

### Materials

- Body : ductile iron EN-GJS-400-15 epoxy coated
- Seat : stainless steel
- Piston: stainless steel
- Float: stainless steel

### Design

- Face to face acc. to ISO 5752 serie 1, Din 3202, NF 29305-1
- Flanges drilled and dimensioned according to EN 1092/2

### Standard variants

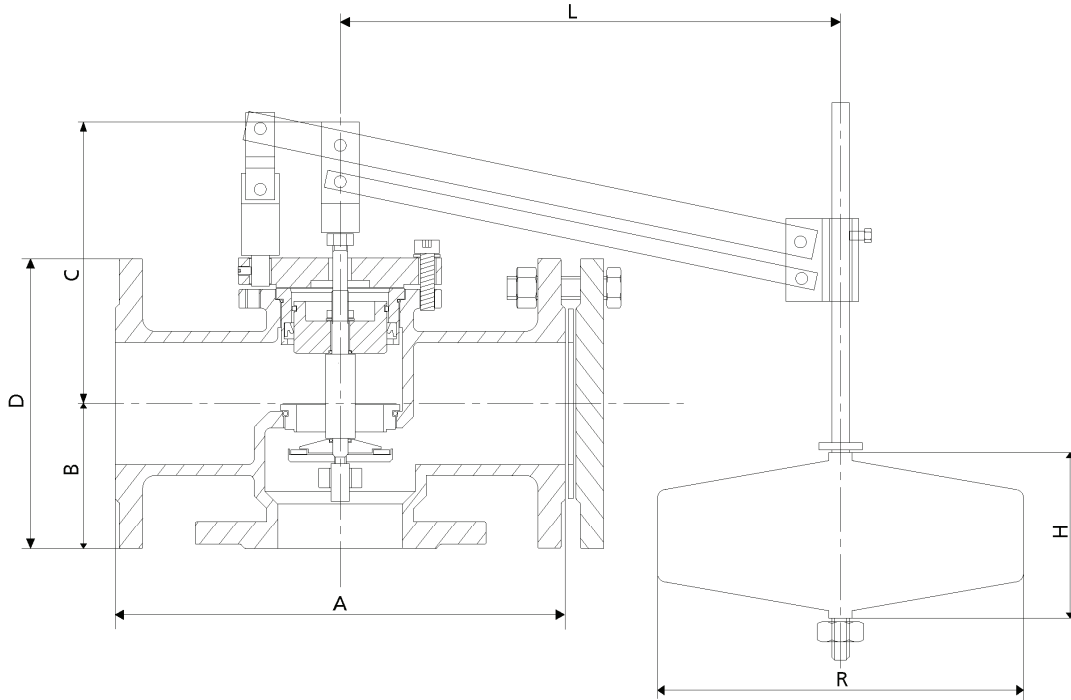
- Available with gaskets in Viton
- Customized solutions on request

### Benefits at a glance

- Upstream pressure balanced
- Available from 1" with compact body
- Self cleaning piston technology (patented)
- Three ways body provided with blind flange to be used with angle pattern or horizontal way
- Compass lever ( from DN 80)
- Lever can be adjusted on the valve's axis simply by rotating the rod

**Other DN's, materials, variants, .....? Please contact us for your personal quotation**

Overall dimensions



Standard model

DN	PN	Dimensions (mm)						Weight (kg)	
		A	B	C	D	L	H		R
40	16	230	82.5	173	165	600	220		21
50		290	92.5	193	185				25.6
65		310	100	212	200				32.6
80		350	125	225	220	800	200	300	41
100		400	125	230	250		180	400	49
125		480	162	351	285	1000	250		78.5
150		600	183	380	340		300		500
200		200	405		138				
250									

## Hydraulic characteristics

DN	NPS	Flow coefficient valve in fully open position		Zeta
		Kvo	Cvo	
40	1 ½	10.44	12.11	37.50
50	2	10.44	12.11	91.56
65	2 ½	24.12	27.98	48.99
80	3	36.00	41.76	50.46
100	4	55.80	64.73	51.28
125	5	86.40	100.22	52.22
150	6	136.80	158.69	43.19
200	8	252.00	292.32	40.23
250	10	270.00	313.20	85.56