

765XS VALVE WITH SA05 ELECTRIC ACTUATOR

CHARACTERISTICS

The 765XS+ SA 2-way ball valve is dedicated to the automatic shut-off of high temperature fluids like saturated steam below a 15 bar pressure. With its 3-piece and external bolts construction, it is easy to dismantle for maintenance. This full bore ball valve has an antistatic device, a gland pack double tightness and is certified according to the ATEX, EC, Firesafe and TA-LUFT standards. The SA electric actuator is mounted with a thermal dispersion yoke. It is perfectly adapted for an indoor or outdoor industrial use.

AVAILABLE ITEMS

DN 65 to DN 100

Threaded flanges RF PN40

Voltages 12 V DC, 24 V AC/DC and 230 V AC

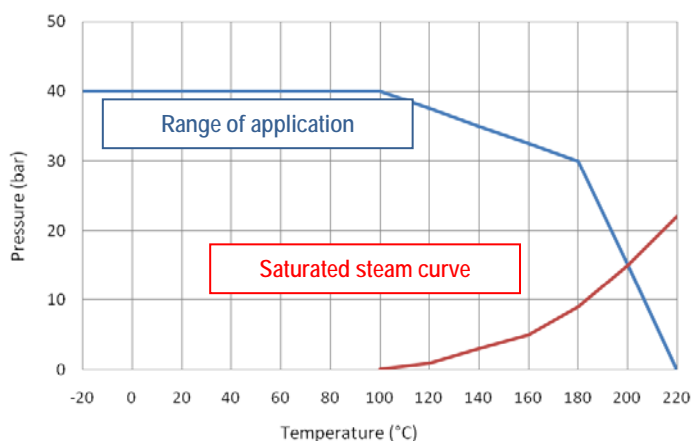


With NA-X



LIMITS OF USE

Max. allowable pressure (PS)	40 bar (20 °C)
Min./max. allowable temperature (TS)	-25 °C / +220 °C
Use on steam	15 bar / +200 °C
Room temperature	-20 °C / +80 °C
Service	S2 – 70%



DIRECTIVES AND DEVELOPMENT STANDARDS APPLICABLE

	Standard	Notified bodies		Standard
97/23/EC Pressure Equipment Directive	DN15 and 20 : excluded		Valve testing	EN 12266
	DN25 to 100 : category III	TÜV #0035	Material certificate	EN 10204
Size	EN 12516-1		Actuator attachment	ISO 5211 / EN 15081
Alloy grade	EN 1503-1		Firesafe	API 607/4 – ISO 10497-5
ATEX Directive	Valve	SIRA #0518	II 2G/D Tx for zones 1,2,21 and 22	
	Actuator (SA-X option)	KEMA #0344	II 2G EEx d II C T4 for zones 1 and 2	

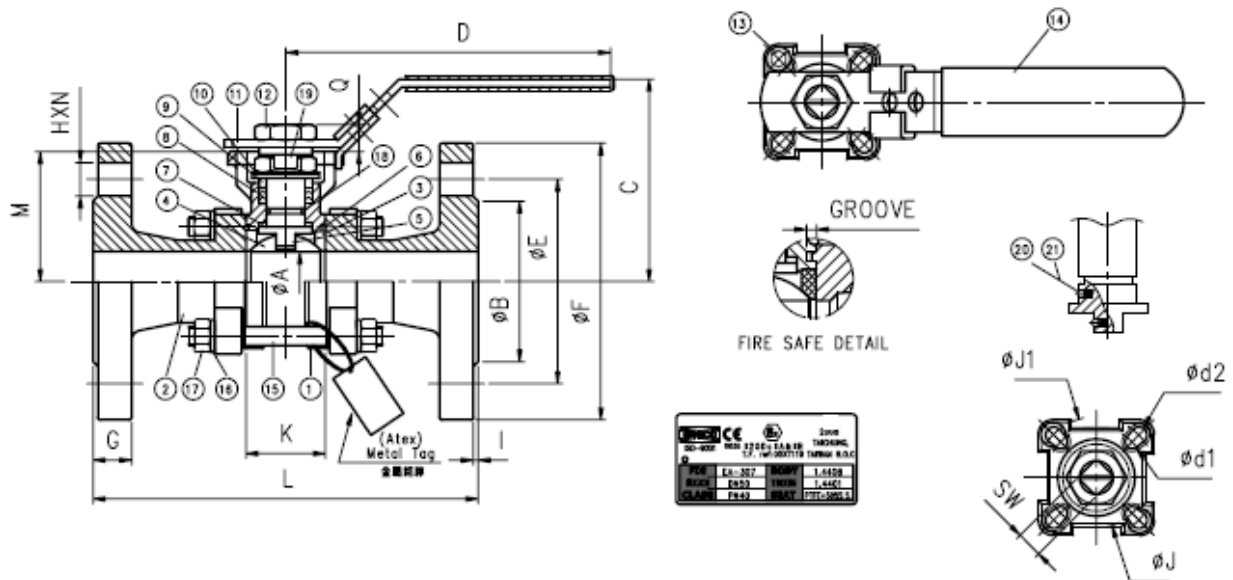
The following data is for information purpose only and may be subject to alteration without prior notice

	SECTORIEL S.A. 45, rue du Ruisseau 38290 Saint Quentin-Fallavier – FRANCE Tel.: +33 474 94 90 70 – Fax: +33 474 94 13 95 www.sectoriel.fr / email: sectoriel@sectoriel.fr	Nbr. pages	1/3
		Ref.	765XS+SA GB
		Rev.	1
		Date	05/2012

765XS VALVE WITH SA05 ELECTRIC ACTUATOR

CONSTRUCTION


#	Item	Material	#	Item	Material
1	Body	Carbon steel A216 WCB/1.0619	12	Nut	SS 304
2	Ends	Carbon steel A216 WCB/1.0619	13	End stop	SS 304
3*	Seats	PTFE+50% SS	14	Sleeve	PVC
4	Ball	CF8M / 316	15	Bolts	SS 304
5	Stem	SS 316	16	Washer	SS 304
6*	Body gasket	Graphite	17	Nuts	SS 304
7*	Washer	PTFE+15%Graphite	18*	O-ring	FKM
8*	Packing	Graphite	19	Retaining ring	SS 304
9	Spacer	SS 301	20	Antistatic	SS 316
10	B washer	SS 301	21	Spring	SS 304
11	Lever	SS 304			



DIMENSIONS (mm)

DN	A	B	C	D	E	F	SW	d1	d2	M	Q	K	L
15	16	45	70.9	125	65	95	9	6	6	42.3	8	25.2	130
20	20	58	73.4	125	75	105	9	6	6	44.8	8	27.2	150
25	24.5	68	84.1	150	85	115	11	6	7	54	12	33	160
32	32	78	89.3	150	100	140	11	6	7	59.2	12	41.2	180
40	38	88	109.5	165	110	150	14	7	9	73.5	14.8	49.3	200
50	50	102	118.9	165	125	165	14	7	9	82.9	14.8	63.6	230
65	65	122	155	300	145	185	17	9	11	107	17.1	82.1	290
80	80	138	165	335	160	200	17	9	11	117.3	17.1	95.8	310
100	100	162	180	335	190	235	17	9	11	132.3	17.1	117.8	350

The following data is for information purpose only and may be subject to alteration without prior notice

	SECTORIEL S.A. 45, rue du Ruisseau 38290 Saint Quentin-Fallavier – FRANCE Tel.: +33 474 94 90 70 – Fax: +33 474 94 13 95 www.sectoriel.fr / email: sectoriel@sectoriel.fr	Nbr. pages	2/3
		Ref.	765XS+SA GB
		Rev.	1
		Date	05/2012

765XS VALVE WITH SA05 ELECTRIC ACTUATOR

ACTUATION WITH SA

Suggested standard SA actuation under the following conditions:

- Electric actuator with an IP 67 epoxy coated aluminium enclosure and steel gears
- A minimum 1.3 safety factor compared with the valve nominal torque rating
- A maximum pressure differential up/downstream of 10 bar(=ΔP)

Electric actuator mounted with stainless steel bracket and coupler according to the EN 15081 standard






DN	Actuator	Power	Intensity 230 V AC	Intensity 24 V AC/DC	Operating Time*	Standard equipment of the actuator
15	SA05	6W	28mA	1.8mA	17s	2 adjustable limit switches 2 dry auxiliary switches 2 W anti-condensation heater Actuator thermal cut-out Manual override by key Backlit position indicator (except for SA-X) Electrical connection: 2 gland packs M20 x 1.5
20	SA05	6W	28mA	1.8mA	17s	
25	SA05	6W	28mA	1.8mA	17s	
32	SA05	6W	28mA	1.8mA	17s	
40	SA05	6W	28mA	1.8mA	17s	
50	SA05	6W	28mA	1.8mA	17s	
65	Refer to 765XS + NA					
80						
100						

*Unloaded operating time given for information purpose only. May vary depending on the medium

For any other working conditions, please contact us.

ACTUATION OPTIONS

There are many different options, please contact our commercial department.

1	2	3	4	5
SA05S: Slow closing electric actuator 100 s	SA05PCU: Regulation actuator 4-20 mA or 0-10 V	SA05RBP: Safety actuator with an integrated battery emergency shutdown	SA05 X: Actuator for use in ATEX zones 1 and 2	SR 05: Safety spring return actuator
				
6	SAPUI electric actuator with a feedback potentiometer			
7	Thermal dispersion bracket for high temperature fluids			
8	100 mm high extension stem for pipe insulation			
9	Electric actuator sized for a maximum pressure differential up/downstream over 10 bar (=ΔP)			
10	NA electric actuator with a declutchable manual override by handwheel			

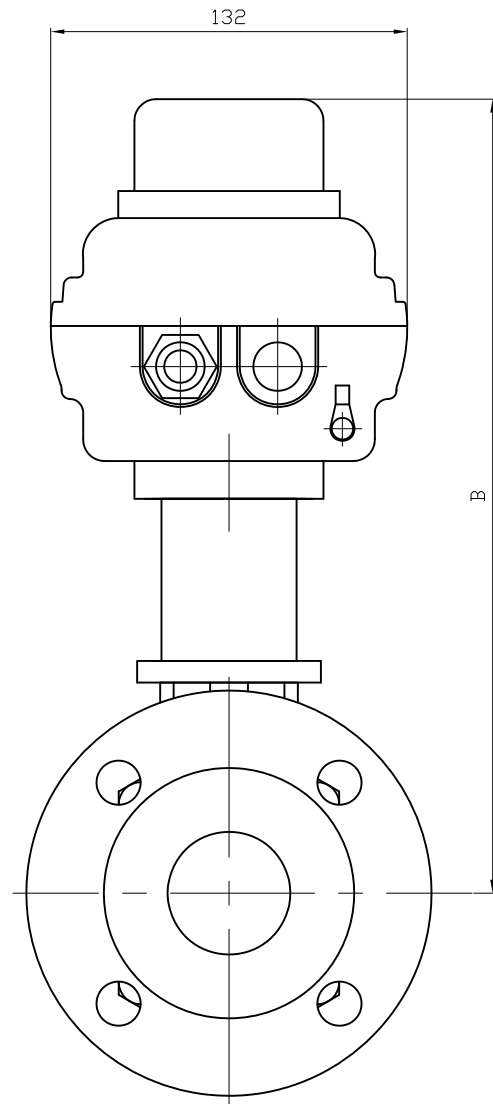
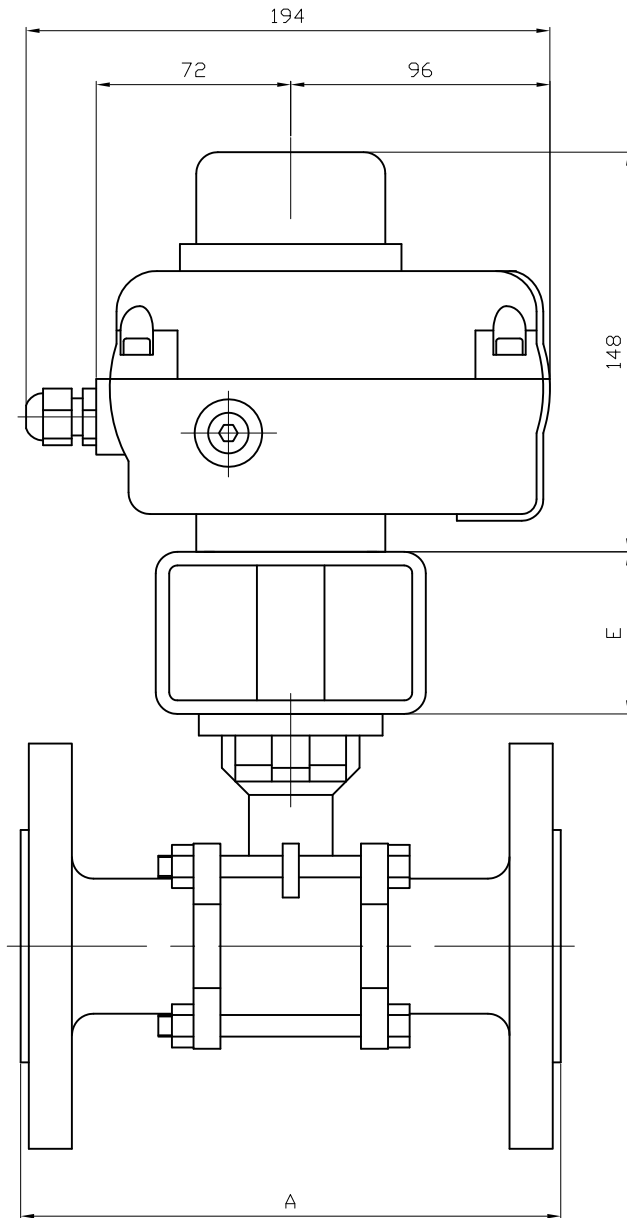
ATEX ZONES INSTALLATION

It is compulsory to specify if the installation of the automatic valve 765+SA-X will take place in ATEX zones 1 or 2 while making the order. Our services will proceed to the mounting check, to a grounding strip installation and will edit a mounting certificate. Those operations are performed by our proper engineers. Please contact us for further details. It is also compulsory to follow the ATEX zone mounting and maintenance special instructions for motorized valves. The ATEX gland packs and sealing plugs are not provided. Please use the following codes:

ATEX aluminium gland pack M20x1.5	Code 980179	ATEX aluminium sealing plugs M20x1.5	Code 980180
-----------------------------------	-------------	--------------------------------------	-------------


The following data is for information purpose only and may be subject to alteration without prior notice

	SECTORIEL S.A. 45, rue du Ruisseau 38290 Saint Quentin-Fallavier – FRANCE Tel.: +33 474 94 90 70 – Fax: +33 474 94 13 95 www.sectoriel.fr / email: sectoriel@sectoriel.fr	Nbr. pages	3/3
		Ref.	765XS+SA GB
		Rev.	1
		Date	05/2012



DN	15	20	25	32	40	50
A	130	150	160	180	200	230
B	250.3	252.8	262	267.2	281.5	290.9
E	60	60	60	60	60	60
KG	5.22	5.6	6.87	8.67	10.4	13.1

Informations données à titre indicatif et sous réserve de modifications éventuelles
data subject to alteration

				Ajout poids	03/07/2012	A
Ech: /	Date :19/11/2009	Dessiné par : E.D.	Tolérances générales : +/- 0.2	Modifications	Date	REV.
ROBINET A TOURNANT SPHERIQUE 765XS/BALL VALVE 765XS + SERVO-MOTEUR SA05/ELECTRIC ACTUATOR SA05				Matière :		
				Poids (Kg) :		
				Traitement : SANS		
				Plan n° Ens 1057A		
45, Rue du Ruisseau 38297 SAINT QUENTIN FALLAVIER						

ELECTRIC ACTUATOR SA05

GENERAL DESCRIPTION

The SA05 electric actuator is dedicated to the actuation of industrial ¼ turn valve. The torque value is 50 Nm. With a compact design, an IP 67 cast aluminium enclosure and an epoxy protection, the SA electric actuator is especially adapted to the actuation of ball valves and butterfly valves in outdoor or indoor areas. The SA05 is equipped with a visual 3D position indicator and a manual override driven by an Allen key. It complies with the EN 15714-2 standard.

AVAILABLE ITEMS

Voltage: 230 V AC (50-60 Hz), 24 V AC/DC and 12 V DC

IP 67

ISO
9001



LIMITS OF USE

Protection rating	IP 67
Temperature range	-20 °C / +70 °C
Service	S2 - 70%

MECHANICAL CHARACTERISTICS

Gears	Treated steel pinions
Torque	50 Nm
Rotation angle	90° +/-5°
Decutching	N/A
Manual override	Allen key (except for SA05S)



Electric actuator	SA05			SA05S	
Voltage	230 V AC	24 V AC/DC	12 V DC	230 V AC	24 V AC/DC
Torque	50 Nm				
Operating time	17 s	17 s	17 s	100 s	100 s
ISO 5211 pad	F03/F05/F17 star 14				

ELECTRICAL CHARACTERISTICS

Motor protection	Thermal cut-out	Anti-condensation	2 W heater
Limit switches	2 adjustable switches	Electrical connection	2 gland packs M20x1.5
Auxiliary switches	2 adjustable dry switches		

Electric actuator	SA05			SA05S	
Voltage	230 V AC	24 V AC/DC	12 V DC	230 V AC	24 V AC/DC
Power	6 W	15 W	15 W	6 W	6 W
Intensity	0.24 A	1.8 A	3.6 A	0.24 A	1.8 A

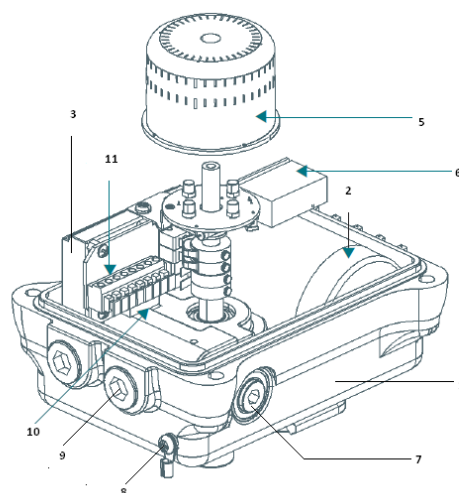
The following data is for information purpose only and may be subject to alteration without prior notice

	SECTORIEL S.A. 45, rue du Ruisseau 38290 Saint Quentin-Fallavier – FRANCE Tel.: +33 474 94 90 70 – Fax: +33 474 94 13 95 www.sectoriel.fr / email: sectoriel@sectoriel.fr	Pages	1/3
		Ref.	FT23010 GB
		Rev.	7
		Date	06/2012

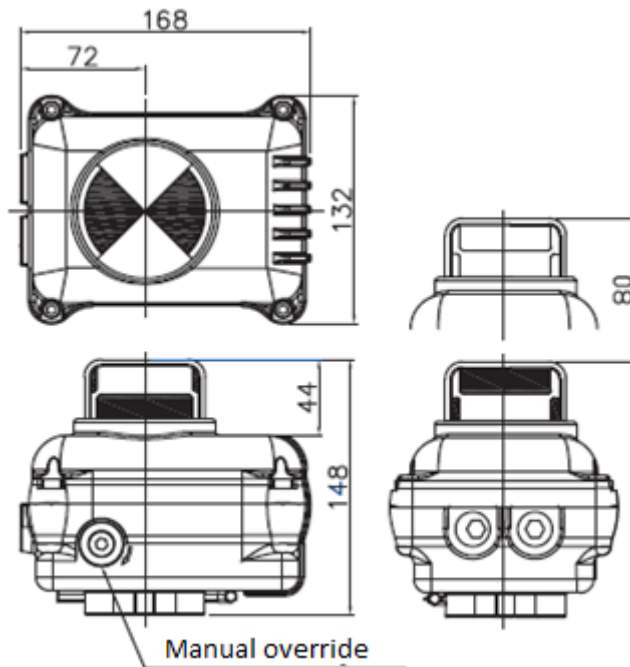
ELECTRIC ACTUATOR SA05

CONSTRUCTION


1	Enclosure	Polyester coated aluminium
2	Electric motor	
3	Gear	Treated steel pinions
4	Cover	Polyester coated aluminium
5	Position indicator	Polycarbonate plastic
6	Condenser	
7	Manual override	
8	Connection to ground	
9	Cable inlet	
10	Anti-condensation heater	
11	Terminal block	



DIMENSIONS (mm)



The following data is for information purpose only and may be subject to alteration without prior notice

	SECTORIEL S.A. 45, rue du Ruisseau 38290 Saint Quentin-Fallavier – FRANCE Tel.: +33 474 94 90 70 – Fax: +33 474 94 13 95 www.sectoriel.fr / email: sectoriel@sectoriel.fr	Pages	2/3
		Ref.	FT23010 GB
		Rev.	7
		Date	06/2012

ELECTRIC ACTUATOR SA05

WIRING SCHEME 230 V AC

1	Common	<p>CLS : CLOSE LIMIT SWITCH (250VCA 3A) OLS : OPEN LIMIT SWITCH (250VCA 3A) ACLS : AUX. CLOSE LIMIT SWITCH (250VCA 3A) AOLS : AUX. OPEN LIMIT SWITCH (250VCA 3A) TP : THERMAL PROTECTOR</p> <table border="1"> <thead> <tr> <th>SWITCH</th> <th>CLOSE</th> <th>OPEN</th> </tr> </thead> <tbody> <tr> <td>CLS</td> <td></td> <td></td> </tr> <tr> <td>OLS</td> <td></td> <td></td> </tr> <tr> <td>ACLS</td> <td></td> <td></td> </tr> <tr> <td>AOLS</td> <td></td> <td></td> </tr> </tbody> </table>	SWITCH	CLOSE	OPEN	CLS			OLS			ACLS			AOLS		
SWITCH	CLOSE		OPEN														
CLS																	
OLS																	
ACLS																	
AOLS																	
2	Anti-condensation heater																
3	Closing control																
4	Opening control																
5	Auxiliary switch closing																
6	Auxiliary switch closing																
7	Auxiliary switch opening																
8	Auxiliary switch opening																

WIRING SCHEME 24 V AC/DC

1	Common or +	<p>CLS : CLOSE LIMIT SWITCH (250VCA 3A) OLS : OPEN LIMIT SWITCH (250VCA 3A) ACLS : AUX. CLOSE LIMIT SWITCH (250VCA 3A) AOLS : AUX. OPEN LIMIT SWITCH (250VCA 3A) TP : THERMAL PROTECTOR RM : MOTOR REGULATION</p> <table border="1"> <thead> <tr> <th>SWITCH</th> <th>CLOSE</th> <th>OPEN</th> </tr> </thead> <tbody> <tr> <td>CLS</td> <td></td> <td></td> </tr> <tr> <td>OLS</td> <td></td> <td></td> </tr> <tr> <td>ACLS</td> <td></td> <td></td> </tr> <tr> <td>AOLS</td> <td></td> <td></td> </tr> </tbody> </table>	SWITCH	CLOSE	OPEN	CLS			OLS			ACLS			AOLS		
SWITCH	CLOSE		OPEN														
CLS																	
OLS																	
ACLS																	
AOLS																	
2	Closing control																
3	Opening control																
4	Auxiliary switch closing																
5	Auxiliary switch opening																
6	Auxiliary common																
7-8	Anti-condensation heater power supply																

OPTIONS

1	SA05X: ATEX area version
2	SA05PIU: feedback potentiometer version
3	SA05CPT: 4-20 mA position transmitter version
4	SA05PCU: 0-10, 2-10 V, 2-20 mA, 4-20 mA regulation card version
5	SA05LCU: local control version
6	SA05RBP: integrated battery emergency shutdown device version

The following data is for information purpose only and may be subject to alteration without prior notice

	SECTORIEL S.A. 45, rue du Ruisseau 38290 Saint Quentin-Fallavier – FRANCE Tel.: +33 474 94 90 70 – Fax: +33 474 94 13 95 www.sectoriel.fr / email: sectoriel@sectoriel.fr	Pages	3/3
	Ref.	FT23010 GB	
	Rev.	7	
	Date	06/2012	