

# BALL VALVE ADLER 3 PIECES - FIRE SAFE

## Ref. 712/713

Ref. : DS 712

Rev. : 4

Date : 10/08

Page 1/2



Valves and fittings

90 rue du ruisseau 38297 ST QUENTIN FALLAVIER  
Tel:(33)04.74.94.15.90 Fax:(33)04.74.95.62.08  
E.mail : sferaco@sferaco.fr

### SPECIFICATIONS :

- . Full bore
- . Anti-blow out stem
- . ISO 5211 mounting pad
- . Special gland pack with "Belleville" washer
- . Anti-static device
- . Fire safe according to BS 6755 up to 3"

### USE :

- . For all common fluids
- . Max Temperature Ts : 180°C to Ps 0
- . Max Pressure Ps : see dimensions
- . Vacuum : 10<sup>-2</sup> torr

### RANGE :

- . Ref. 712 carbon steel 1/4" to 4" threaded BSP, NPT, BW, SW
- . Ref. 713 stainless steel 1/4" to 4" threaded BSP, NPT, BW, SW

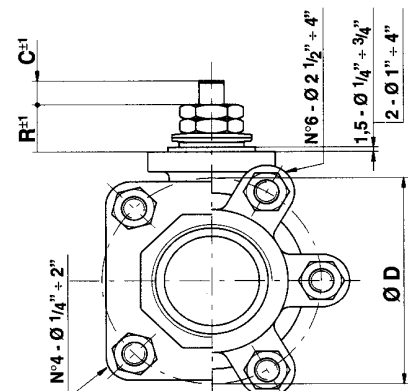
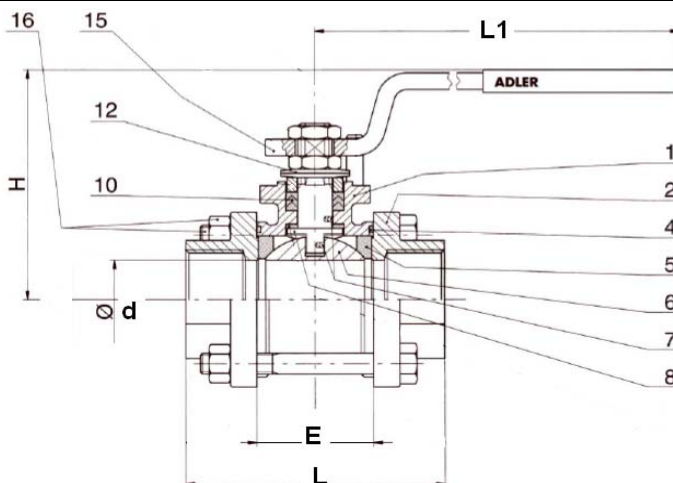
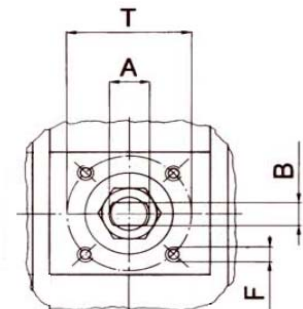
### MATERIALS :

| Item | DESIGNATION         | MATERIALS 712     | MATERIALS 713     |
|------|---------------------|-------------------|-------------------|
| 1    | Body                | A 216 WCB         | A 351 CF8M        |
| 2    | End                 | A 216 WCB         | A 351 CF8M        |
| 6    | Ball                | SS 304            | SS 316            |
| 8    | Stem                | SS 304            | SS 316            |
| 5    | Seat                | PTFE 15% glass    | PTFE 15% glass    |
| 10   | Packing             | PTFE / Graphite   | PTFE / Graphite   |
| 4    | Gasket              | PTFE              | PTFE              |
| 7    | Anti-static device  | SS 316            | SS 316            |
| 12   | "Belleville" washer | Zinc plated steel | Zinc plated steel |
| 16   | Nut                 | Zinc plated steel | SS 304            |
| 15   | Handle              | Carbon steel A105 | SS 304            |



### SIZE :

| Ref.    | DN    | 1/4" | 3/8" | 1/2" | 3/4" | 1"   | 1" 1/4" | 1" 1/2" | 2"    | 2" 1/2" | 3"    | 4"    |
|---------|-------|------|------|------|------|------|---------|---------|-------|---------|-------|-------|
| 712/713 | d     | 10   | 10   | 15   | 19   | 25   | 30      | 38      | 51    | 64      | 76    | 101   |
|         | L     | 50   | 60   | 75   | 80   | 90   | 110     | 120     | 140   | 185     | 205   | 240   |
|         | H     | 46   | 46   | 59   | 62   | 80   | 85      | 103     | 111   | 135     | 144   | 174   |
|         | C     | 5,5  | 5,5  | 7,5  | 7,5  | 9,5  | 9,5     | 14,5    | 14,5  | 16,5    | 16,5  | 16,5  |
|         | D     | 35   | 35   | 43   | 49   | 61   | 67      | 84      | 102   | 123     | 143   | 176   |
|         | E     | 20   | 20   | 26   | 28   | 37   | 44      | 54      | 70    | 83      | 96    | 118   |
|         | R     | 7    | 7    | 13   | 13   | 16,5 | 16,5    | 19,5    | 19,5  | 23,5    | 23,5  | 26,5  |
|         | L1    | 120  | 120  | 145  | 145  | 185  | 185     | 280     | 280   | 370     | 370   | 470   |
|         | ISO   | F03  | F03  | F03  | F03  | F03  | F03     | F05     | F05   | F07     | F07   | F07   |
|         | A x B | 8x5  | 8x5  | 10x6 | 10x6 | 12x8 | 12x8    | 16x10   | 16x10 | 22x14   | 22x14 | 30x18 |
|         | F     | M5   | M5   | M5   | M5   | M5   | M5      | M6      | M6    | M8      | M8    | M8    |
|         | T     | 36   | 36   | 36   | 36   | 36   | 36      | 50      | 50    | 70      | 70    | 70    |
|         | Ps    | 100  | 100  | 64   | 64   | 40   | 40      | 40      | 40    | 25      | 25    | 20    |
|         | Weig. | 0,3  | 0,35 | 0,6  | 0,7  | 1,2  | 1,7     | 2,9     | 4,4   | 10      | 14    | 22    |



**BALL VALVE ADLER  
3 PIECES - FIRESAFE  
Ref. 712/713**

Ref. : DS 712

Rev. : 4

Date : 10/08

Page 2/2



Valves and fittings

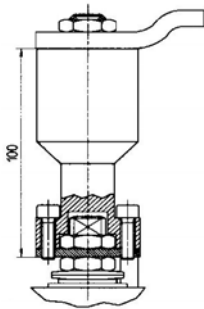
90 rue du ruisseau 38297 ST QUENTIN FALLAVIER  
Tel:(33)04.74.94.15.90 Fax:(33)04.74.95.62.08  
E.mail : sferaco@sferaco.fr

**STANDARDS :**

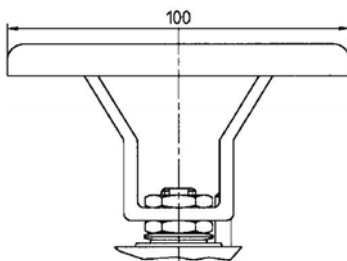
- . DIRECTIVE 97/23/CE : CE 0038
- . Risk category III module H

**OPTIONS :**

- . Locking device
- . Stem extension 100mm



- . Stem extension on request
- . Handwheel 1/4" to 1" 1/4



- . Cavity filler PTFE
- . Heating jacket
- . Seat PTFE reinforced carbon
- . Dry cleaned oxygen
- . ATEX Group 2 Category 2G/2D Zone 1&21 , Zone 2 & 22

**ADVICE :** Our opinion and our advice are not guaranteed and SFERACO shall not be liable for the consequences of damages. The customer must check the right choice of the products with the real service conditions.