

FIRE SAFE BALL VALVE ISO PN20 ANSI 150 FLANGED



Size : DN 15 to 200 mm (1/2" à 8")
Ends : ISO PN20 ANSI150 R.F. Flanges
Min Temperature : -50°C in SS and -29°C in carbon steel
Max Temperature : + 250°C
Max Pressure : 20 Bars
Specifications : ISO 5211 mounting pad
Fire safe ISO 10497 : 2004
Fugitive emissions EN 15848-1 : 2006
Atex

Materials : Carbon steel or stainless steel

FIRE SAFE BALL VALVE ISO PN20 ANSI 150 FLANGED

SPECIFICATIONS :

- Full bore
- Anti blow-out stem
- Pure PTFE TFM1600 seat (PMD FF)
- Locking device
- ISO 5211 mounting pad
- 2 pieces type (Split body)
- ISO PN20 ANSI150 R.F. Flanges
- Antistatic device
- Fire safe ISO 10497 : 2004
- Fugitive emissions EN 15848-1 : 2006
- Graphite packing + FKM O ring on stem
- With exhaust hole in the ball (located in the top of the ball to avoid overpressure in it)
- Black painting colour RAL 9004 , 5-15 microns thickness for carbon steel type (Ref. 756)

USE :

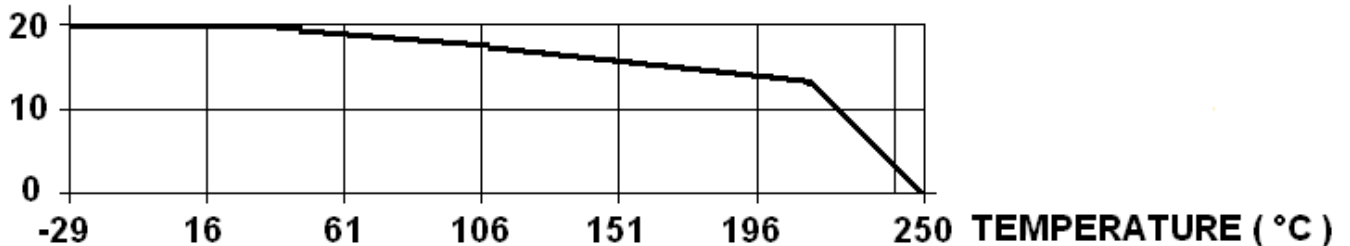
- For all common fluids
- Min and max Temperature Ts : -50°C to + 250°C for stainless steel type **Ref. 757**
- Min and max Temperature Ts : -29°C to + 250°C for carbon steel type **Ref. 756**
- Max pressure PN : 20 bars (see graph)

PRESSURE / TEMPERATURE GRAPH (STEAM EXCLUDED) FOR CARBON STEEL TYPE REF.756 :

PRESSURE

REF. 756

(Bar)



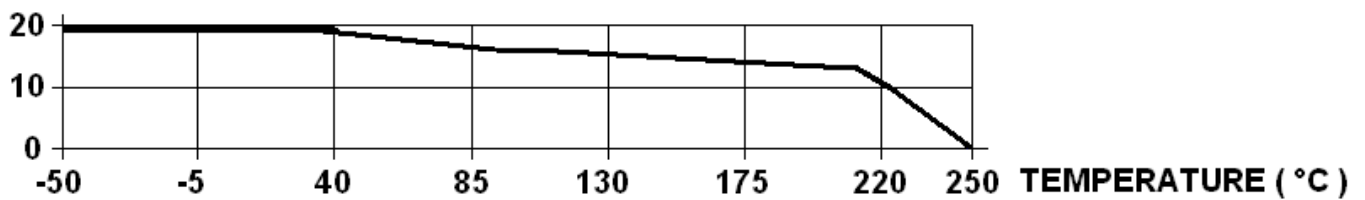
FIRE SAFE BALL VALVE ISO PN20 ANSI 150 FLANGED

PRESSURE / TEMPERATURE GRAPH (STEAM EXCLUDED) FOR STAINLESS STEEL TYPE REF.757 :

PRESSURE

REF. 757

(Bar)

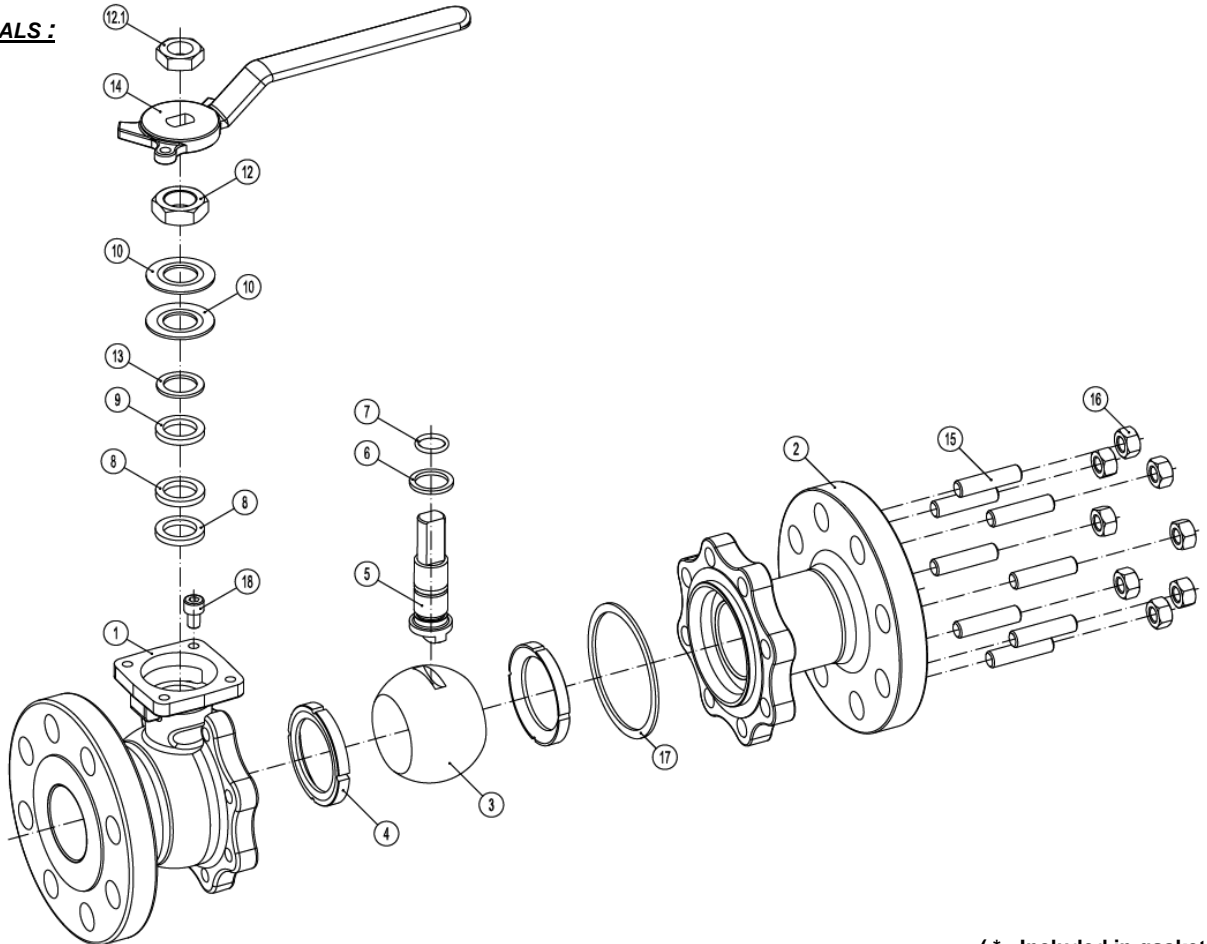


RANGE :

- Carbon steel body **Ref. 756** DN 15 to DN 200 (1/2" to 8")
- Stainless steel body **Ref. 757** DN 15 to DN 200 (1/2" to 8")
- Possible with gearbox **Ref.983026** for DN 150 and 200

ENDS :

- ISO PN20 ANSI 150 R.F. Flanges

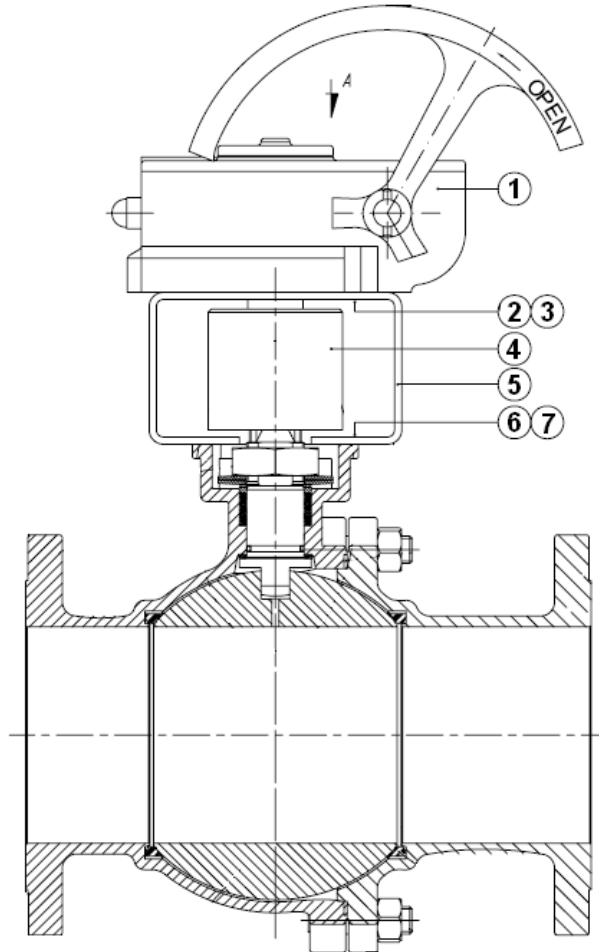
FIRE SAFE BALL VALVE ISO PN20 ANSI 150 FLANGED
VALVE MATERIALS :


(* : Included in gaskets kit)

Item	Designation	Materials 756	Materials 757
1	Body	ASTM A216 WCB	ASTM A351 CF8M
2	Ends	ASTM A216 WCB	ASTM A351 CF8M
3	Ball	ASTM A351 CF8M	
4*	Seat	Pure PTFE TFM 1600 (PMD FF)	
5	Stem	ASTM A479 type 316	
6*	Stem thrust seal	PTFE filled with 25% Glass	
7*	Stem O ring	FKM	
8*	Gland Packing	Graphite	
9	Gland	SS 303	
10	Elastic ring	SS 303	
12	Gland nut	SS 303	
12.1	Handle nut	SS 303	
13*	Antifriction washer	PTFE filled with 25% Glass	
14	Handle	Nodular iron	
15	Stud	A 193 Gr. B7M	A 193 Gr. B8M
16	Nut	A 194 Gr. 2HM	A 194 Gr. 8M
17*	Spiralwound gasket	SS 316L + PTFE + Graphite	
18	Bolt	A2	
19	Identification plate	Stainless steel	

FIRE SAFE BALL VALVE ISO PN20 ANSI 150 FLANGED

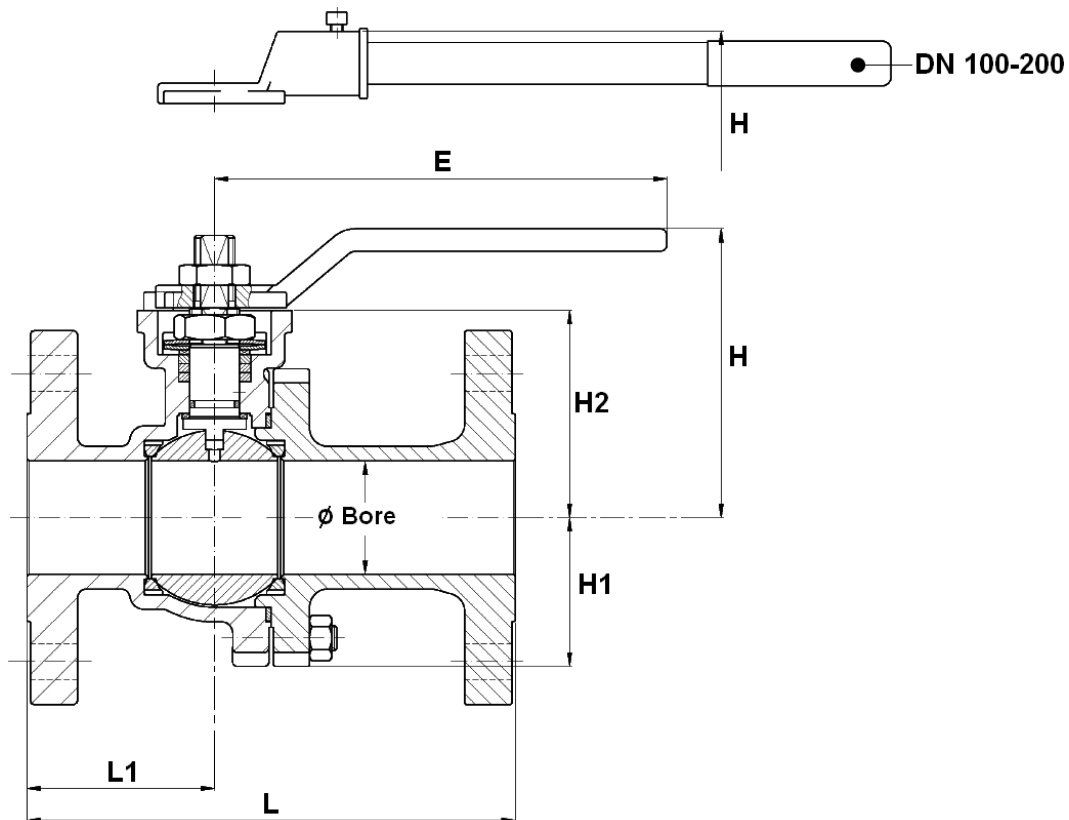
GEARBOX MATERIALS :



Item	Designation	Materials
1	Gearbox	Painted steel
2	Screw	DIN 912 A2
3	Washer	DIN 912 A2
4	Coupling	Stainless steel
5	Mounting bracket	Stainless steel
6	Screw	DIN 912 A2
7	Washer	DIN 912 A2

FIRE SAFE BALL VALVE ISO PN20 ANSI 150 FLANGED

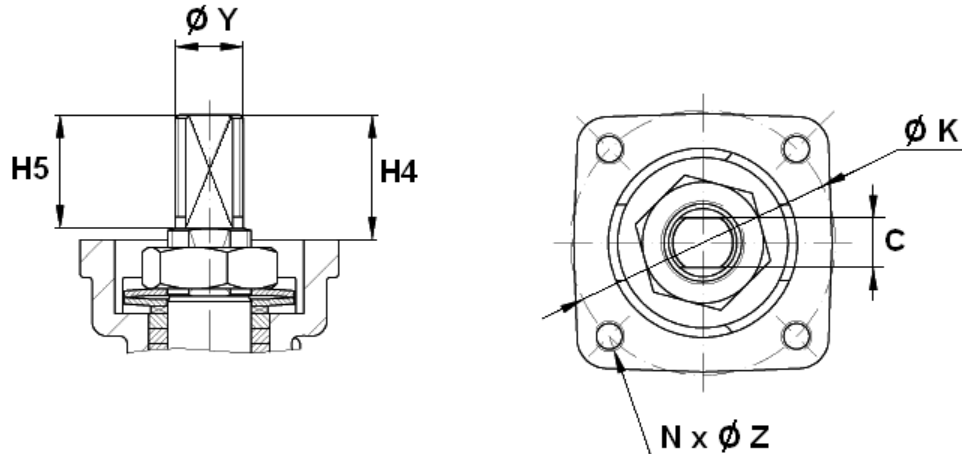
VALVES SIZE (in mm) :



Ref.	DN (mm)	15	20	25	40	50	65	80	100	150	200
	DN (")	1/2"	3/4"	1"	1"1/2	2"	2"1/2	3"	4"	6"	8"
756 / 757	ø Bore	15	20	25	40	50	65	78	100	151	203
	L	108	117	127	165	178	190	203	229	394	457
	L1	47	50	52	65	61	75	78.5	90	174	209
	E	170	170	170	215	215	350	450	466	775	845
	H	68	70	86	122.5	127.5	140	190	192.5	259	319
	H1	31	33	39	48	63	78	87	108	152	202
	H2	41	43	58.5	86.5	91.5	104	118.5	144	203	250
	Weight (Kg)	1.7	2.2	2.9	6	8.5	13.3	18.5	29.3	64.5	123.2

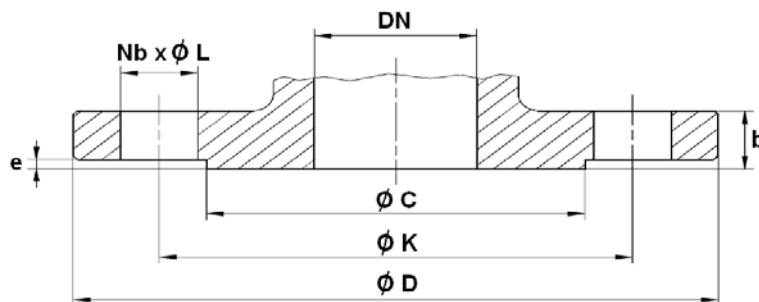
FIRE SAFE BALL VALVE ISO PN20 ANSI 150 FLANGED

ISO MOUNTING PAD AND STEM SIZE (in mm) :



Ref.	DN (mm)	15	20	25	40	50	65	80	100	150	200
	DN (")	1/2"	3/4"	1"	1"1/2	2"	2"1/2	3"	4"	6"	8"
756 / 757	C	7	7	8	12	12	15	15	19	24	32
	H4	18	18	22	33	33	34	34	45	56	69
	H5	11	11	21	32	32	33	33	43.5	54.5	67
	Ø Y	M10	M10	M12	M18	M18	M22	M22	M28	M36	M48
	Ø K	50	50	50	70	70	70	102	102	125	140
	ISO	F05	F05	F05	F07	F07	F07	F10	F10	F12	F14
	N x Z	4 x M6	4 x M6	4 x M6	4 x M8	4 x M8	4 x M8	4 x M10	4 x M10	4 x M12	4 x M16

FLANGES SIZE (in mm) :

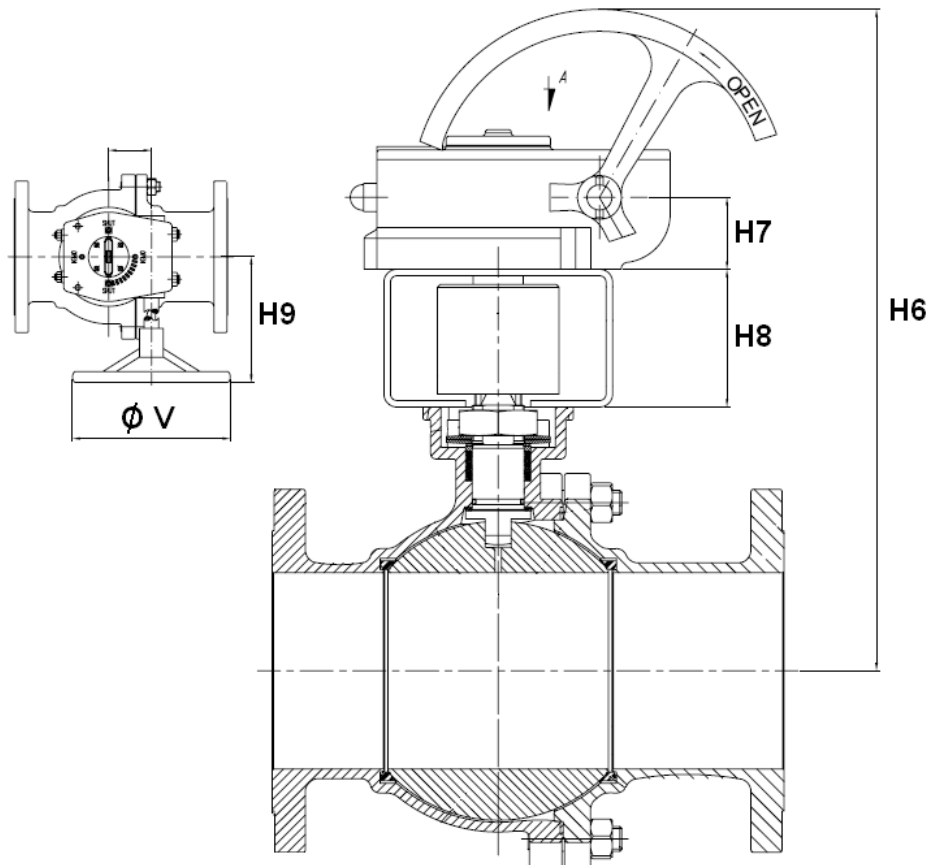


Ref.	DN (mm)	15	20	25	40	50	65	80	100	150	200
	DN (")	1/2"	3/4"	1"	1"1/2	2"	2"1/2	3"	4"	6"	8"
756 / 757	Ø C	35	43	51	73	92	105	127	157	216	270
	Ø D	88.9	98.5	108	127	152	178	191	229	279.5	343
	Ø K	60.5	69.8	79.24	98.55	120.65	139.7	152.4	190.5	241.3	298.4
	Nb x Ø L	4 x 15.8	4 x 15.8	4 x 15.8	4 x 15.8	4 x 19	4 x 19	4 x 19	8 x 19	8 x 22.2	8 x 22.2
	b	1.6	1.6	1.6	1.6	1.6	1.6	1.6	1.6	1.6	1.6
	e	11.2	11.2	11.2	14.3	15.8	17.6	19	23.9	25.5	28.5

Sferaco 90 rue du Ruisseau 38297 St Quentin Fallavier Tel: + 33 (0) 474.94.15.90 Fax: + 33 (0) 474.95.62.08 Internet: www.sferaco.fr E-mail: sferaco@sferaco.fr

FIRE SAFE BALL VALVE ISO PN20 ANSI 150 FLANGED

GEARBOX SIZE (in mm) :



Ref.	DN (mm)	150	200
	DN (")	6"	8"
983026	H6	596.5	643.5
	H7	55	55
	H8	106	106
	H9	229	229
	Ø V	465	465
	Gearbox weight (in Kg)	19.5	19.7
	Gearbox + valve weight (Kg)	84	142.9

FIRE SAFE BALL VALVE ISO PN20 ANSI 150 FLANGED

FLOW COEFFICIENT K_v (in m³ / h) :

DN (mm)	15	20	25	40	50	65	80	100	150	200
DN (")	1/2"	3/4"	1"	1"1/2	2"	2"1/2	3"	4"	6"	8"
K_v (m ³ / h)	20	40	75	170	270	550	1000	1650	4200	9000

TORQUE VALUE (in Nm without safety coefficient) :

DN (mm)	15	20	25	40	50	65	80	100	150	200
DN (")	1/2"	3/4"	1"	1"1/2	2"	2"1/2	3"	4"	6"	8"
Torque (Nm)	6	8	12	22	36	50	79	130	220	630

STANDARDS :

- Fabrication according to ISO 9001:2000
- DIRECTIVE 97/23/CE : CE N° 0062
Risk Category III module H
- Valve designing according to EN 1983 – ISO 17292
- Materials according to NACE MR 01-75
- Body designing according to ASME B16.34 and API 6D
- Tests according to EN 12266-1, range A
- Marking according to EN 19
- Fire safe according to ISO 10497 : 2004
- Fugitive Emissions according to EN 15848-1 : 2006
- ISO PN20 ANSI 150 Flanges R.F. according to ASME B16.5
- ISO 5211 mounting pad and stem size according to EN 15081
- Length according to ASME B16.10 (EN 558-2 serie 3 and 4)
- ATEX Group II Category 2 G/2Dc Zone 1 & 21 Zone 2 & 22 (Optional marking)

ADVICE : Our opinion and our advice are not guaranteed and SFERACO shall not be liable for the consequences of damages. The customer must check the right choice of the products with the real service conditions.

FIRE SAFE BALL VALVE ISO PN20 ANSI 150 FLANGED

INSTALLATION INSTRUCTIONS

GENERAL GUIDELINES :

- Ensure that the valves to be used are appropriate for the conditions of the installation (type of fluid, pressure and temperature).
- Be sure to have enough valves to be able to isolate the sections of piping as well as the appropriate equipment for maintenance and repair.
- Ensure that the valves to be installed are of correct strength to be able to support the capacity of their usage.
- **Installation of all circuits should ensure that their function can be automatically tested on a regular basis (at least two times a year).**

INSTALLATION INSTRUCTIONS :

- **Before installing the valves, clean and remove any objects from the pipes** (in particular bits of sealing and metal) which could obstruct and block the valves.
- **Ensure that both connecting pipes either side of the valve (upstream and downstream) are aligned (if they're not, the valves may not work correctly).**
- **Make sure that the two sections of the pipe (upstream and downstream) match, the valve unit will not absorb any gaps. Any distortions in the pipes may affect the tightness of the connection, the working of the valve and can even cause a rupture.** To be sure, place the kit in position to ensure the assembling will work.
- **If sections of piping do not have their final support in place, they should be temporarily fixed. This is to avoid unnecessary strain on the valve.**
- Tighten the bolts in cross.
- It's recommended to operate the valve (open and close) 1 to 2 times per year