

752-753 BALL VALVE WITH ADA PNEUMATIC ACTUATOR

MAIN CHARACTERISTIC

The 752-753 flanged ball valve are dedicated to the automatic shutt-off of low and medium pressure industrial fluids up to 16 bar. With a full bore split-body construction type, the 752-753 valve is CE PED 97/23 approved, ATEX, fire-safe and ISO 15848-1 for fugitive emissions certified. The face to face dimension is standardized following EN 558-1 serial 27.

La platine de motorisation ISO 5211 permet le montage d'acteurs normalisés. La motorisation pneumatique avec l'acteur AP est disponible en simple et double effet avec de nombreuses options et accessoires.

AVAILABLE MODELS

Sizes DN 15 à DN 200

Connection with flanges PN16 RF.

Short pattern EN 558-1 serial 27

752 : carbon steel body

753 : stainless steel body

CLASSIFICATION FOLLOWING PED

Sizes < DN 25: not subjected to PED acc. to A3 §3

Sizes DN32 to 200: category II: CE 0062 homologation

LIMITS OF USE

PS	TS	TS
	carbon steel	stainless steel
16 bar @ 20°C	-20°C/+200°C	-30°C/+200°C

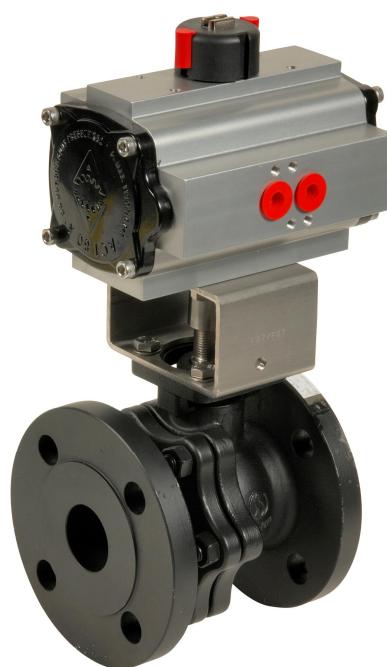
OPTIONS

Declutchable gear box
Oversized actuator
Limits switches box
NAMUR pilot valve

ACTUATOR TYPE ADA

See our technical data sheet FT1510 on page 5.

Modifications reserved



MOTORIZATION WITH ADA ACTUATOR

The actuators are sized for following operating conditions :

- 6 bar compressed air supply,
- max. pressure differential up/downstream : 10 bar.

Size	Double effect	Spring return
15	ADA 20	ASR 40
20	ADA 20	ASR 40
25	ADA 20	ASR 80
32	ADA 40	ASR 80
40	ADA 40	ASR 80
50	ADA 80	ASR 200
65	ADA 130	ASR 300
80	ADA 130	ASR 300
100	ADA 200	ASR 500
125	ADA 300	ASR 850
150	ADA 500	ASR 850
200	ADA 850	ASR 2500

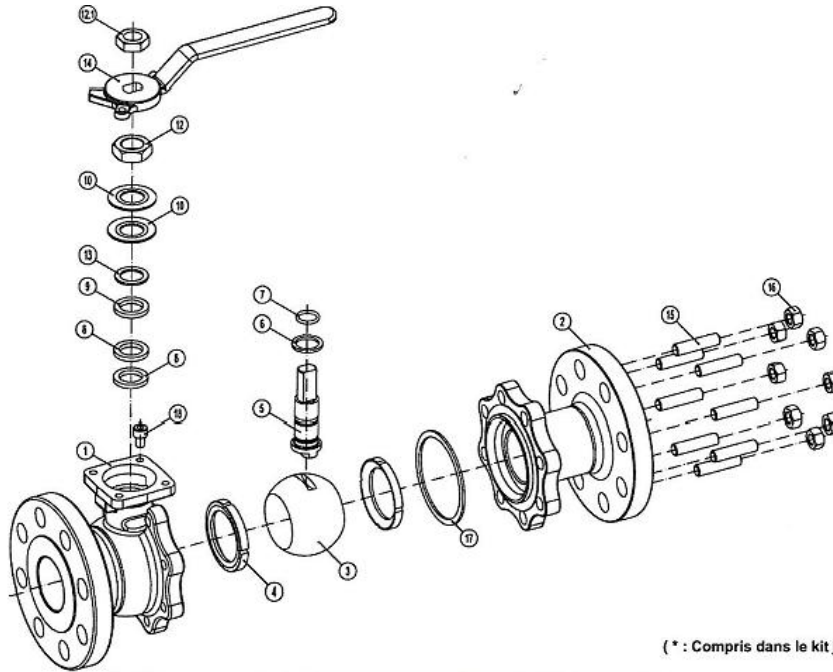
For any other operating condition, please consult.

The linking parts between the valve and the actuator are available in stainless steel, with design according to EN 15081 standard.

752-753 BALL VALVE WITH ADA PNEUMATIC ACTUATOR

STANDARDS OF CONSTRUCTION

	Standard		Standard
Construction	EN 1983	Flanges	EN 1092-1 PN16 RF
Rating	EN 12516 et API 6D	Face to face	EN 558-1 série 27
Final test	EN 12266	Motorisation	ISO 5211
Fire safe	ISO 10497-2004	ATEX	II 2 G/D Tx
Fugitive emissions	ISO 15848-1	ATEX areas	1,21, 2 et 22

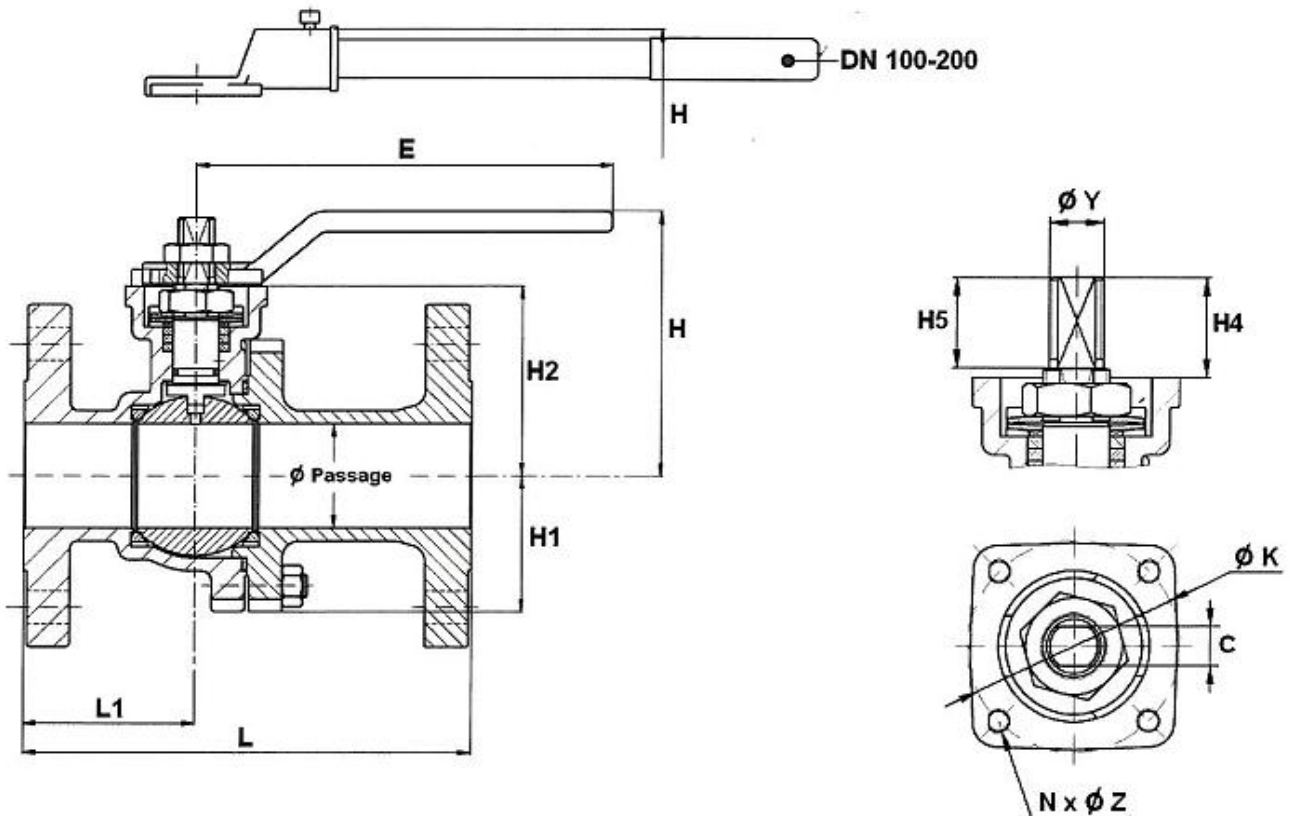


CONSTRUCTION

Item	Part	752 CS	753 SS	Item	Part	752 CS	753 SS
1	Body	1.0619	1.4408	12	Packing nut	SS 303	
2	Flanges	1.0619	1.4408	12.1	Lever nut	SS 303	
3	Ball	1.4408		13	Anti-friction ring	PTFE filled graphoil	
4	Seats	PTFE / TFM 1600		14	Lever	SG iron	
5	Stem	1.4401		15	Screws	A193 B7M	A193 B8M
6	Washer	SS 316		16	Nuts	A193 2HM	A193 8M
7	Stem o-ring	FPM		17	Body gasket	SS + PTFE + graphite	
8	Packing	Graphite		18	Pin	A2	
9	Packing gland	SS 303		19	Name plate	Inox	
10	Belleville washer	Inconel 718					

Modifications reserved

752-753 BALL VALVE WITH ADA PNEUMATIC ACTUATOR



DIMENSIONS (mm)

DN	15	20	25	32	40	50	65	80	100	125	150	200
	15	2	25	32	40	50	65	78	100	125	151	203
L	115	120	125	130	140	150	170	180	190	325	350	400
L1	53	52	52	54	55	61	72	73	83	120	135	200
E	170	170	170	170	215	215	350	450	466	775	775	845
H	68	70	86	89.5	122.5	127.5	140	190	192.5	240	259	319
H1	31	33	39	43	48	63	78	87	108	134	152	202
H2	41	43	58.5	63.5	86.5	91.5	104	118.5	144	184	203	250
H4	18	18	22	22	33	33	34	34	45	56	56	69
H5	11	11	21	21	32	32	33	33	43.5	54.5	54.5	67
Y	M10	M10	M12	M12	M18	M18	M22	M22	M28	M36	M36	M48
K	50	50	50	50	70	70	70	102	102	125	125	140
ISO	F05	F05	F05	F05	F07	F07	F07	F10	F10	F12	F12	F14
N x Z	4xM6	4xM6	4xM6	4xM6	4xM8	4xM8	4xM8	4xM10	4xM10	4xM12	4xM12	4xM16
W (kg)	2.4	3.2	4.1	5.8	8.1	10.6	13.3	19.1	25.6	47.6	63.5	115.3

Modifications reserved



Réf : FT 752ADAENG

Rev : 0

Page 3 sur 3

Date : 01/11