

**2 PIECES BALL VALVES FLANGED ISO PN 16**



**Size :** DN 15 to 200 mm  
**Connection end :** Flanges ISO PN16  
**Min Temperature :** -30°C in SS and -20°C in carbon steel  
**Max Temperature :** + 150°C  
**Max Pressure :** 16 Bars  
**Specifications :** ISO mounting pad  
PTFE filled with glass seat  
Anti blow-out stem  
Atex

**Materials :** Carbon steel or Stainless steel

## 2 PIECES BALL VALVES FLANGED ISO PN 16

**SPECIFICATIONS :**

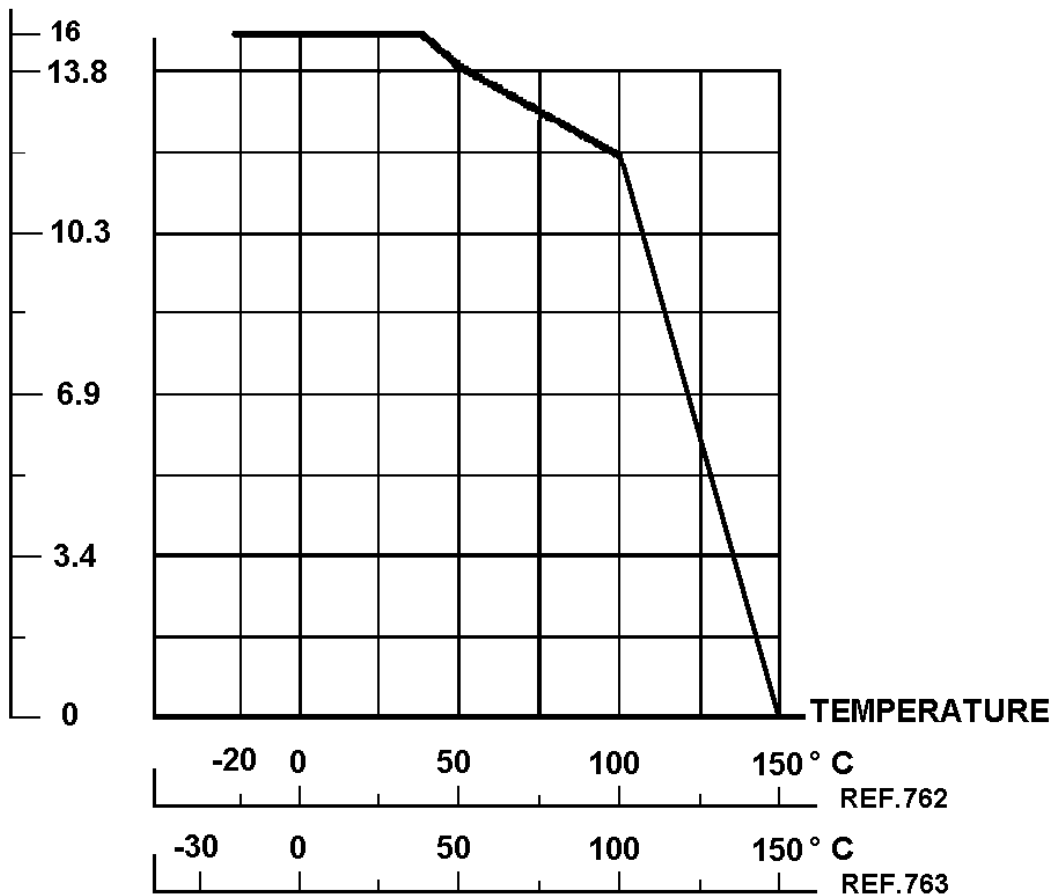
- Full bore
- Anti blow-out stem
- PTFE seat filled with glass
- Locking device
- ISO 5211 mounting pad
- 2 pieces type ( Split body )
- Hollowed ball in DN200

**USE :**

- For all common fluids
- Min and max Temperature Ts : -30°C to + 150°C for stainless steel type **Ref. 763**
- Min and max Temperature Ts : -20°C to + 150°C for carbon steel type **Ref. 762**
- Max Pressure PN : 16 bars ( see graph )

**PRESSURE / TEMPERATURE GRAPH ( STEAM EXCLUDED ) :**

**PRESSURE  
BAR**



2 PIECES BALL VALVES FLANGED ISO PN 16

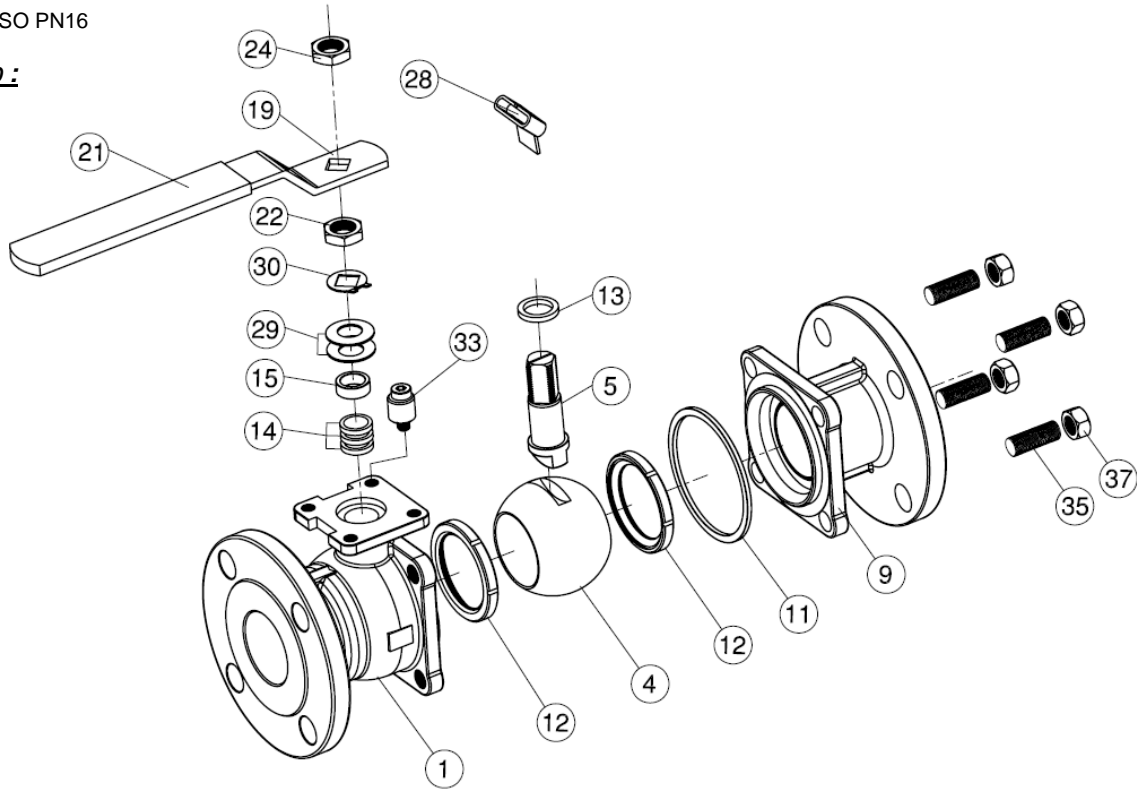
**RANGE :**

- Carbon steel Ref. 762 DN 15 to DN 200
- Stainless steel Ref. 763 DN 15 to DN 200

**ENDS :**

- Flanges R.F. ISO PN16

**MATERIALS DN 15 - 50 :**

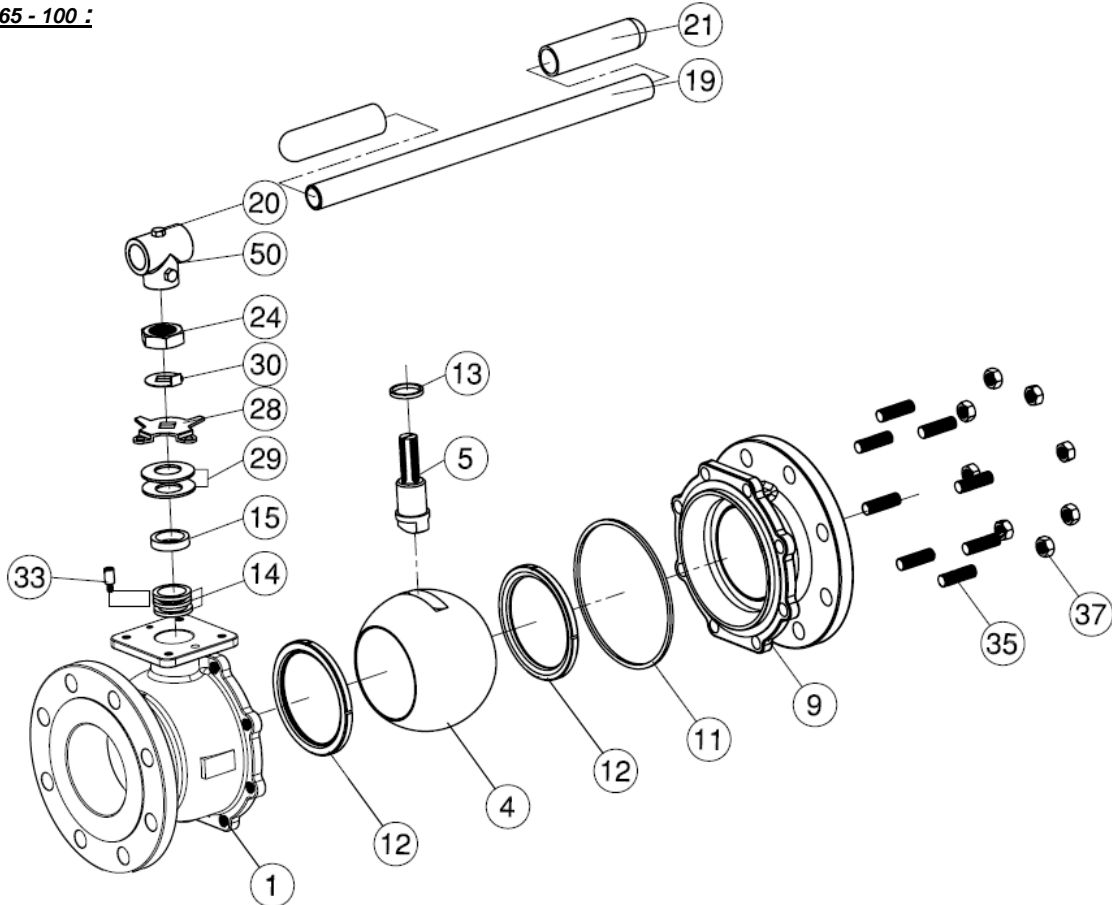


Item	Designation	Materials 762	Materials 763
1	Body	ASTM A216 WCB	ASTM A351 CF8M
4	Ball	ASTM A351 CF8	ASTM A351 CF8M
5	Stem	SS 304	SS 316
9	Ends	ASTM A216 WCB	ASTM A351 CF8M
11*	Body seal	PTFE	
12*	Seat	PTFE filled with 15% glass	
13*	Thrust washer	PTFE	
14*	Stem packing	PTFE	
15	Gland bush	SS 304	
19	Handle	SS 304	
21	Handle cover	Plastic	
22	Stem nut	SS 304	
24	Handle nut	SS 304	
28	Locking pad	SS 304	
29	Elastic washer	SS 301	
30	Tab washer	SS 304	
33	Stop pin	SS 304	
35	Body bolt	ASTM A193 Gr.B7H	ASTM A193 Gr.B8
37	Bolt nut	ASTM A194 Gr.2HM	ASTM A194 Gr.8

(\* : included in gaskets kit)

**2 PIECES BALL VALVES FLANGED ISO PN 16**

MATERIALS DN 65 - 100 :

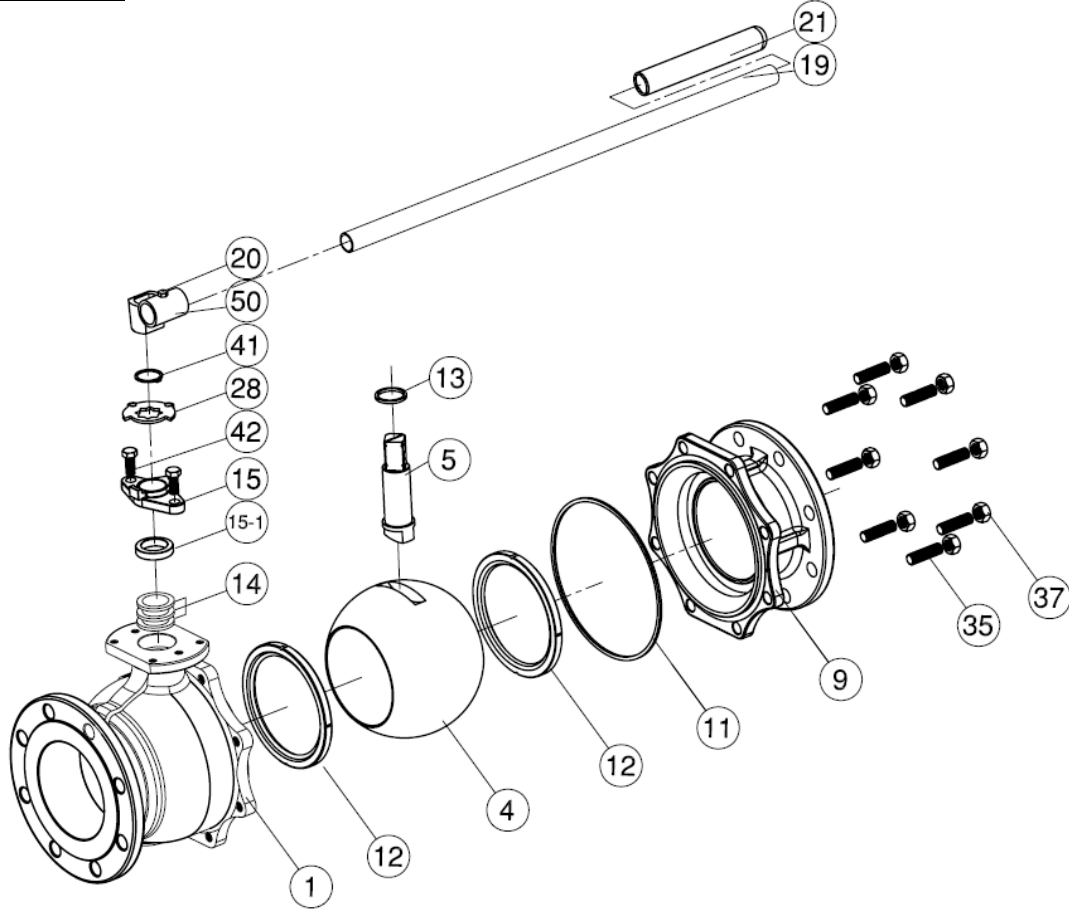


Item	Designation	Materials 762	Materials 763
1	Body	ASTM A216 WCB	ASTM A351 CF8M
4	Ball	ASTM A351 CF8	ASTM A351 CF8M
5	Stem	SS 304	SS 316
9	Ends	ASTM A216 WCB	ASTM A351 CF8M
11*	Body seal	PTFE	
12*	Seat	PTFE filled with 15% glass	
13*	Thrust washer	PTFE	
14*	Stem packing	PTFE	
15	Gland bush	SS 304	
19	Handle	LRON	
20	Set bolt	SS 304	
21	Handle cover	Plastic	
24	Handle nut	SS 304	
28	Stop plate	SS 304	
29	Elastic washer	SS 301	
30	Tab washer	SS 304	
33	Stop pin	SS 304	
35	Body bolt	ASTM A193 Gr.B7H	ASTM A193 Gr.B8
37	Bolt nut	ASTM A194 Gr.2HM	ASTM A194 Gr.8
50	Handle adapter	SS 304	

(\* : included in gaskets kit )

**2 PIECES BALL VALVES FLANGED ISO PN 16**

MATERIALS DN 125 - 200 :



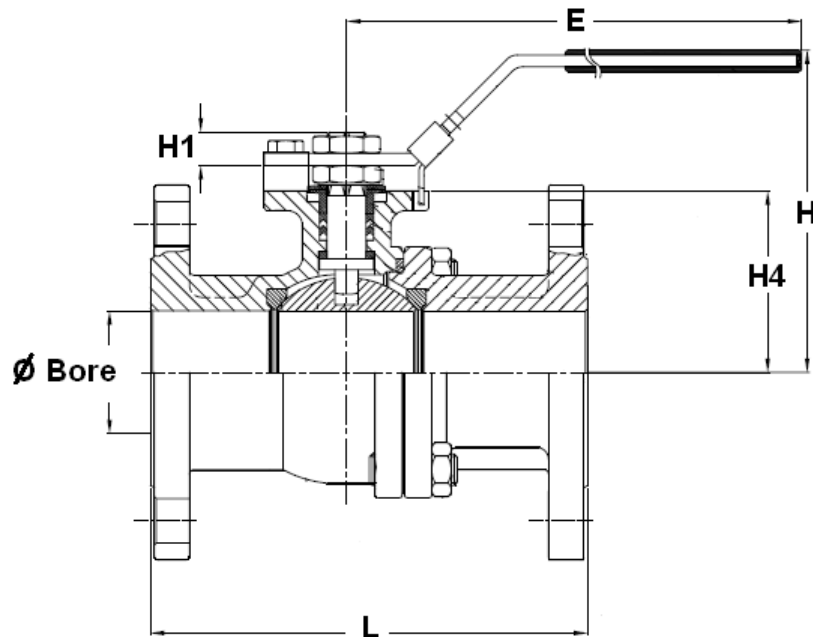
Item	Designation	Materials 762	Materials 763
1	Body	ASTM A216 WCB	ASTM A351 CF8M
4	Ball	ASTM A351 CF8	ASTM A351 CF8M
5	Stem	SS 304	SS 316
9	Ends	ASTM A216 WCB	ASTM A351 CF8M
11*	Body seal	PTFE	
12*	Seat	PTFE filled with 15% glass	
13*	Thrust washer	PTFE	
14*	Stem packing	PTFE	
15	Gland	ASTM A216 WCB	SS 304
15-1	Gland bush	SS 304	
19	Handle	LRON	
20	Set bolt	SS 304	
21	Handle cover	Plastic	
28	Stop plate	SS 304	
35	Body bolt	ASTM A193 Gr.B7H	ASTM A193 Gr.B8
37	Bolt nut	ASTM A194 Gr.2HM	ASTM A194 Gr.8
41	Snap ring	SS 304	
42	Gland bolt	SS 304	
50	Handle adapter	SS 304	

(\* : included in gaskets kit )

**2 PIECES BALL VALVES FLANGED ISO PN 16**

SIZE ( in mm ) :

**DN 15 - 50**



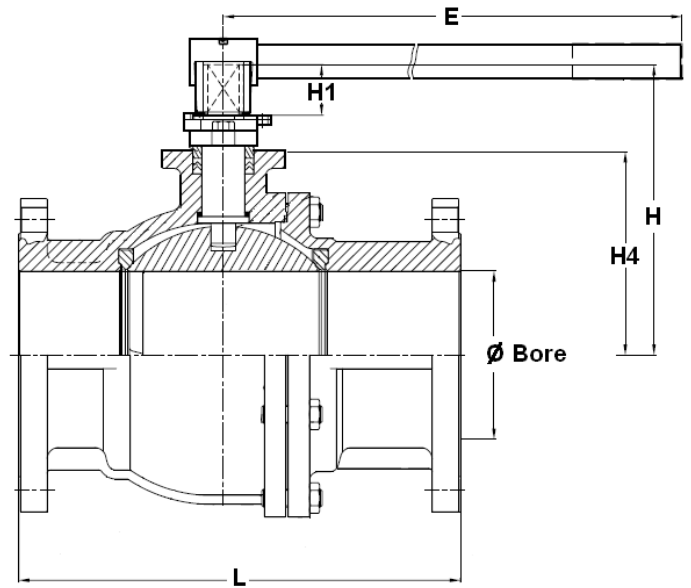
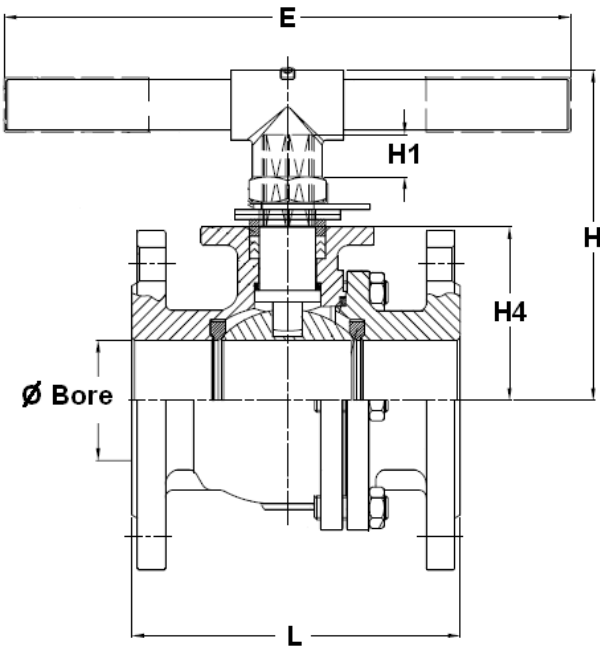
	DN	15	20	25	32	40	50
Ref.  762 / 763 DN 15 - 50	Ø Bore	15	20	25	32	38	50
	L	115	120	125	130	140	150
	E	132	132	166	166	198	198
	H	80	84.5	102	105	125	132
	H1	8.5	8.5	12	12	12	12
	H4	38.5	42.5	52	56	65.3	73.8
	Weight ( Kg )	2.2	2.85	3.85	5.28	7	9.3

**2 PIECES BALL VALVES FLANGED ISO PN 16**

SIZE ( in mm ) :

**DN 65 -100**

**DN 125 - 150**

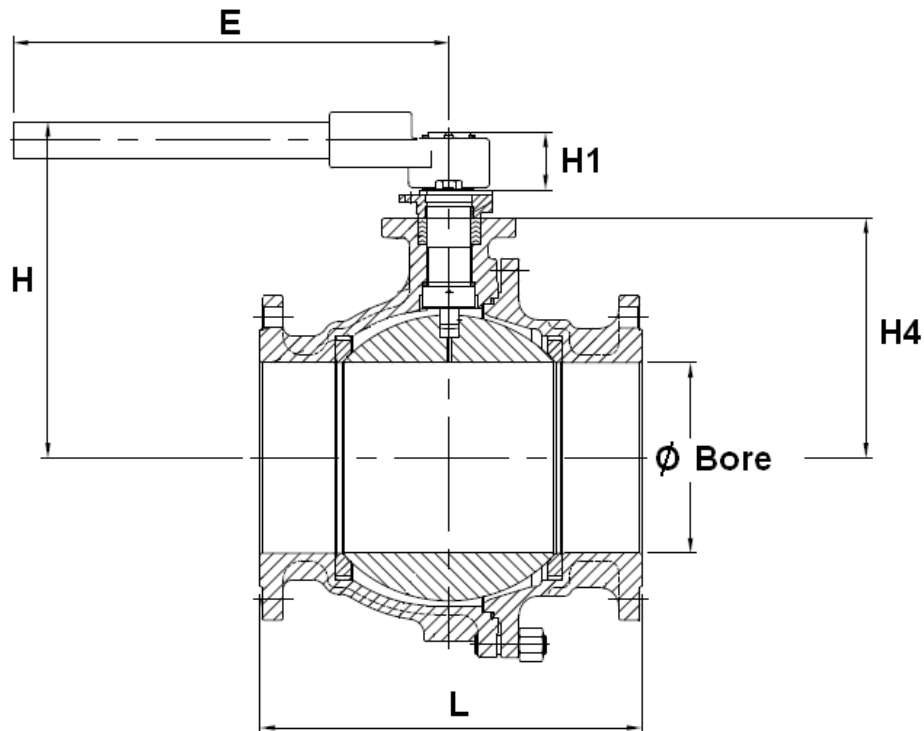


	DN	65	80	100	125	150
Ref. 762 / 763 DN 65 - 150	Ø Bore	64	76	100	125	150
	L	170	180	190	325	350
	E	300	300	450	600	800
	H	178	188	202	233	259
	H1	23	23	23	45	45
	H4	92.5	101.7	119	163	182.5
	Weight ( Kg )	13.8	17.36	23.52	47	65.4

**2 PIECES BALL VALVES FLANGED ISO PN 16**

SIZE ( in mm ) :

**DN 200**



Ref.	DN	200
762 / 763	Ø Bore	200
	L	400
	E	839.3
	H	363
	H1	43.5
	H4	251.5
	Weight ( in Kg )	136



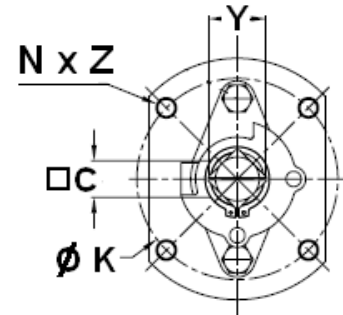
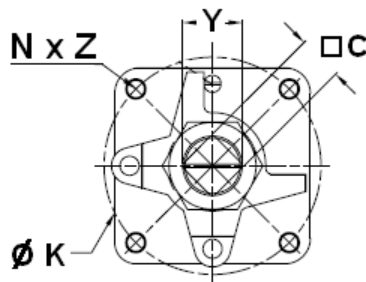
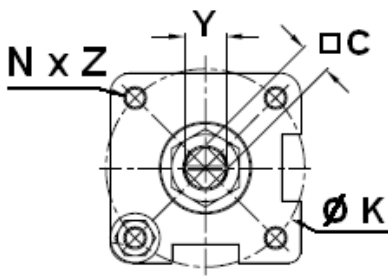
2 PIECES BALL VALVES FLANGED ISO PN 16

ISO MOUNTING PAD AND STEM SIZE ( in mm ) :

**DN 15 – 50**

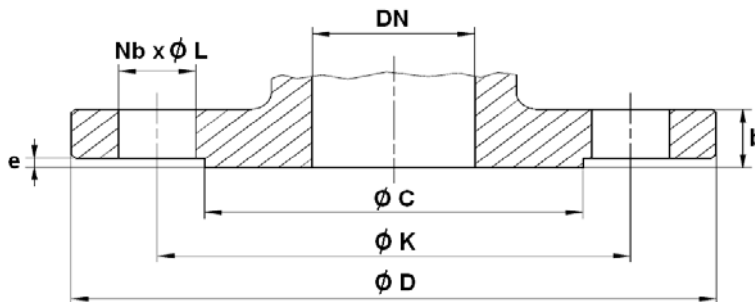
**DN 65 – 100**

**DN 125 - 200**



Ref.	DN	15	20	25	32	40	50	65	80	100	125	150	200
762 - 763	C	9	9	11	11	14	14	17	17	17	27	27	36
	Ø Y	11.2	11.2	14.3	14.3	18	18	22.3	22.3	22.3	36	36	-
	Ø K	42	42	50	50	70	70	102	102	102	125	125	140
	ISO	F04	F04	F05	F05	F07	F07	F10	F10	F10	F12	F12	F14
	N x Z	4xM5	4xM5	4xM6	4xM6	4xM8	4xM8	4xM10	4xM10	4xM10	4xM12	4xM12	4xM16

ISO PN16 FLANGES SIZE ( in mm ) :



Ref.	DN	15	20	25	32	40	50	65	80	100	125	150	200
762 - 763	Ø C	45	58	68	78	88	102	122	138	158	188	212	268
	Ø D	95	105	115	140	150	165	185	200	220	250	285	340
	Ø K	65	75	85	100	110	125	145	160	180	210	240	295
	Nb x Ø L	4 x 14	4 x 14	4 x 14	4 x 18	4 x 18	4 x 18	4 x 18	8 x 18	8 x 18	8 x 18	8 x 22	12 x 22
	b	16	18	18	18	18	20	18	20	20	22	22	24
	e	2	2	2	2	2	2	2	2	2	2	2	2

**2 PIECES BALL VALVES FLANGED ISO PN 16**

TORQUE VALUES ( in Nm without safety coefficient ) :

DN	15	20	25	32	40	50	65	80	100	125	150	200
Torque ( Nm )	2.9	5.5	10	15	25	41	42	122	170	243	290	450

STANDARDS :

- Full bore
- Fabrication according to ISO 9001
- DIRECTIVE 97/23/CE : CE N° 0035  
Risk Category II
- Construction according to EN 10213-4
- Tests according to EN 12266-1
- Flanges R.F. ISO PN16 according to EN 1092-1
- ISO 5211 mounting pad
- Length according to DIN 3202 F4/F5
- ATEX Group II Category 2 G/2D Zone 1 & 21 Zone 2 & 22 ( optional marking )

**ADVICE :** Our opinion and our advice are not guaranteed and SFERACO shall not be liable for the consequences of damages.  
The customer must check the right choice of the products with the real service conditions.

## **2 PIECES BALL VALVES FLANGED ISO PN 16**

### **INSTALLATION INSTRUCTIONS**

#### **GENERAL GUIDELINES :**

- Ensure that the valves to be used are appropriate for the conditions of the installation (type of fluid, pressure and temperature).
- Be sure to have enough valves to be able to isolate the sections of piping as well as the appropriate equipment for maintenance and repair.
- Ensure that the valves to be installed are of correct strength to be able to support the capacity of their usage.
- **Installation of all circuits should ensure that their function can be automatically tested on a regular basis (at least two times a year).**

#### **INSTALLATION INSTRUCTIONS :**

- **Before installing the valves, clean and remove any objects from the pipes** (in particular bits of sealing and metal) which could obstruct and block the valves.
- **Ensure that both connecting pipes either side of the valve (upstream and downstream) are aligned (if they're not, the valves may not work correctly).**
- **Make sure that the two sections of the pipe (upstream and downstream) match, the valve unit will not absorb any gaps. Any distortions in the pipes may affect the tightness of the connection, the working of the valve and can even cause a rupture.** To be sure, place the kit in position to ensure the assembling will work.
- **If sections of piping do not have their final support in place, they should be temporarily fixed. This is to avoid unnecessary strain on the valve.**
- Tighten the bolts in cross.
- It's recommended to operate the valve ( open and close ) 1 to 2 times per year