

2 PIECES BALL VALVES FLANGED ASA 150 ISO PN20



Size : DN 15 to 100 mm
Connection end : Flanged ASA 150 ISO PN20
Min Temperature : -30°C in SS and -20°C in carbon steel
Max Temperature : + 150°C
Max Pressure : 20 Bars
Specifications : Iso mounting pad
PTFE filled with glass seat
Anti blow-out stem
Atex

Materials : Carbon steel or Stainless steel

2 PIECES BALL VALVES FLANGED ASA 150 ISO PN20

SPECIFICATIONS :

- . Full bore
- . Anti blow-out stem
- . PTFE filled with glass seat
- . Locking device
- . Iso 5211 mounting pad
- . 2 pieces type (Split body)

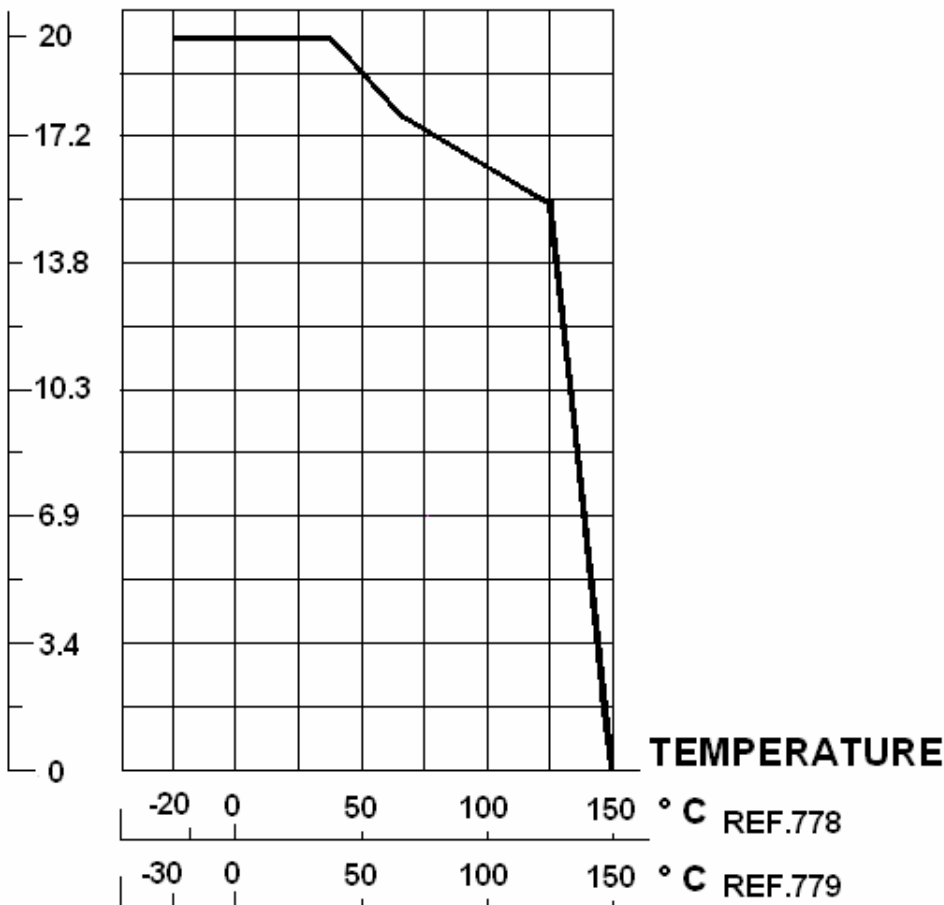
USE :

- . For all common fluids
- . Min and max Temperatures Ts : -30°C to + 150°C for stainless steel types **Ref. 779**
- . Min and max Temperatures Ts : -20°C to + 150°C for carbon steel **Ref. 778**
- . Max Pressure Ps : 20 bars (see graph)

PRESSURE / TEMPERATURE GRAPH (STEAM EXCLUDED) :

PRESSURE

BAR



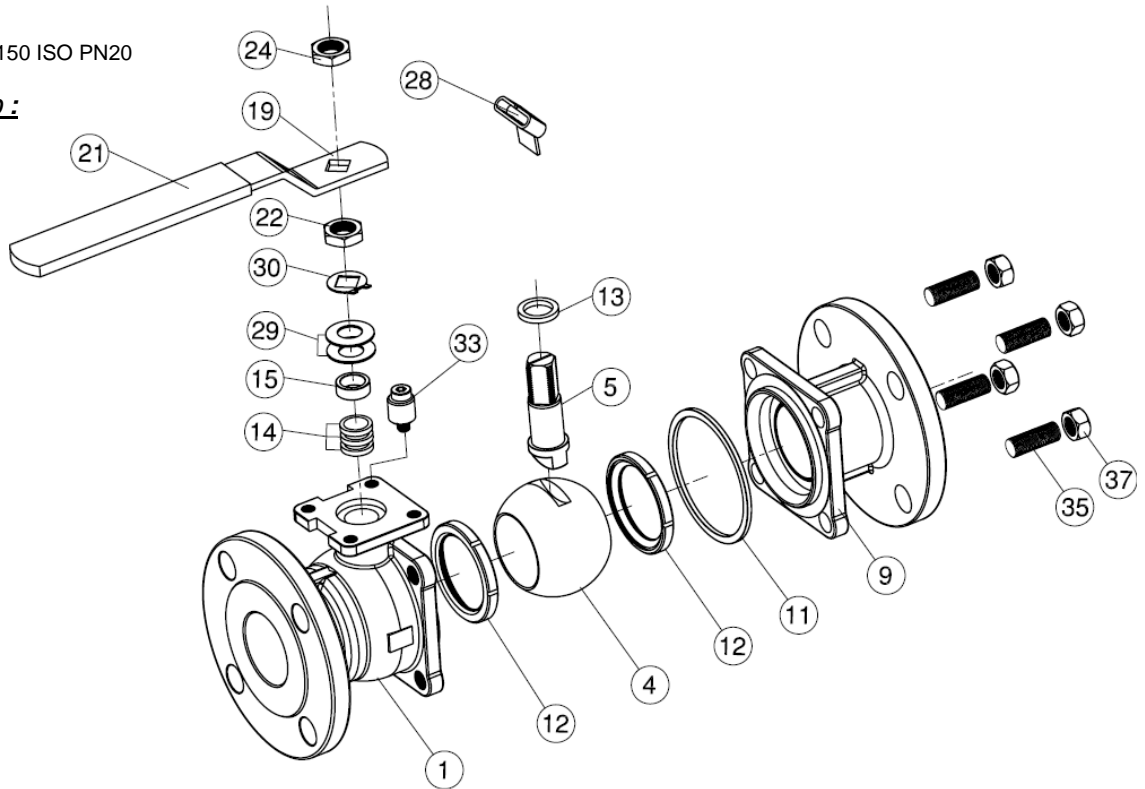
2 PIECES BALL VALVES FLANGED ASA 150 ISO PN20

RANGE :

- Carbon steel **Ref. 778** DN 15 to DN 100
- Stainless steel **Ref. 779** DN 15 to DN 100

ENDS :

- Flanges ASA 150 ISO PN20

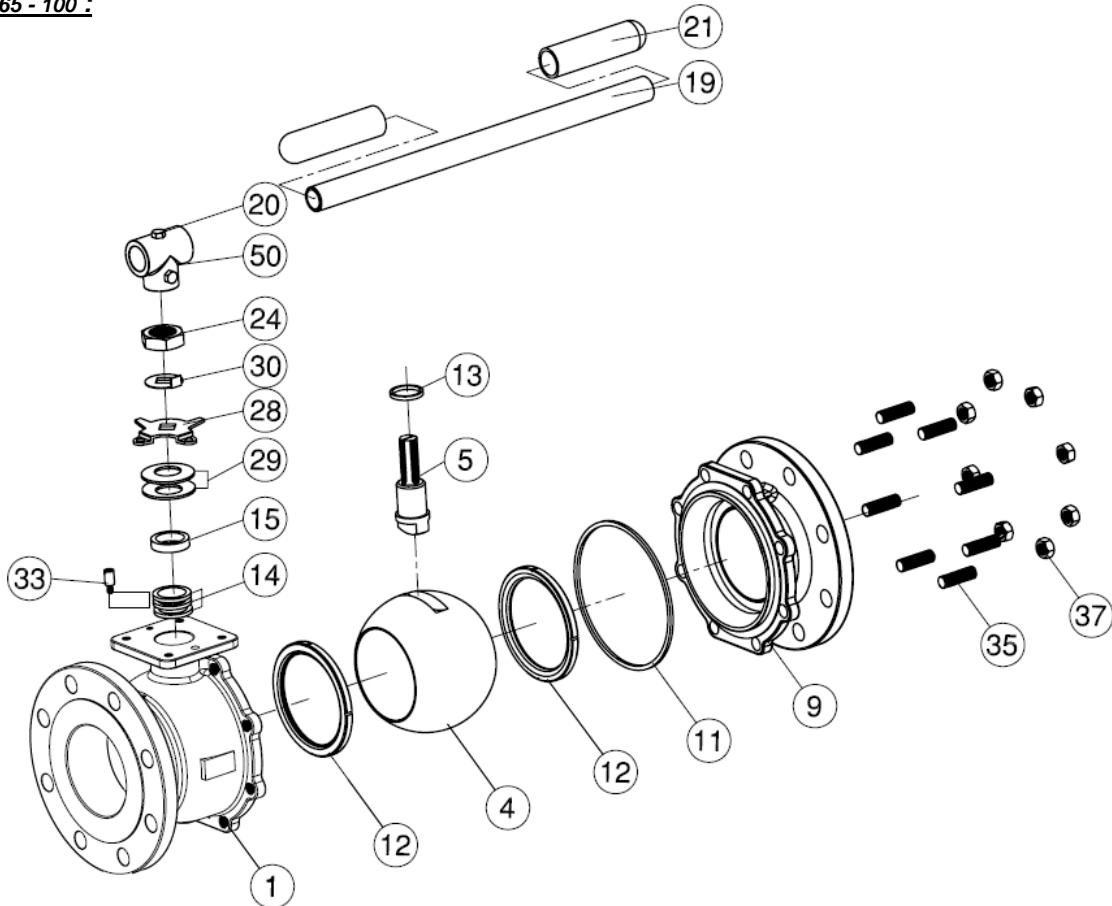
MATERIALS DN 15 - 50 :


Item	Designation	Materials 778	Materials 779
1	Body	ASTM A216 WCB	ASTM A351 CF8M
4	Ball	ASTM A351 CF8	ASTM A351 CF8M
5	Stem	SS 304	SS 316
9	Ends	ASTM A216 WCB	ASTM A351 CF8M
11*	Body seal	PTFE	
12*	Seat	PTFE filled with 15% glass	
13*	Thrust washer	PTFE	
14*	Stem packing	PTFE	
15	Gland bush	SS 304	
19	Handle	SS 304	
21	Handle cover	Plastic	
22	Stem nut	SS 304	
24	Handle nut	SS 304	
28	Locking pad	SS 304	
29	Elastic washer	SS 301	
30	Tab washer	SS 304	
33	Stop pin	SS 304	
35	Body bolt	ASTM A193 Gr.B7H	ASTM A193 Gr.B8
37	Bolt nut	ASTM A194 Gr.2HM	ASTM A194 Gr.8

(* : included in gaskets kit)

2 PIECES BALL VALVES FLANGED ASA 150 ISO PN20

MATERIALS DN 65 - 100 :



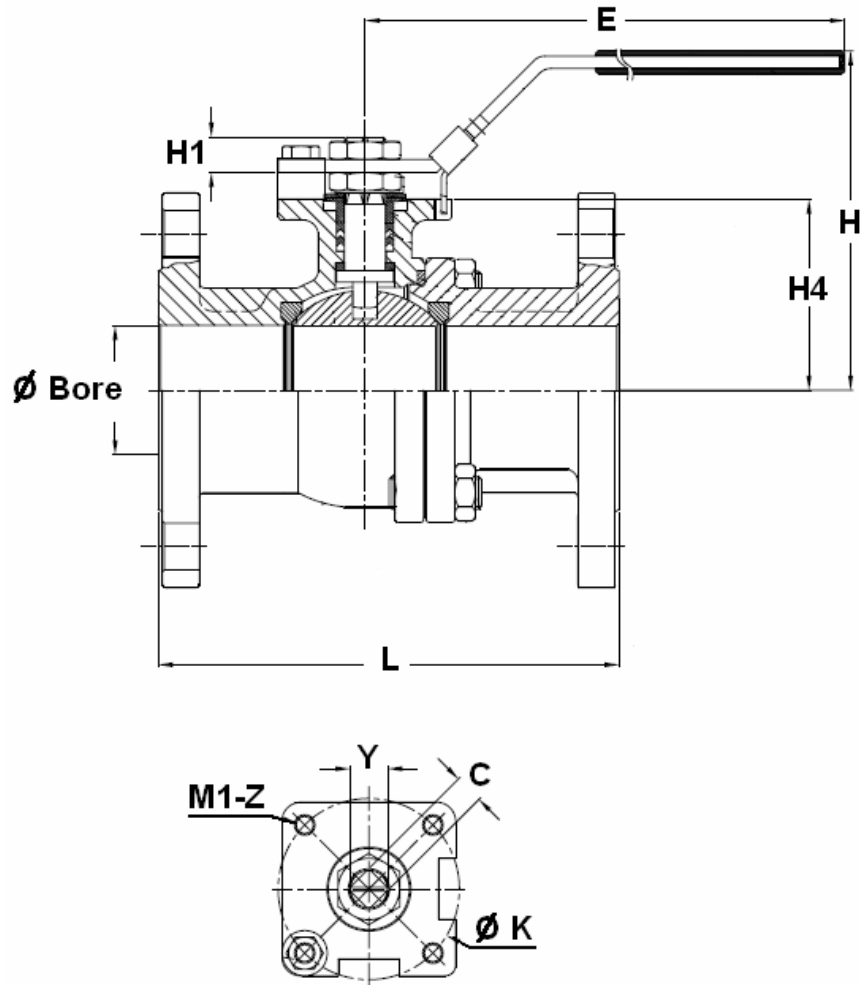
Item	Designation	Materials 778	Materials 779
1	Body	ASTM A216 WCB	ASTM A351 CF8M
4	Ball	ASTM A351 CF8	ASTM A351 CF8M
5	Stem	SS 304	SS 316
9	Ends	ASTM A216 WCB	ASTM A351 CF8M
11*	Body seal	PTFE	
12*	Seat	PTFE filled with 15% glass	
13*	Thrust washer	PTFE	
14*	Stem packing	PTFE	
15	Gland bush	SS 304	
19	Handle	LRON	
20	Set bolt	SS 304	
21	Handle cover	Plastic	
24	Handle nut	SS 304	
28	Stop plate	SS 304	
29	Elastic washer	SS 301	
30	Tab washer	SS 304	
33	Stop pin	SS 304	
35	Body bolt	ASTM A193 Gr.B7H	ASTM A193 Gr.B8
37	Bolt nut	ASTM A194 Gr.2HM	ASTM A194 Gr.8
50	Handle adapter	SS 304	

(* : included in gaskets kit)

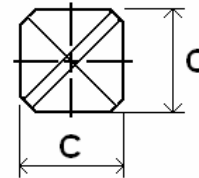
2 PIECES BALL VALVES FLANGED ASA 150 ISO PN20

SIZE (in mm) :

DN 15 - 50



Stem size :



	DN	15	20	25	32	40	50
Ref.	Ø Bore	15	20	25	32	38	50
	L	108	117	127	140	165	178
778 / 779	E	131	131	165	165	200	200
	H	80	84.5	102	102	125	132
DN 15 - 50	H1	8.5	8.5	12	12	12	12
	H4	38.5	42.5	52	56	65.3	73.8
	C	9	9	11	11	14	14
	Ø Y	11.2	11.2	14.3	14.3	18	18
	Ø K	42	42	50	50	70	70
	M1-Z	4xM5	4xM5	4xM6	4xM6	4xM8	4xM8
	Weight (Kg)	1.58	2.04	3.18	4.48	6	8.51

Sferaco 90 rue du Ruisseau 38297 St Quentin Fallavier Tel: (33)04.74.94.15.90 Fax: (33)04.74.95.62.08 Internet : www.sferaco.fr E-mail : sferaco@sferaco.fr

Date : 09/09

Page 5 sur 7

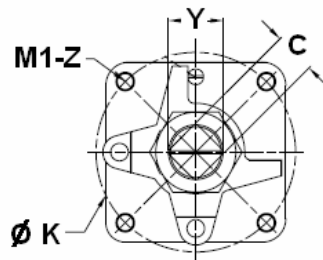
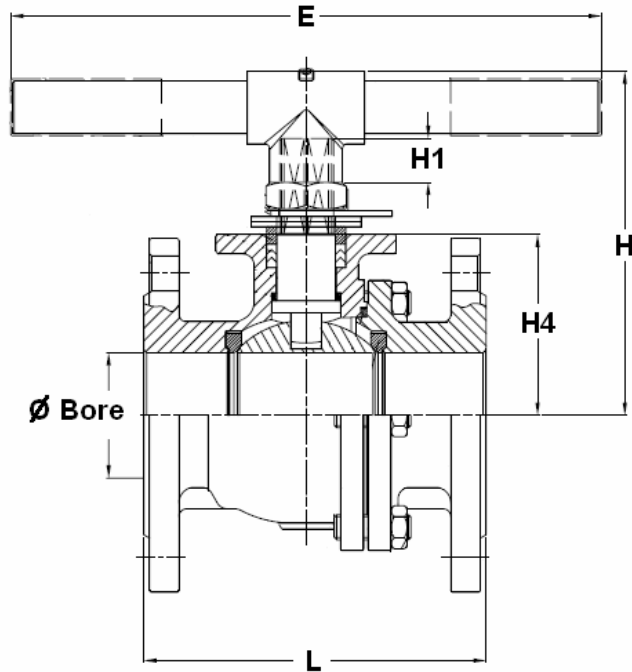
Rev.

Informations provided as an indication and subject to possible modifications

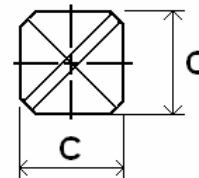
2 PIECES BALL VALVES FLANGED ASA 150 ISO PN20

SIZE (in mm) :

DN 65 -100



Stem size :



	DN	65	80	100
Ref. 778 / 779 DN 65 - 100	Ø Bore	64	76	100
	L	190	203	229
	E	300	300	450
	H	176.8	185.5	200
	H1	23	23	23
	H4	92.5	101.7	119
	C	17	17	17
	Ø Y	22.3	22.3	22.3
	Ø K	102	102	102
	M1-Z	4xM10	4xM10	4xM10
Weight (Kg)	14.46	17.6	26.7	

2 PIECES BALL VALVES FLANGED ASA 150 ISO PN20**TORQUE VALUES (in Nm without safety coefficient) :**

DN	15	20	25	32	40	50	65	80	100
Torque (Nm)	2.9	5.5	10	15	25	41	42	122	170

STANDARDS :

- . Fabrication according to ISO 9001
- . DIRECTIVE 97/23/CE : CE N° 0035
Risk category II
- . Construction according to ANSI B16.34
- . Tests according to EN 12266-1
- . Flanges according to ANSI B16.5
- . ISO 5211 mounting pad
- . Length according to ANSI B16.10
- . ATEX Group II Category 2 G/2D Zone 1 & 21 Zone 2 & 22 (optional marking)

ADVICE : Our opinion and our advice are not guaranteed and SFERACO shall not be liable for the consequences of damages.
The customer must check the right choice of the products with the real service conditions.