

2 PIECES BALL VALVE WITH WELDING ENDS



Size : DN 8 to DN 50
Ends : But Welding
Min Temperature : - 30°C in stainless steel and -20°C in carbon steel
Max Temperature : + 180°C
Max Pressure : 138 Bars (800 lbs)
Specifications : Anti blow-out stem
Fire safe
Full bore

Materials : Carbon steel or Stainless steel

2 PIECES BALL VALVE WITH WELDING ENDS

SPECIFICATIONS :

- Full bore
- Anti blow-out stem
- Ends 100 mm But Welding schedule 80
- Class 800 lbs
- Fire safe according to BS 6755 part.2
- Antistatic device
- 2 pieces type

USE :

- For all common fluids
- Min and max Temperature Ts : - 30°C to + 180°C in stainless steel Ref.719
- Min and max Temperature Ts : - 20°C to + 180°C in carbon steel Ref.718
- Max Pressure PN : 138 bars

RANGE :

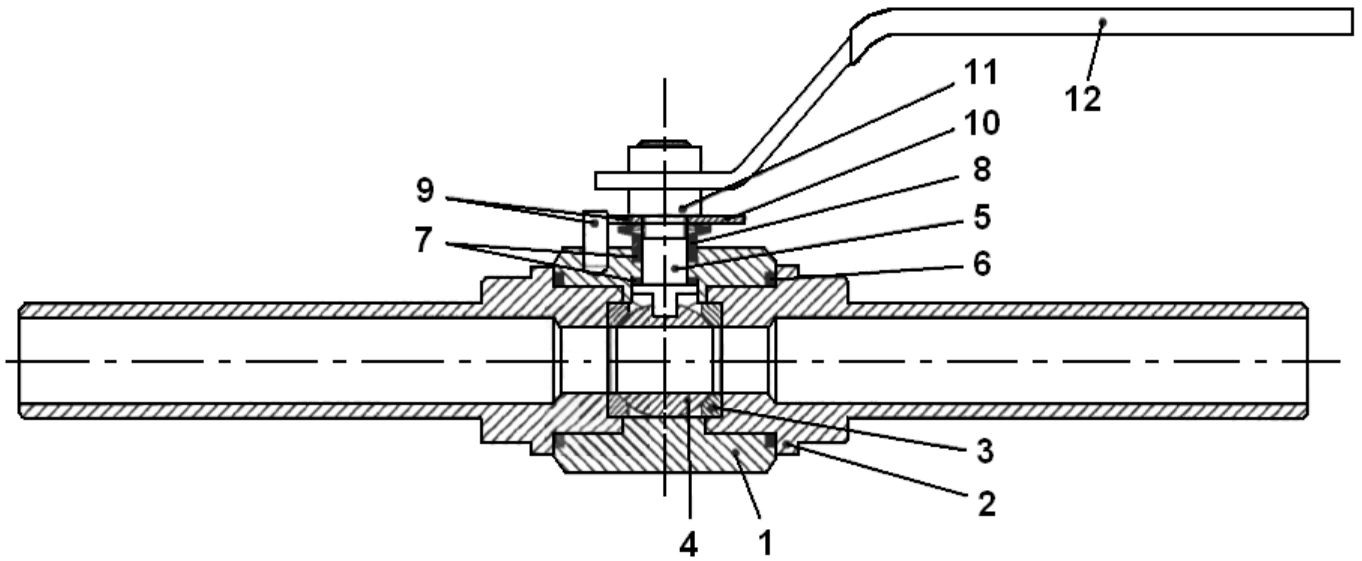
- Carbon steel with But Welding ends **Ref. 718** DN 8 to DN 50
- Stainless steel with But Welding ends **Ref. 719** DN 8 to DN 50
- Stainless steel 304 with red cover handle **Ref. 9830316-9830318**
- Locking device **Ref. 9830313-9830315**

ENDS :

- But Welding ends schedule 80

2 PIECES BALL VALVE WITH WELDING ENDS

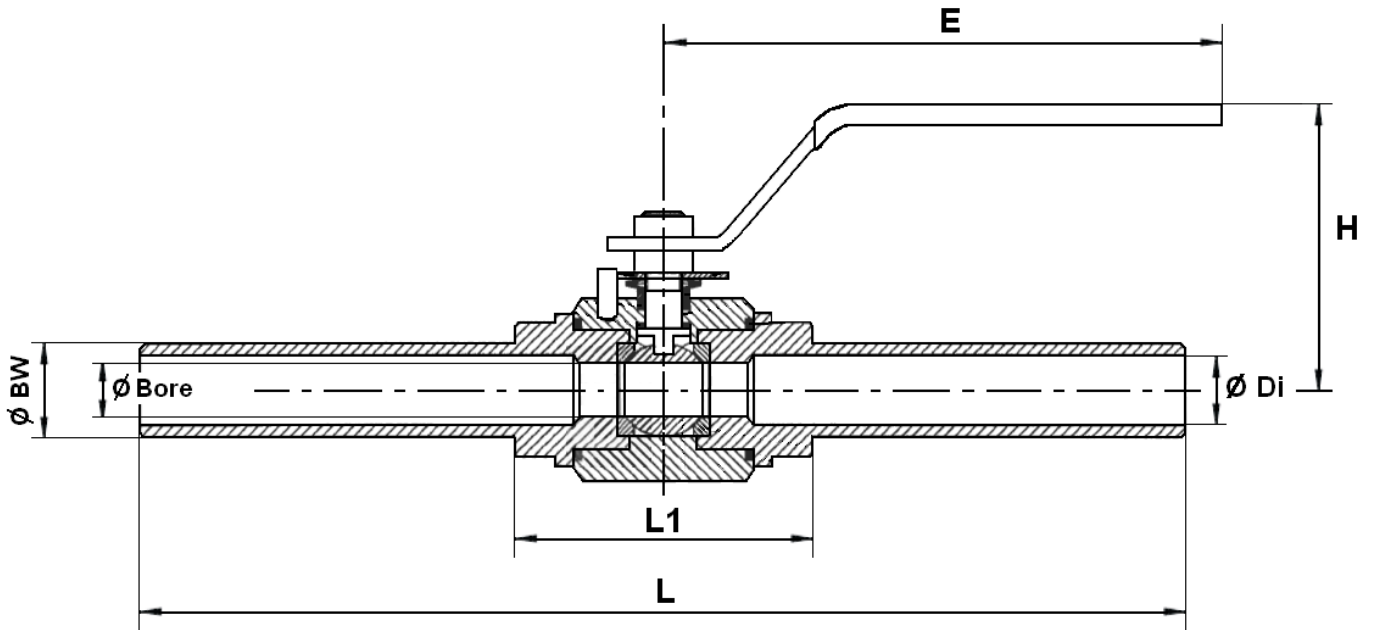
MATERIALS :



Item	Designation	Materials 718	Materials 719
1	Body	ASTM A105	ASTM A182 F316
2	Ends	ASTM A105	ASTM A182 F316
3	Seat	PTFE + carbongraphite	
4	Ball	ASTM A182 F316	
5	Stem	ASTM A182 F316	
6	Body gasket	Carbongraphite	
7	Stem gasket	Carbongraphite	
8	Packing gland	ASTM A105	F304
9	Stop	FE P11 (UNI 5867)	
10	Disc springs	Steel	
11	Nut	Steel 6S	
12	Handle	FE P11 (UNI 5867)	

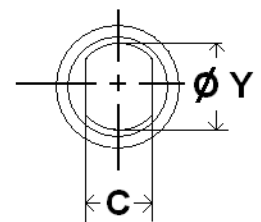
2 PIECES BALL VALVE WITH WELDING ENDS

SIZE (in mm) :



	DN	8	10	15	20	25	32	40	50
Ref. 718/719	Ø Bore	10	10	15	20	25	30	38	48
	L	267	267	275	290	305	320	335	355
	L1	67	67	75	90	105	120	135	155
	E	148	148	148	180	180	240	240	280
	H	72	72	75	85	95	100	105	115
	Ø BW	13.5	17.2	21.3	26.7	33.4	42.2	48.3	60.3
	Ø Di	7.7	10.8	13.9	18.8	24.3	32.5	38.1	49.2
	C	5	5	5.5	7.5	7.5	9	9	9
	Ø Y	8	8	10	12	12	14	14	14
	Weight (Kg)	0.6	0.6	1	2	4	5.5	7	9

Stem size :



2 PIECES BALL VALVE WITH WELDING ENDS

STANDARDS :

- Fabrication according to ISO 9001 : 2000
- DIRECTIVE 97/23/CE : CE N° 0948
- Tests according to API 598
- But Welding ends according to ANSI B16.25
- Fire safe according to B.S. 6755 part.2

ADVICE : Our opinion and our advice are not guaranteed and SFERACO shall not be liable for the consequences of damages. The customer must check the right choice of the products with the real service conditions.

INSTALLATION AND MAINTENANCE

BEFORE INSTALLATION :

Pipe-line must be cleaned and free from residual of weldings, rubbish, shaving and every kind of extraneous materials. Pipe-line must be perfectly aligned and their support properly dimensioned so that there's no external constraint.

Please use the right product according to the services conditions to seal the valve. Use the right bolt tightening so that the ends won't be damaged.

CLEANING AND TESTS

Keep closed the valves during the cleaning operation so that there's no impurities between the ball and the body.

Tests under pressure must be done with a cleaned pipe-line.

Open partially the valve for tests. Pressure test do not exceed the valve specifications according to EN 12266-1.

MAINTENANCE

It's recommended to operate the valve (open and close) 1 to 2 times per year.

When intervention on the valve, be sure there's no pressure in the pipe-line, there's no fluid in it, and that it is isolated. The temperature must be low enough to operate without risks. If there's a corrosive fluid, inert installation before intervention.