

2 PIECES BALL VALVES FLANGED ISO PN 16



Size : DN 15 to 150 mm
Ends : Flanges ISO PN16/40 R.F.
Min Temperature : - 20°C
Max Temperature : + 150°C
Max Pressure : 40 Bars up to DN50 (16 bars over)
Specifications : ISO 5211 mounting pad
PTFE filled with glass seat
Anti blow-out stem
Double antistatic device

Materials : Carbon steel or stainless steel

2 PIECES BALL VALVES FLANGED ISO PN 16

SPECIFICATIONS :

- Full bore
- Anti blow-out stem
- Double antistatic device
- PTFE filled with glass seat
- Handle with locking device
- ISO 5211 mounting pad
- 2 pieces type (Split body)
- Hollow ball for DN125 and DN150
- Black anti-corrosive finish, 3-5µ thickness for carbon steel types Ref.764

USE :

- Chemical industries, petrochemical industries, hydraulic installation, compressed air, heating and water distribution
- Min and max Temperature Ts : -20°C to + 150°C
- Max pressure PN : 40 bars up to DN50, 16 bars over

RANGE :

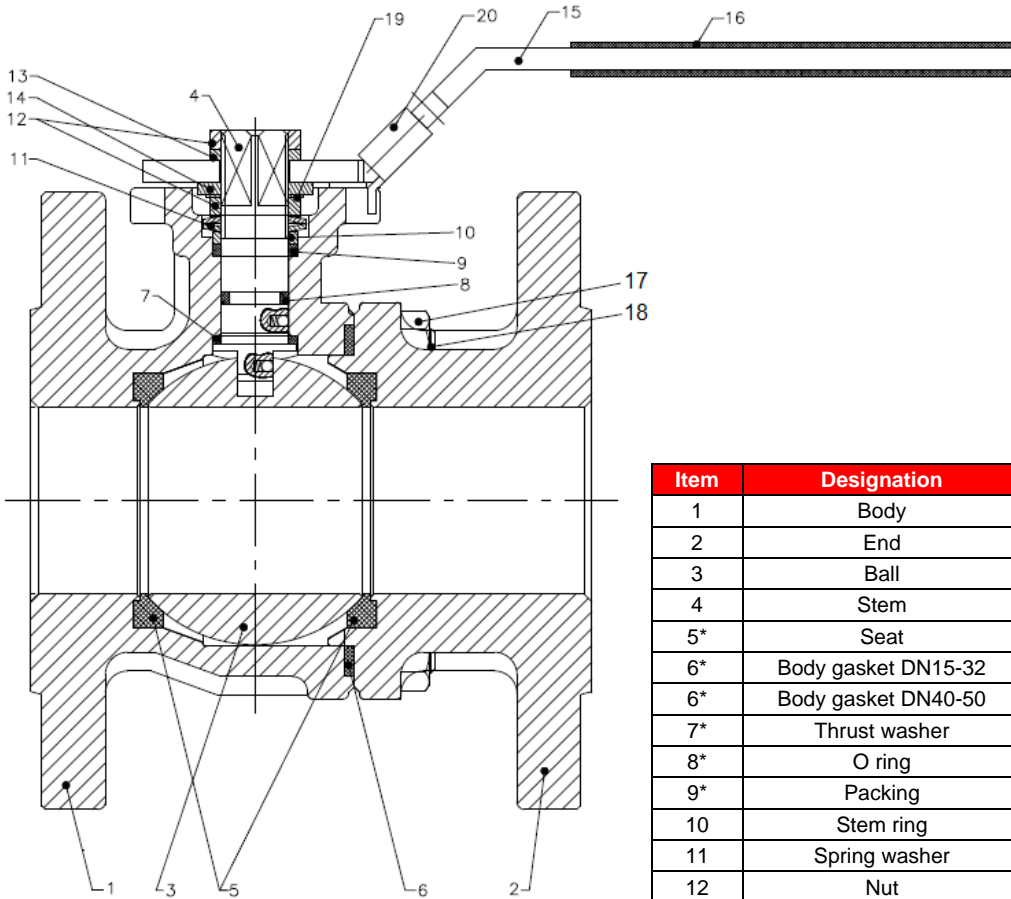
- Carbon steel body **Ref. 764** from DN 15 to DN 150
- Stainless steel body **Ref. 765** from DN 15 to DN 150

ENDS :

- R.F. flanges ISO PN40 up to DN50, ISO PN16 over

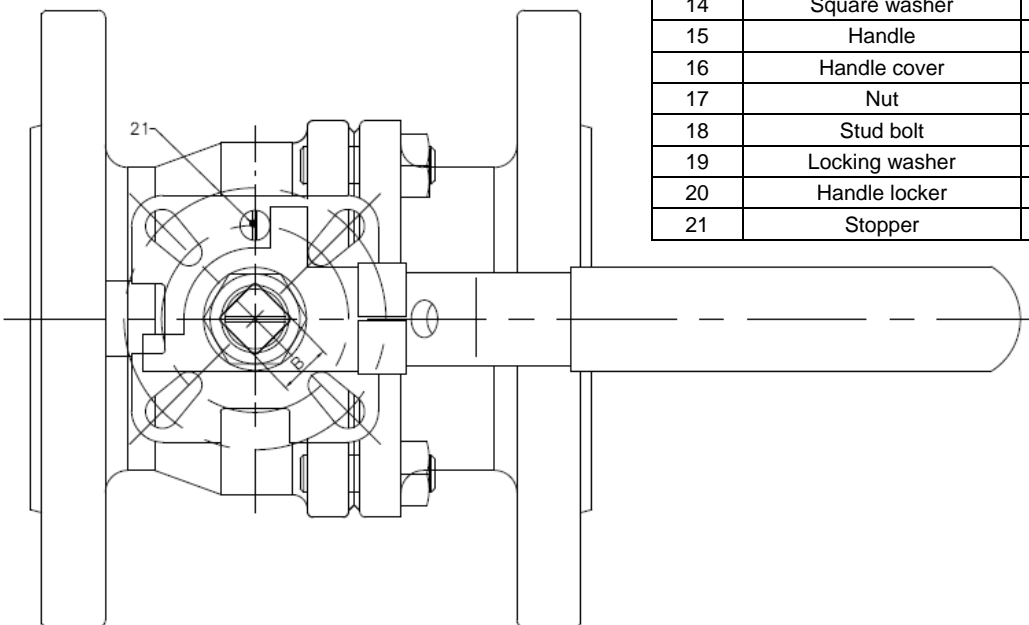
2 PIECES BALL VALVES FLANGED ISO PN 16

MATERIALS DN 15 - 50 :



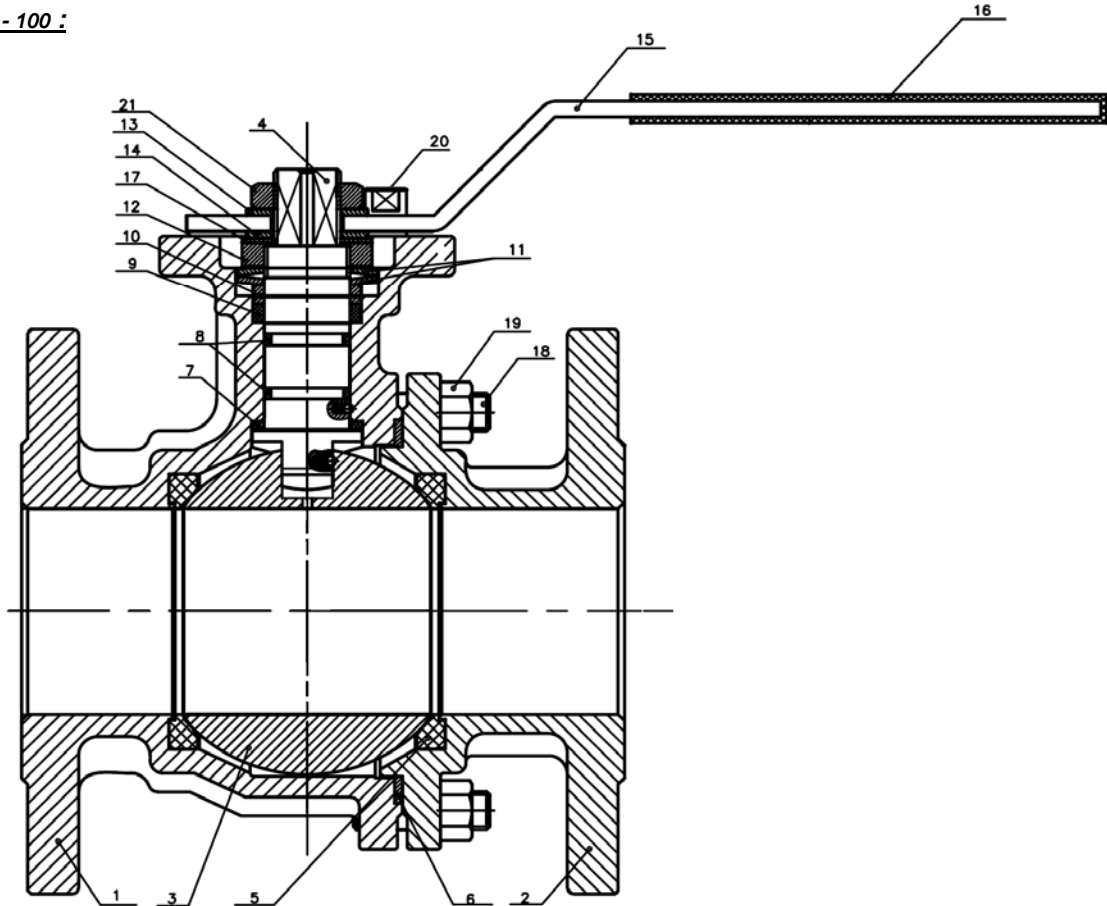
| Item | Designation | Materials 764 | Materials 765 |
|------|---------------------|---------------------------------|----------------|
| 1 | Body | ASTM A216 WCB | ASTM A351 CF8M |
| 2 | End | ASTM A216 WCB | ASTM A351 CF8M |
| 3 | Ball | SS 304 | SS 316 |
| 4 | Stem | SS 316 | |
| 5* | Seat | PTFE filled with 3% glass fiber | |
| 6* | Body gasket DN15-32 | PTFE filled with 15% graphite | |
| 6* | Body gasket DN40-50 | SS 304 + graphite | |
| 7* | Thrust washer | PTFE filled with 15% graphite | |
| 8* | O ring | FKM | |
| 9* | Packing | PTFE | |
| 10 | Stem ring | SS 304 | |
| 11 | Spring washer | SS 301 | |
| 12 | Nut | SS 304 | |
| 13 | Flat washer | SS 304 | |
| 14 | Square washer | SS 304 | |
| 15 | Handle | SS 304 | |
| 16 | Handle cover | Plastic | |
| 17 | Nut | SS 304 | |
| 18 | Stud bolt | SS 304 | |
| 19 | Locking washer | SS 304 | |
| 20 | Handle locker | SS 304 | |
| 21 | Stopper | SS 304 | |

(* : Included in gaskets kit)



2 PIECES BALL VALVES FLANGED ISO PN 16

MATERIALS DN 65 - 100 :

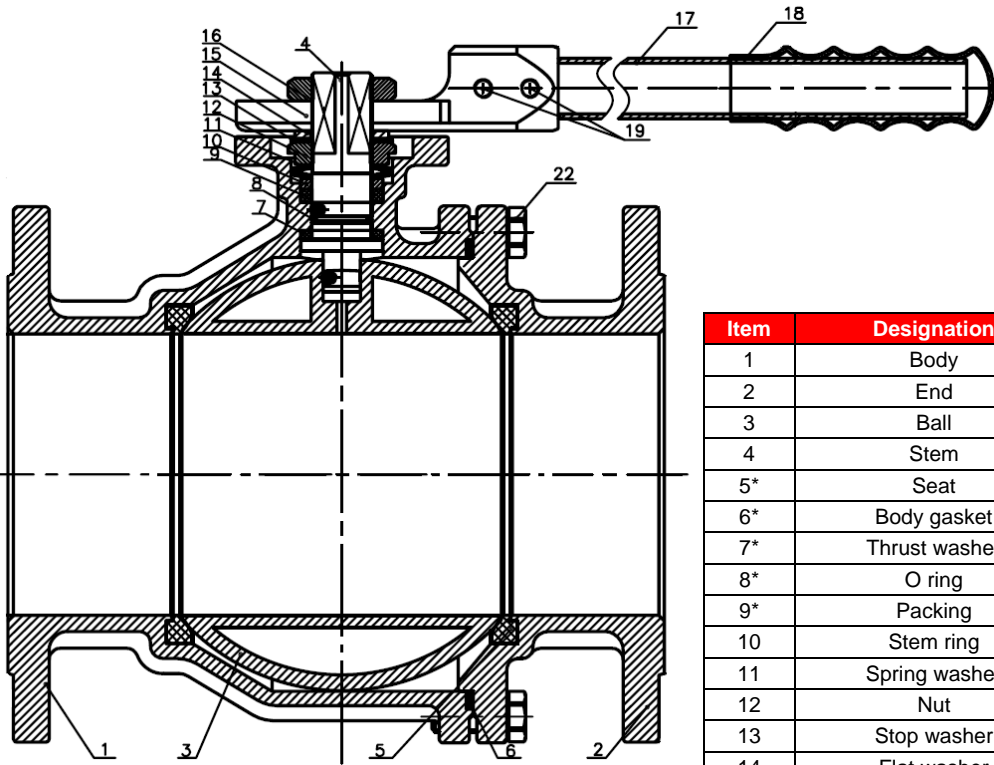


| Item | Designation | Materials 764 | Materials 765 |
|------|----------------|---------------------------------|----------------|
| 1 | Body | ASTM A216 WCB | ASTM A351 CF8M |
| 2 | End | ASTM A216 WCB | ASTM A351 CF8M |
| 3 | Ball | SS 304 | SS 316 |
| 4 | Stem | SS 316 | |
| 5* | Seat | PTFE filled with 3% glass fiber | |
| 6* | Body gasket | SS 304 + graphite | |
| 7* | Thrust washer | PTFE filled with 15% graphite | |
| 8* | O ring | FKM | |
| 9* | Packing | PTFE | |
| 10 | Stem ring | SS 304 | |
| 11 | Spring washer | SS 301 | |
| 12 | Nut | SS 304 | |
| 13 | Flat washer | SS 304 | |
| 14 | Washer | SS 304 | |
| 15 | Handle | SS 304 | |
| 16 | Handle cover | Plastic | |
| 17 | Locking washer | SS 304 | |
| 18 | Stud bolt | SS 304 | |
| 19 | Nut | SS 304 | |
| 20 | Stopper | SS 304 | |
| 21 | Handle nut | SS 304 | |

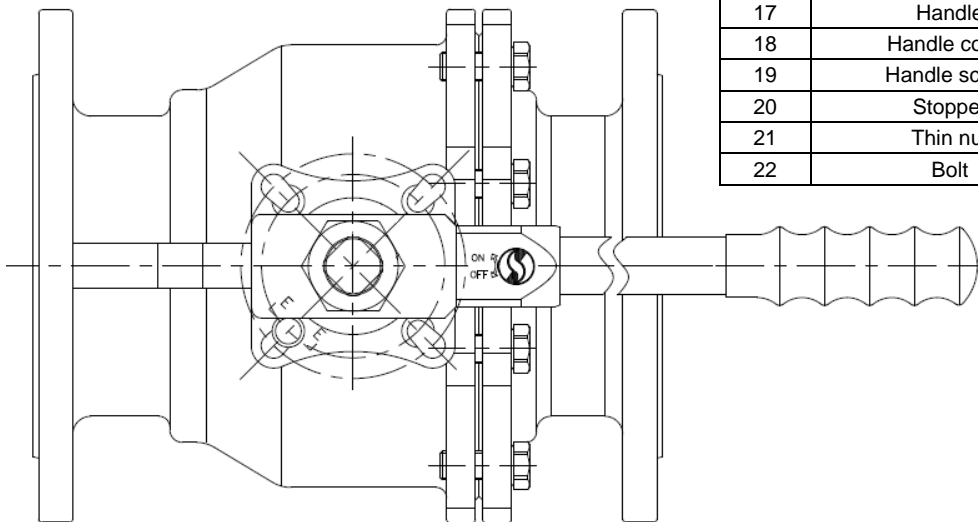
(* : Included in gaskets kit)

2 PIECES BALL VALVES FLANGED ISO PN 16

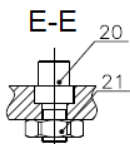
MATERIALS DN 125 - 150 :



| Item | Designation | Materials 764 | Materials 765 |
|------|---------------|----------------------------------|----------------|
| 1 | Body | ASTM A216 WCB | ASTM A351 CF8M |
| 2 | End | ASTM A216 WCB | ASTM A351 CF8M |
| 3 | Ball | SS 304 | SS 316 |
| 4 | Stem | SS 316 | |
| 5* | Seat | PTFE filled with 15% glass fiber | |
| 6* | Body gasket | SS 304 + graphite | |
| 7* | Thrust washer | PTFE filled with 15% graphite | |
| 8* | O ring | FKM | |
| 9* | Packing | PTFE | |
| 10 | Stem ring | SS 304 | |
| 11 | Spring washer | SS 301 | |
| 12 | Nut | ASTM A351 CF8 | |
| 13 | Stop washer | SS 304 | |
| 14 | Flat washer | SS 304 | |
| 15 | Handle seat | ASTM A351 CF8 | |
| 16 | Nut | ASTM A351 CF8 | |
| 17 | Handle | SS 304 | |
| 18 | Handle cover | Plastic | |
| 19 | Handle screw | SS 304 | |
| 20 | Stopper | SS 304 | |
| 21 | Thin nut | SS 304 | |
| 22 | Bolt | SS 304 | |



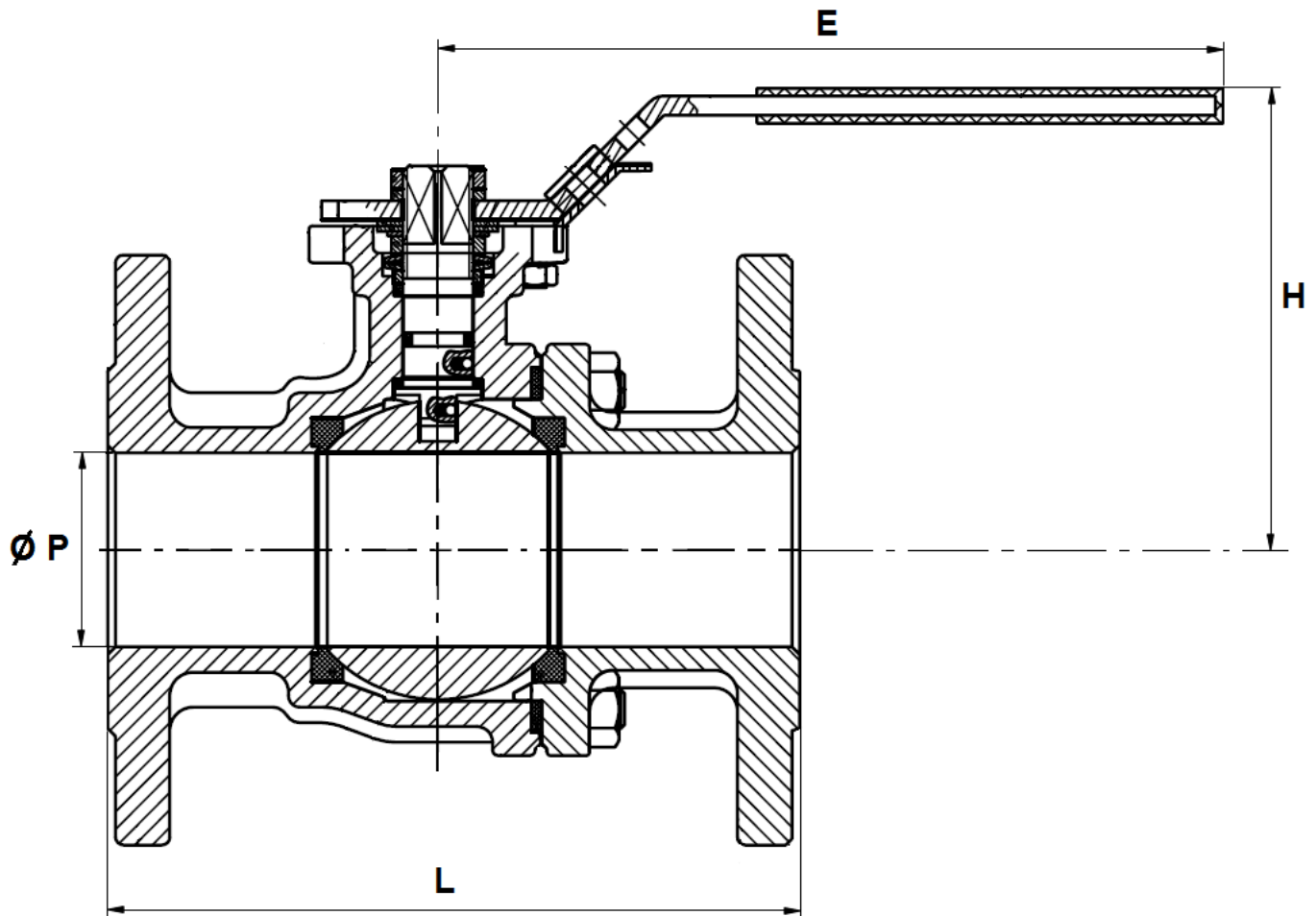
(* : Included in gaskets kit)



2 PIECES BALL VALVES FLANGED ISO PN 16

SIZE DN 15 - 50 (in mm) :

DN 15 - 50

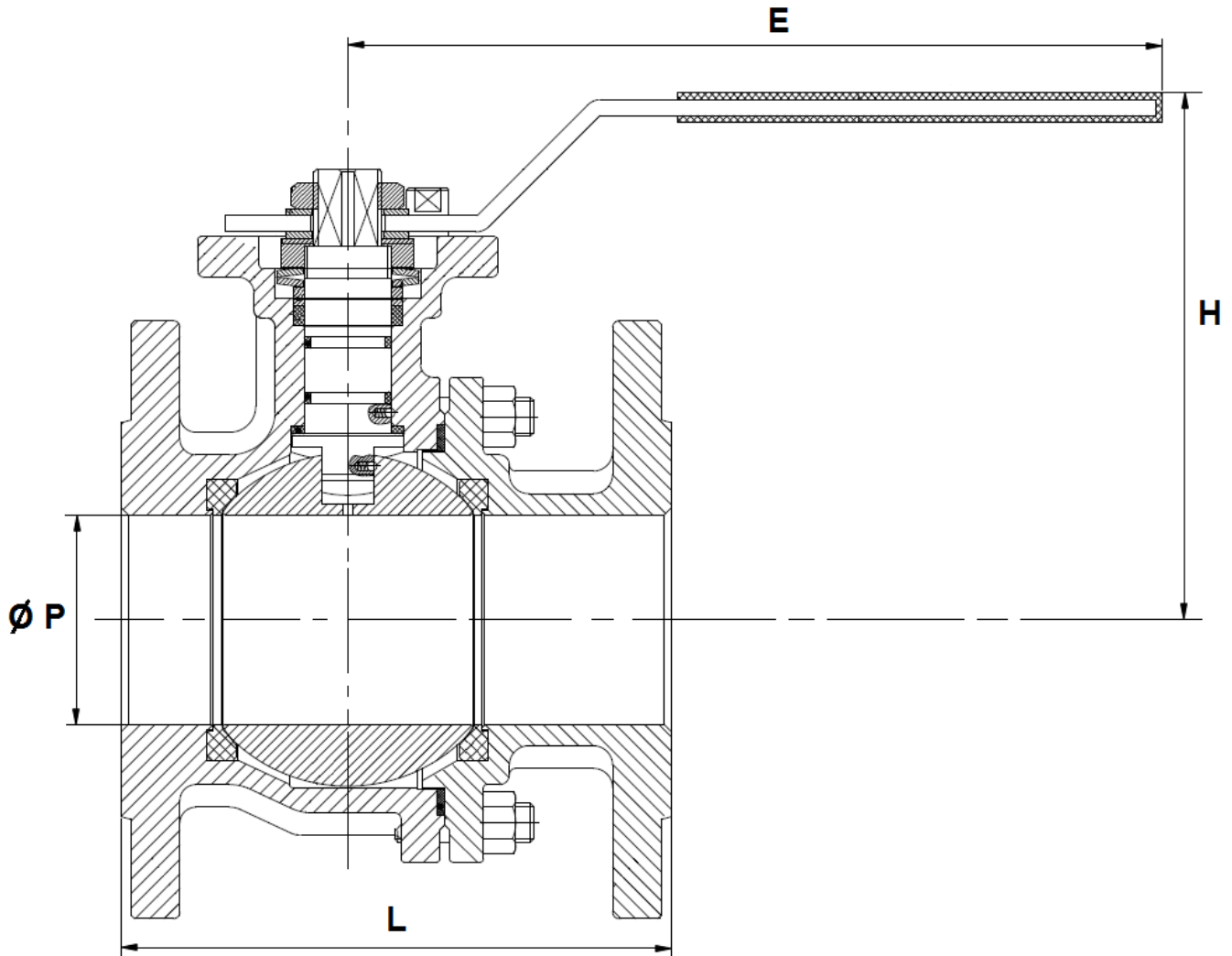


| Ref. | DN | 15 | 20 | 25 | 32 | 40 | 50 |
|-----------|---------------|-------|-------|-------|-------|-------|-------|
| 764 / 765 | Ø P | 15 | 20 | 25 | 32 | 40 | 50 |
| | L | 115 | 120 | 125 | 130 | 140 | 150 |
| | E | 161.2 | 161.2 | 161.2 | 204.5 | 204.5 | 204.5 |
| | H | 82.7 | 83.2 | 88.2 | 111 | 112 | 120 |
| | Weight (Kg) | 2.2 | 3.02 | 3.79 | 5.74 | 6.79 | 9.33 |

2 PIECES BALL VALVES FLANGED ISO PN 16

SIZE DN 65 - 100 (in mm) :

DN 65 - 100

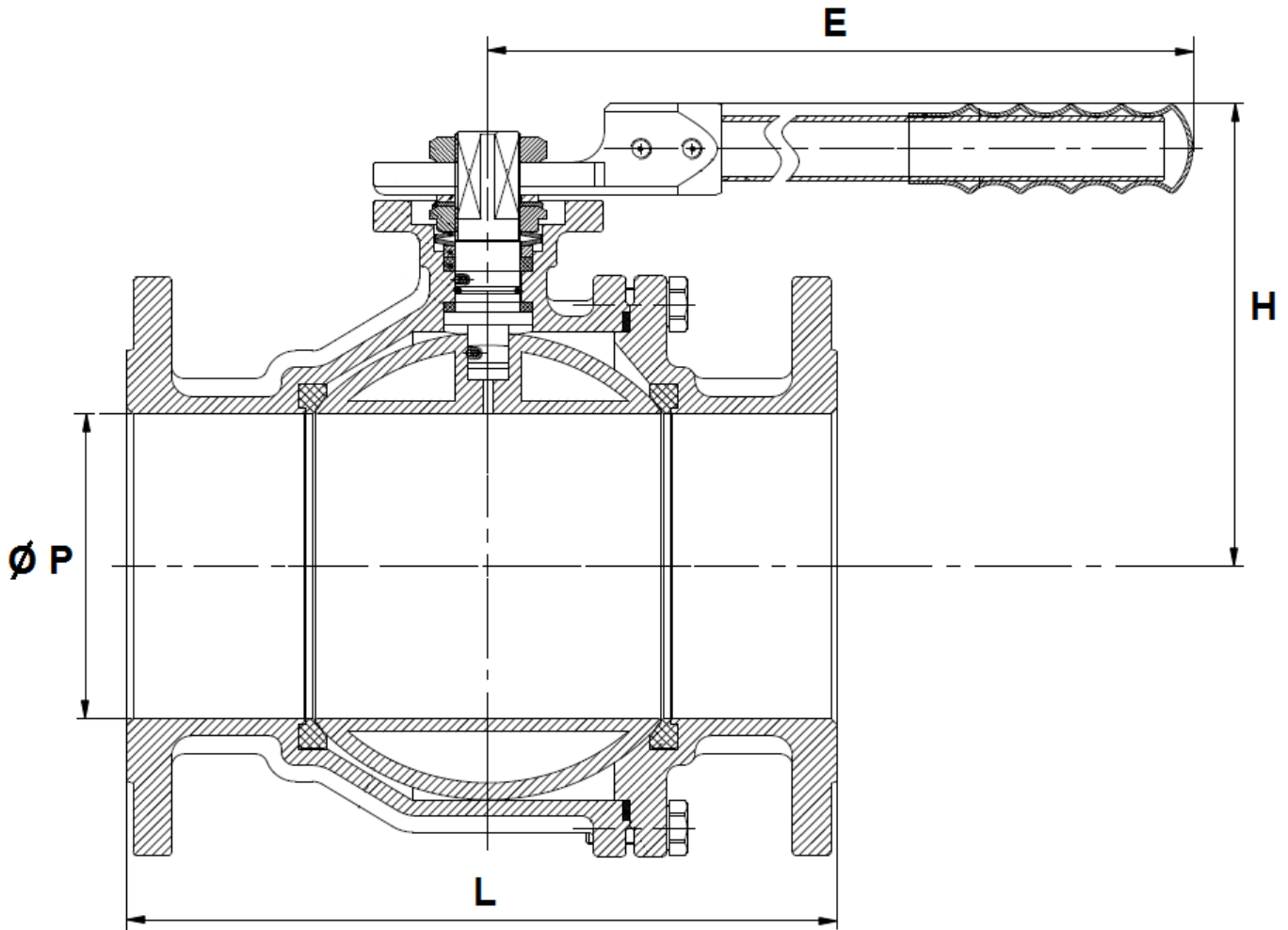


| Ref. | DN | 65 | 80 | 100 |
|-----------|----------------|------|-------|-------|
| 764 / 765 | Ø P | 65 | 80 | 100 |
| | L | 170 | 180 | 190 |
| | E | 325 | 325 | 325 |
| | H | 160 | 170 | 186 |
| | Weight (in Kg) | 15.2 | 19.58 | 27.36 |

2 PIECES BALL VALVES FLANGED ISO PN 16

SIZE DN 125 - 150 (in mm) :

DN 125 - 150

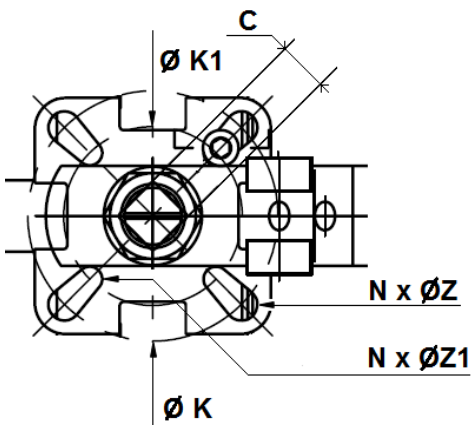
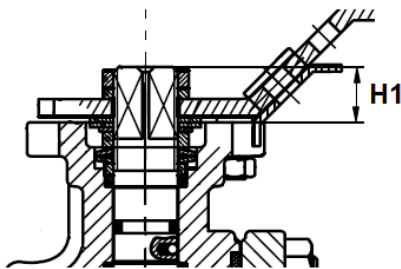


| Ref. | DN | 125 | 150 |
|-----------|----------------|-------|-------|
| 764 / 765 | Ø P | 125 | 150 |
| | L | 325 | 350 |
| | E | 520 | 620 |
| | H | 211 | 228 |
| | Weight (in Kg) | 38.86 | 50.72 |

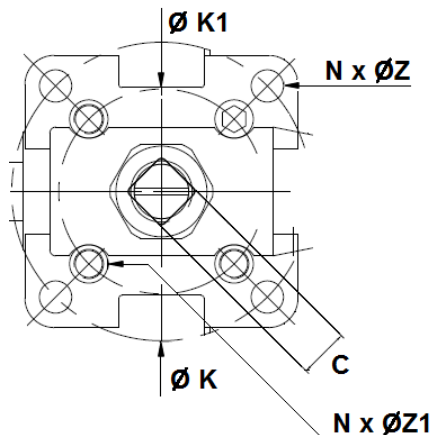
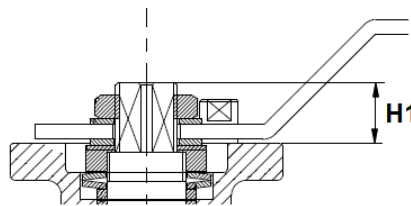
2 PIECES BALL VALVES FLANGED ISO PN 16

ISO MOUNTING PAD AND STEM SIZE (in mm) :

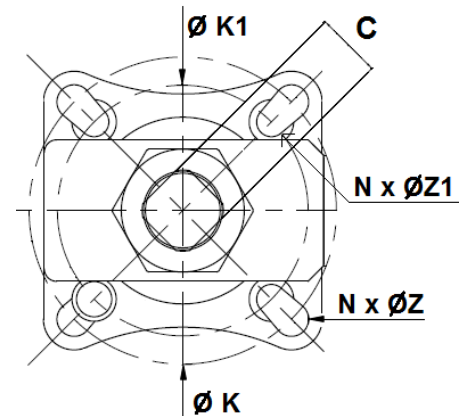
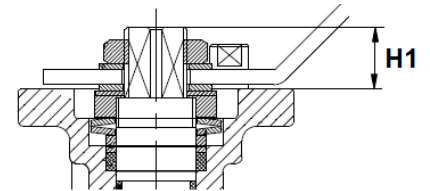
DN 15 – 50



DN 65 – 100



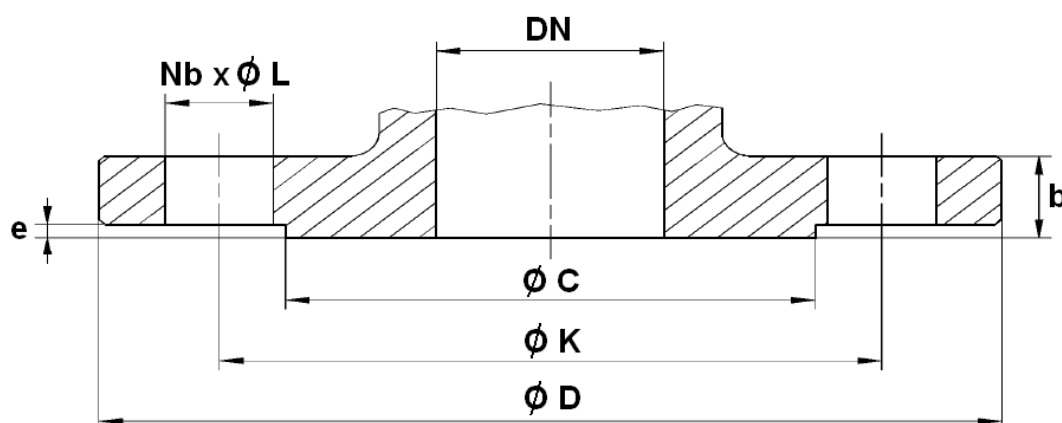
DN 125 - 150



| Ref. | DN | 15 | 20 | 25 | 32 | 40 | 50 | 65 | 80 | 100 | 125 | 150 |
|-----------|----------|-----|-----|-----|------|------|------|------|------|------|------|------|
| 764 – 765 | C | 9 | 9 | 11 | 14 | 14 | 14 | 17 | 17 | 17 | 27 | 27 |
| | Ø K | 42 | 50 | 50 | 70 | 70 | 70 | 102 | 102 | 102 | 125 | 125 |
| | ISO | F04 | F05 | F05 | F07 | F07 | F07 | F10 | F10 | F10 | F12 | F12 |
| | N x Ø Z | 4x6 | 4x7 | 4x7 | 4x9 | 4x9 | 4x9 | 4x11 | 4x11 | 4x11 | 4x14 | 4x14 |
| | Ø K1 | 36 | 42 | 42 | 50 | 50 | 50 | 70 | 70 | 70 | 102 | 102 |
| | ISO 1 | F03 | F04 | F04 | F05 | F05 | F05 | F07 | F07 | F07 | F10 | F10 |
| | N x Ø Z1 | 4x6 | 4x6 | 4x6 | 4x7 | 4x7 | 4x7 | 4x9 | 4x9 | 4x9 | 4x12 | 4x12 |
| | H1 | 11 | 10 | 11 | 16.5 | 16.5 | 16.5 | 21 | 21 | 21 | 34 | 34 |

2 PIECES BALL VALVES FLANGED ISO PN 16

FLANGES SIZE (in mm):



| Ref. | DN | 15 | 20 | 25 | 32 | 40 | 50 | 65 | 80 | 100 | 125 | 150 |
|-----------|----------|--------|--------|--------|--------|--------|--------|--------|--------|--------|--------|--------|
| 764 - 765 | Ø C | 45 | 58 | 68 | 78 | 88 | 102 | 122 | 138 | 158 | 188 | 212 |
| | Ø D | 95 | 105 | 115 | 140 | 150 | 165 | 185 | 200 | 220 | 250 | 285 |
| | Ø K | 65 | 75 | 85 | 100 | 110 | 125 | 145 | 160 | 180 | 210 | 240 |
| | Nb x Ø L | 4 x 14 | 4 x 14 | 4 x 14 | 4 x 18 | 4 x 18 | 4 x 18 | 4 x 18 | 8 x 18 | 8 x 18 | 8 x 18 | 8 x 22 |
| | b | 16 | 18 | 18 | 18 | 18 | 20 | 18 | 20 | 20 | 22 | 22 |
| | e | 2 | 2 | 2 | 2 | 3 | 3 | 3 | 3 | 3 | 3 | 3 |

2 PIECES BALL VALVES FLANGED ISO PN 16**TORQUE VALUES (in Nm without safety coefficient) :**

| DN | 15 | 20 | 25 | 32 | 40 | 50 | 65 | 80 | 100 | 125 | 150 |
|---------------|----|----|----|----|----|----|----|----|-----|-----|-----|
| Torque (Nm) | 6 | 8 | 10 | 14 | 20 | 30 | 36 | 60 | 95 | 150 | 210 |

STANDARDS :

- Fabrication according to ISO 9001 : 2008
- DIRECTIVE 97/23/CE : CE N° 0035
Risk Category II module D1
- Designing according to EN 12516-1
- Tests according to API 598, table 6
- Flanges R.F. according to EN 1092-1 PN16
- ISO 5211 mounting pad
- Length according to EN 558 series 27 (DIN 3202 F4/F5)

2 PIECES BALL VALVES FLANGED ISO PN 16

INSTALLATION INSTRUCTIONS

GENERAL GUIDELINES :

- Ensure that the valves to be used are appropriate for the conditions of the installation (type of fluid, pressure and temperature).
- Be sure to have enough valves to be able to isolate the sections of piping as well as the appropriate equipment for maintenance and repair.
- Ensure that the valves to be installed are of correct strength to be able to support the capacity of their usage.
- **Installation of all circuits should ensure that their function can be automatically tested on a regular basis (at least two times a year).**

INSTALLATION INSTRUCTIONS :

- **Before installing the valves, clean and remove any objects from the pipes** (in particular bits of sealing and metal) which could obstruct and block the valves.
- **Ensure that both connecting pipes either side of the valve (upstream and downstream) are aligned (if they're not, the valves may not work correctly).**
- **Make sure that the two sections of the pipe (upstream and downstream) match, the valve unit will not absorb any gaps. Any distortions in the pipes may affect the tightness of the connection, the working of the valve and can even cause a rupture.** To be sure, place the kit in position to ensure the assembling will work.
- **If sections of piping do not have their final support in place, they should be temporarily fixed. This is to avoid unnecessary strain on the valve.**
- Tighten the bolts in cross.
- It's recommended to operate the valve (open and close) 1 to 2 times per year