



### Applications

- Refineries, power stations, process and general industry
- For water, steam, gas, oil, and other media
- Other applications on request

### Operating Data

- Maximum allowable pressure 105 bar
- Maximum allowable temperature 816°C
- Temperature below 0°C on request

### Materials

- ASTM A105 up to 800°F (425°C)
- ASTM A182 F304 up to 1500°F (816°C)
- ASTM A182 F316 up to 1500°F (816°C)

### Trim Materials

- Trim 1 13Cr/13Cr
- Trim 2 304/304
- Trim 5 Stellite/Stellite
- Trim 8 Stellite/13Cr
- Trim 10 316/316

### Design

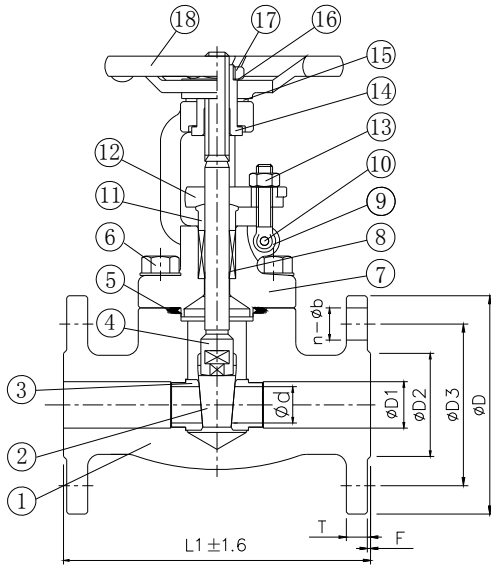
- Design per API 602
- Pressure/temperature rating per ASME B16.34
- End-end dimension per ASME B16.10
- Flange dimensions per ASME B16.5
- Testing per API 598
- Bolted bonnet
- Outside screw and yoke
- Not rotating stem

### Variants on request

- Other material and trim
- Butt weld execution

### On all enquiries/orders please specify

1. Valve type
2. ANSI pressure class
3. Size
4. Design pressure
5. Design temperature
6. Differential pressure-shut off
7. Flow medium
8. Material of construction
9. Trim material (API trim number)
10. Type of end connection
11. Variants

**Dimension**

**Class 150**

NPS	L1	φ d	φ D1	φ D2	φ D3	φ D	T	F	n-φ b	Weight KG
1/2"	108	15	15.6	35	60.5	89	11.5	1.6	4-16	3
3/4"	117	17	20	43	70	99	13	1.6	4-16	3.5
1"	127	22	25	51	79.5	108	14.5	1.6	4-16	5.5
1 1/4"	140	28	32	63.5	89	118	16	1.6	4-16	6.8
1 1/2"	165	33.4	40	73	98.5	127	17.5	1.6	4-16	10.5
2"	178	41.9	50	92	121	152	19.5	1.6	4-19	15

**Class 300**

NPS	L1	φ d	φ D1	φ D2	φ D3	φ D	T	F	n-φ b	Weight KG
1/2"	140	15	15.6	35	66.5	95	14.5	1.6	4-16	3.7
3/4"	152	17	20	43	82.5	117	16	1.6	4-19	4.9
1"	165	22	25	51	89	124	17.5	1.6	4-19	7.1
1 1/4"	178	28	32	63.5	98.5	133	19.5	1.6	4-19	9.5
1 1/2"	190	33.4	40	73	115	156	21	1.6	4-23	13.5
2"	216	41.9	50	92	127	165	22.5	1.6	8-19	19

**Class 600**

NPS	L1	φ d	φ D1	φ D2	φ D3	φ D	T	F	n-φ b	Weight KG
1/2"	165	15	15.6	35	66.5	95	21.5	6.4	4-16	4.3
3/4"	190	17	20	43	82.5	117	23	6.4	4-19	5.9
1"	216	22	25	51	89	124	24.5	6.4	4-19	8.9
1 1/4"	229	28	32	63.5	98.5	133	28	6.4	4-19	12.3
1 1/2"	241	33.4	40	73	115	156	29.5	6.4	4-23	16
2"	292	41.9	51	92	127	165	32	6.4	8-19	19.8

**Valve Materials**

Part No.	Part Name	A105	F304	F316
1	Body	A105	A182-F304	A182-F316
2	Wedge	A276-420	A276-304	A276-316
3	Seat Ring	A276-410+STL6	A276-304+STL6	A276-316+STL6
4	Stem	A276-410	A276-304	A276-316
5	Gasket	304+Graphite	316+Graphite	316+Graphite
6	Bonnet Bolt	A193-B7	A193-B8	A193-B8M
7	Bonnet	A105	A182-F304	A182-F316
8	Packing	Flexible Graphite	Flexible Graphite	Flexible Graphite
9	Gland Bolt	A193-410	A193-304	A193-304
10	Gland Bolt Pin	A276-410	A276-304	A276-304
11	Packing Flange	A276-410	A276-304	A276-304
12	Gland Flange	A105	304	304
13	Nut	A194-2H	A194-8	A194-8M
14	Stem Nut		A276-410	
15	Washer		A276-410	
16	Nameplate		Stainless Steel	
17	Hand Wheel Nut		A194-2H	
18	Hand Wheel		A197	

Note. At temperatures above 538°C use only when the carbon content is 0.04% or higher.

**Trim Materials**

Part Name	Trim 1 13Cr/13Cr	Trim 2 304/304	Trim 5 Stellite/Stellite	Trim 8 Stellite/13Cr	Trim 10 316/316
Disc Face	13Cr	304 Stainless Steel	Stellite	13Cr	316 Stainless Steel
Seat Ring Face	13Cr	304 Stainless Steel	Stellite	Stellite	316 Stainless Steel