

**DUCTILE IRON GATE VALVE PN16 WITH RISING STEM**



**Size :** DN 40 to DN 300  
**Ends :** Flanges ISO PN16 R.F.  
**Min Temperature :** - 10°C  
**Max Temperature :** + 120°C  
**Max Pressure :** 16 Bars  
**Specifications :** Rising stem  
Stainless steel stem  
Brass seat

**Materials :** Ductile iron body

**DUCTILE IRON GATE VALVE PN16 WITH RISING STEM**

**SPECIFICATIONS :**

- Single wedge disc
- Graphite packing
- Rising stem
- Stainless steel stem
- Brass seat
- Flanges R.F. ISO PN16
- Painting RAL 7011 grey color, 90 µm thickness

**USE :**

- For common fluids
- Min and max Temperature Ts : - 10°C to + 120°C
- Max Pressure Ps : 16 bars

**RANGE :**

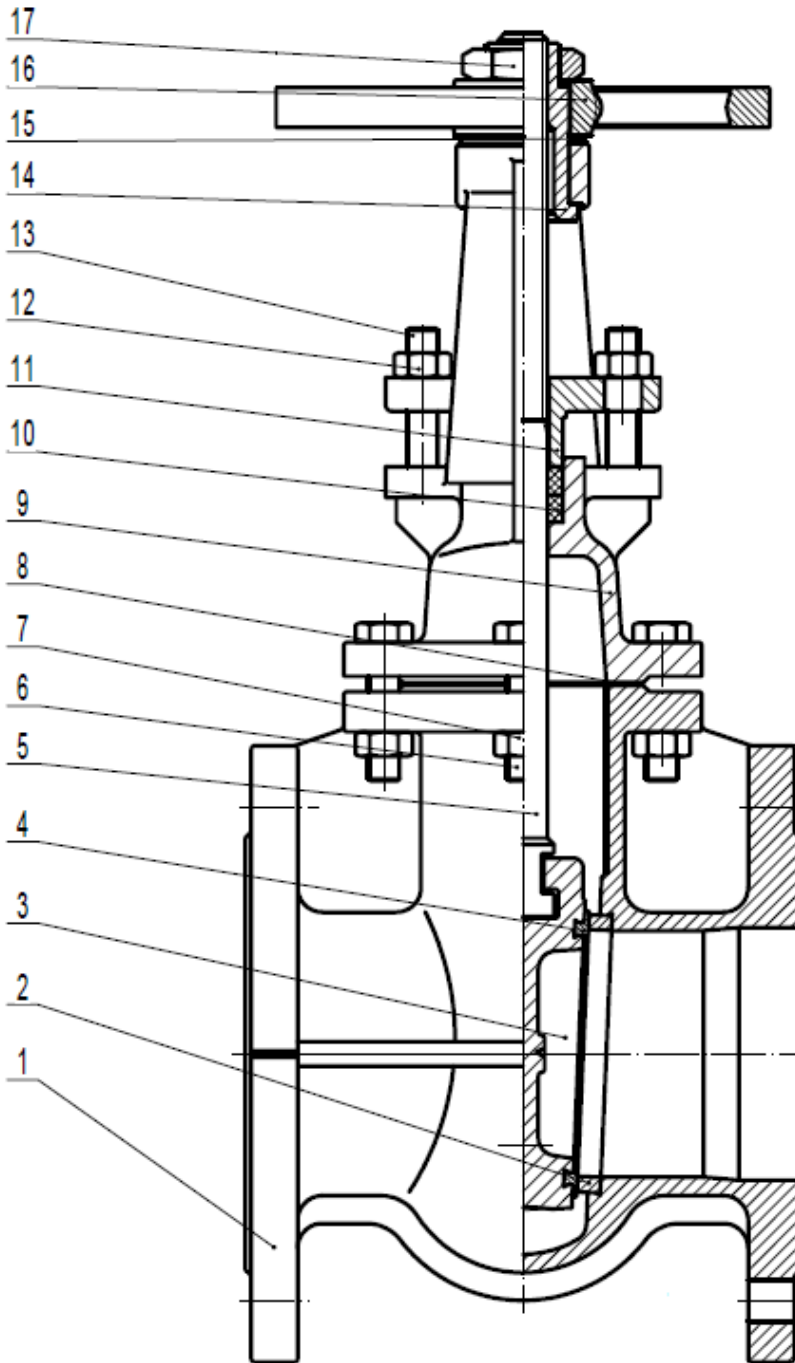
- Ductile iron body flanged R.F. ISO PN16 **Ref. 156** from DN 40 to DN 300

**TORQUE VALUES ( Nm without safety coefficient ) :**

DN	40	50	65	80	100	125	150	200	250	300
Torque ( Nm )	55	55	55	60	85	115	125	135	192	192

**DUCTILE IRON GATE VALVE PN16 WITH RISING STEM**

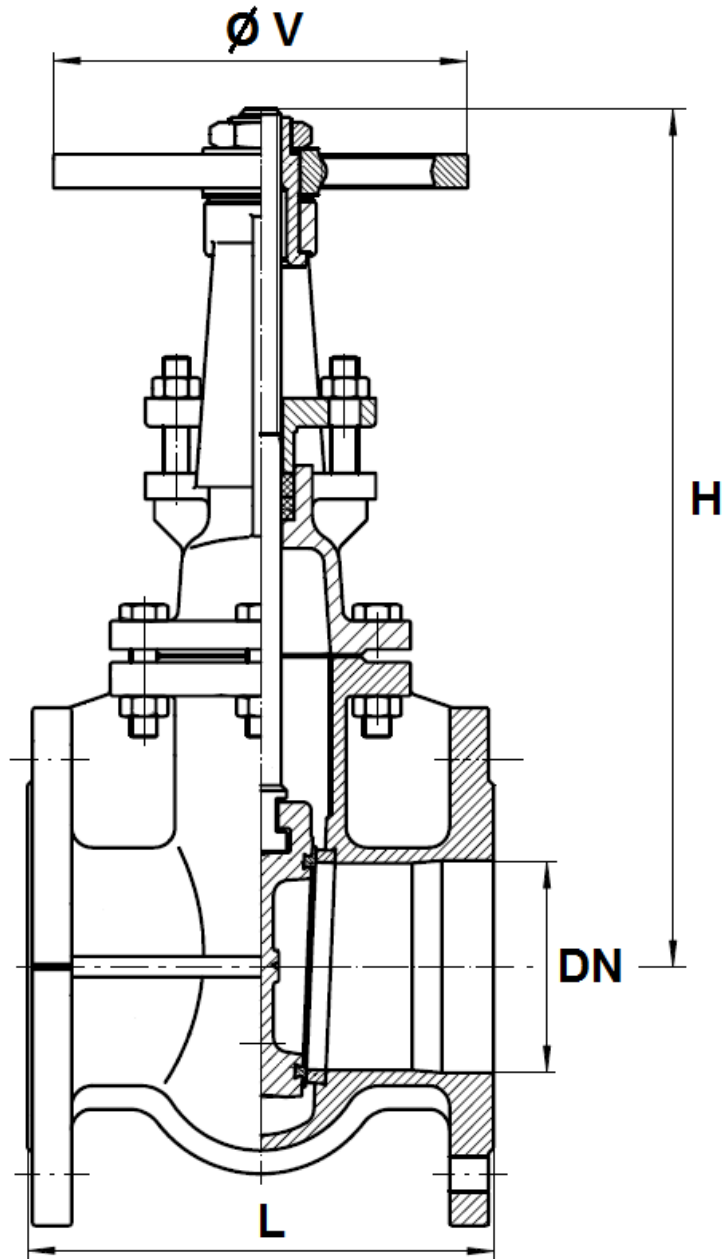
**MATERIALS :**



Item	Designation	Materials
1	Body	Ductile iron EN-GJS-500-7
2	Body seat	Brass
3	Wedge	Ductile iron EN-GJS-500-7
4	Wedge seat	Brass
5	Stem	SS 420
6	Screw	Steel RSt37-2 ( 1.0038 )
7	Nut	Steel RSt37-2 ( 1.0038 )
8	Bonnet gasket	Graphite
9	Bonnet	Ductile iron EN-GJS-500-7
10	Packing	Graphite
11	Packing gland	Ductile iron EN-GJS-500-7
12	Nut	Steel RSt37-2 ( 1.0038 )
13	Screw	Steel RSt37-2 ( 1.0038 )
14	Stem nut	Brass
15	Washer	Brass
16	Handwheel	Cast iron EN GJL-250
17	Handwheel nut	Ductile iron EN GJS-500-7

**DUCTILE IRON GATE VALVE PN16 WITH RISING STEM**

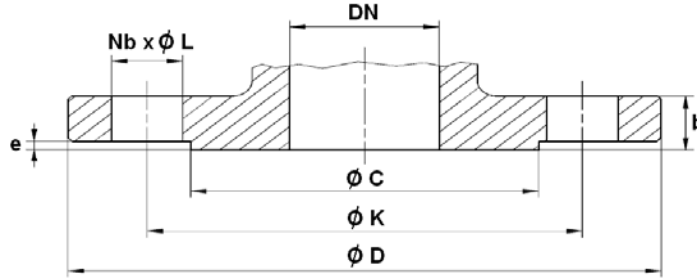
SIZE ( in mm ) :



Ref.	DN	40	50	65	80	100	125	150	200	250	300
156	L	140	150	170	180	190	200	210	230	250	270
	H (closed)	244	254	294	331	385	457	545	683	823	952
	H (opened)	295	315	371	424	500	598	711	901	1093	1273
	Ø V	160	160	160	160	200	200	250	250	320	320
	Weight ( Kg )	9.8	11.9	13.3	17.2	23.2	34.2	44.4	67.5	110	155

DUCTILE IRON GATE VALVE PN16 WITH RISING STEM

**FLANGES SIZE ( in mm ) :**



Ref.	DN	40	50	65	80	100	125	150	200	250	300
156	Ø C	80	102	124	140	158	188	212	268	320	378
	Ø D	150	165	185	200	220	250	285	340	405	460
	Ø K	110	125	145	160	180	210	240	295	355	410
	Nb x Ø L	4 x 19	4 x 19	4 x 19	8 x 19	8 x 19	8 x 19	8 x 23	12 x 23	12 x 28	12 x 28
	b	16	16	16	17	17	18	20	21	23	24
	e	2	2	2	2	2	3	3	3	3	4

**STANDARDS :**

- Fabrication according to ISO 9001 : 2008
- DIRECTIVE 97/23/CE : Products excluded from directive ( Article 1, § 3.2 )
- Length according to EN 558 series 14 ( DIN 3202 F4 )
- Flanged R.F. according to EN 1092-2 PN16
- Designing according to DIN 3352

**ADVICE :** Our opinion and our advice are not guaranteed and SFERACO shall not be liable for the consequences of damages. The customer must check the right choice of the products with the real service conditions.

## **DUCTILE IRON GATE VALVE PN16 WITH RISING STEM**

### **INSTALLATION INSTRUCTIONS**

#### **GENERAL GUIDELINES :**

- Ensure that the valves to be used are appropriate for the conditions of the installation (type of fluid, pressure and temperature).
- Be sure to have enough valves to be able to isolate the sections of piping as well as the appropriate equipment for maintenance and repair.
- Ensure that the valves to be installed are of correct strength to be able to support the capacity of their usage.
- **Installation of all circuits should ensure that their function can be automatically tested on a regular basis (at least two times a year).**

#### **INSTALLATION INSTRUCTIONS :**

- **Before installing the valves, clean and remove any objects from the pipes** (in particular bits of sealing and metal) which could obstruct and block the valves.
- **Ensure that both connecting pipes either side of the valve (upstream and downstream) are aligned (if they're not, the valves may not work correctly).**
- **Make sure that the two sections of the pipe (upstream and downstream) match, the valve unit will not absorb any gaps. Any distortions in the pipes may affect the tightness of the connection, the working of the valve and can even cause a rupture.** To be sure, place the kit in position to ensure the assembling will work.
- **If sections of piping do not have their final support in place, they should be temporarily fixed. This is to avoid unnecessary strain on the valve.**
- Tighten the bolts in cross.
- It's recommended to operate the valve (open and close) 1 to 2 times per year