

STAINLESS STEEL PISTON CHECK VALVE FEMALE BSP

Stainless steel piston check valve female BSP for water, chemical and pharmaceutical industries, petrochemical industries, hydraulic installation, compressed air.

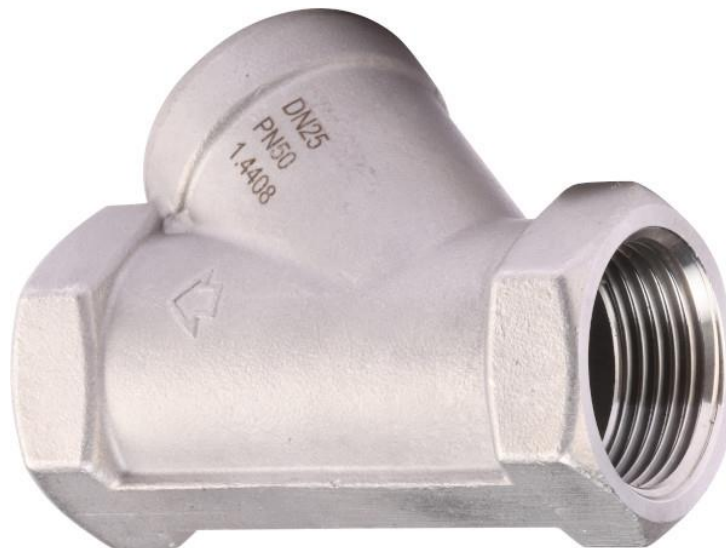
Stainless steel type with PTFE gaskets. All positions.

Full bore, weak head loss.

Compatible with explosive atmosphere, ATEX Zone 1&21 and Zone 2&22.

Check valve in accordance with the regulation (EC) N° 1935-2004 on request.

Metal/metal tightness (leakage rate according to API 598 standard)



Size: DN1/4" to DN3"

Connection : Female BSP

Min Temperature : -20°C

Max Temperature : +200°C

Max Pressure : 50 Bars

Specifications : Piston type

All positions

Full bore, weak head loss

In accordance with the regulation EC 1935-2004 on request

Materials : Stainless steel EN 1.4408

STAINLESS STEEL PISTON CHECK VALVE FEMALE BSP

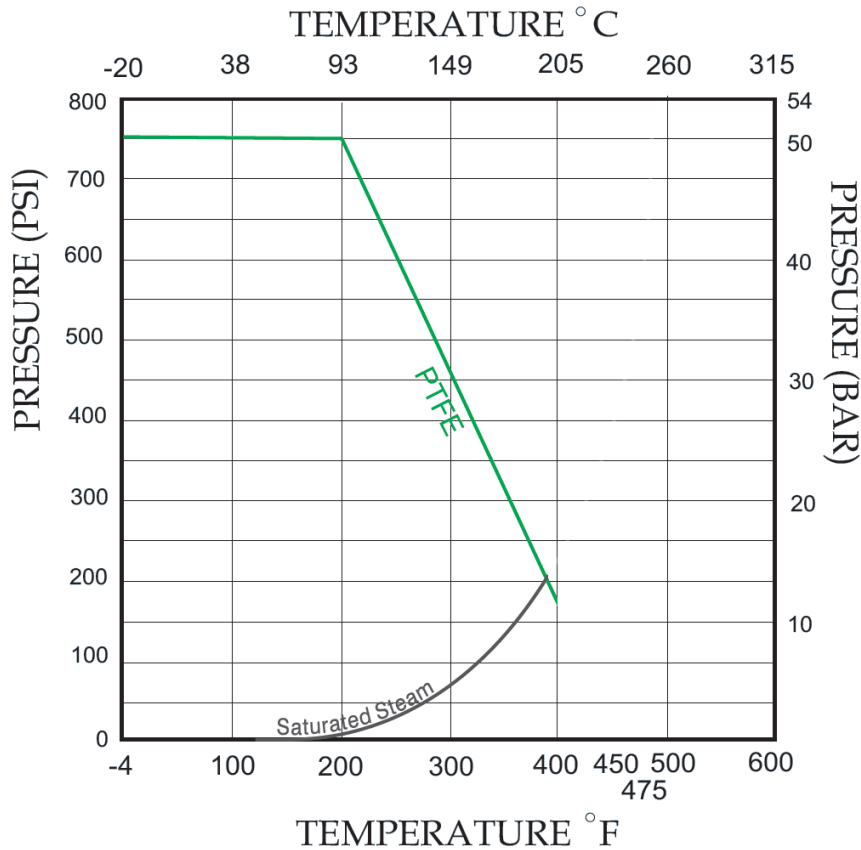
SPECIFICATIONS :

- Piston type
- All positions (respect the flow direction indicated by the arrow)
- Short length
- PTFE seat

USE :

- Chemical and pharmaceutical industries, petrochemical industries, hydraulic installation, compressed air, potable water
- Min Temperature Ts : - 20°C
- Max Temperature Ts :+ 200°C
- Max Pressure Ps : 50 bars (see graph under)
- Steam : 13 bars max

PRESSURE / TEMPERATURE GRAPH :

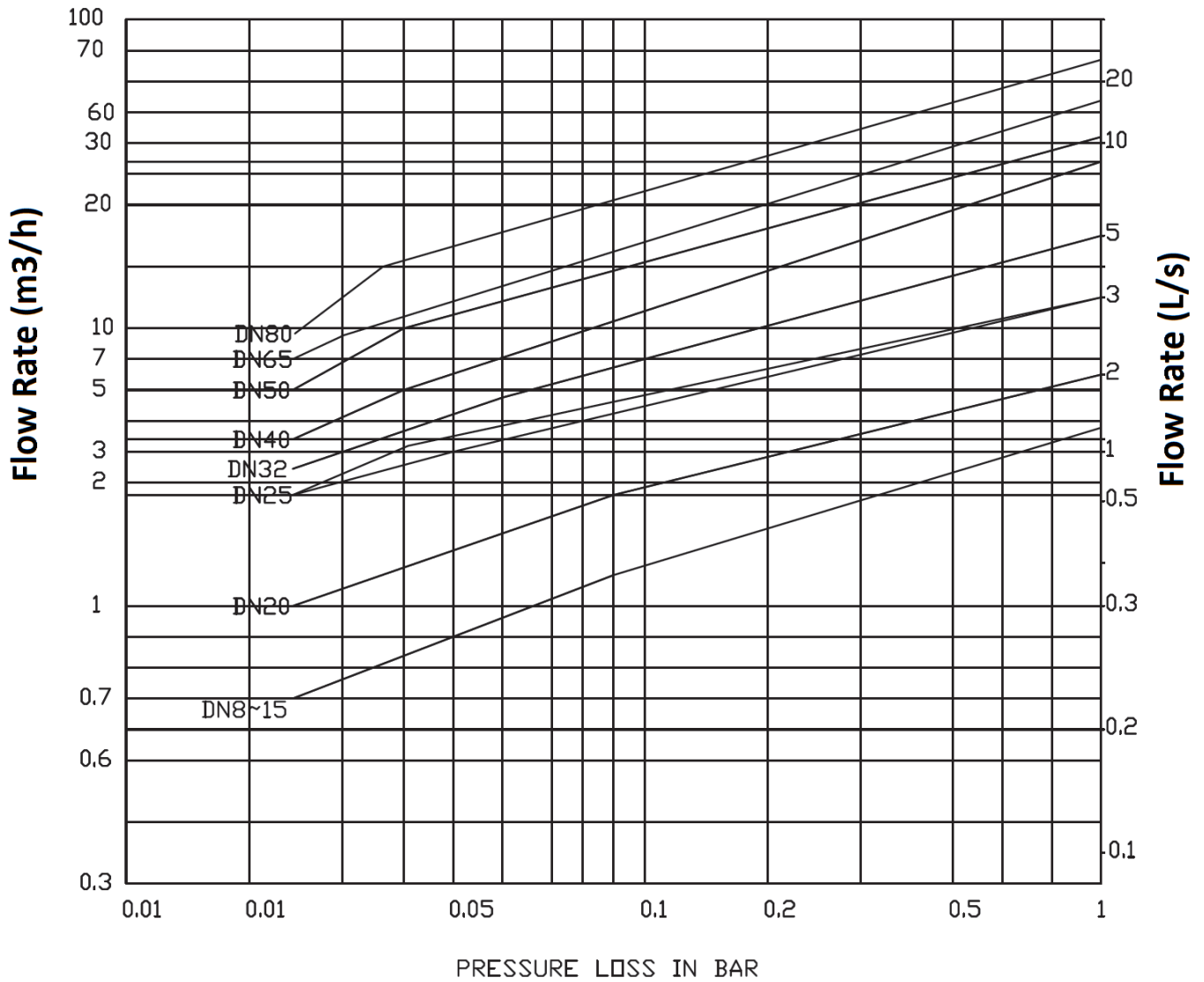


FLOW COEFFICIENT Kvs (M3 / h) :

| DN | 1/4" | 3/8" | 1/2" | 3/4" | 1" | 1"1/4" | 1"1/2" | 2" | 2"1/2" | 3" |
|--------------|------|------|------|------|------|--------|--------|------|--------|------|
| Kvs (m3/h) | 1.3 | 1.3 | 1.5 | 3 | 5.45 | 8 | 12.08 | 18.8 | 30 | 88.9 |

STAINLESS STEEL PISTON CHECK VALVE FEMALE BSP

HEAD LOSS GRAPH :



STAINLESS STEEL PISTON CHECK VALVE FEMALE BSP
OPENING PRESSURE (in mbar) :

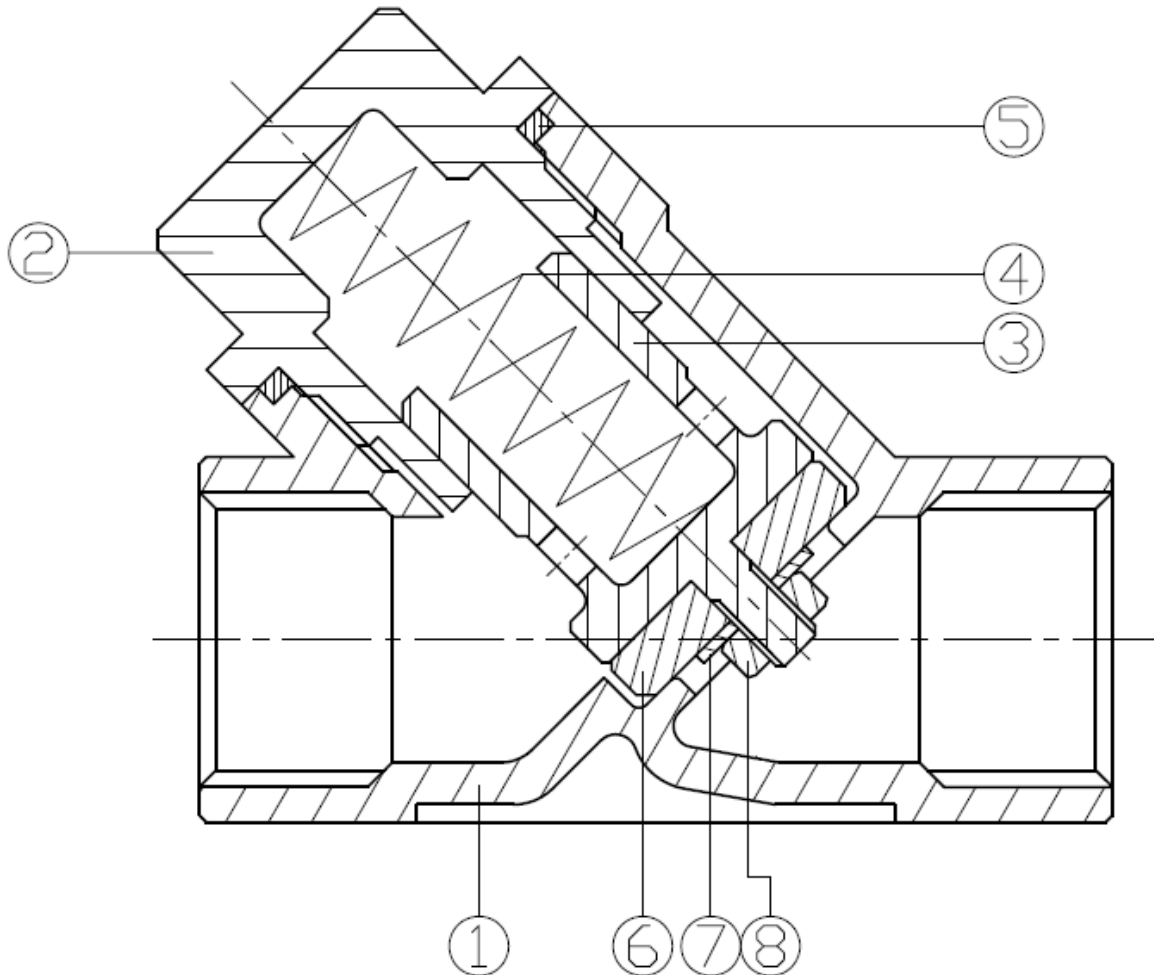
| DN | Opening Pressure (mbar) |
|-------|-------------------------|
| 1/4" | 29 |
| 3/8" | 29 |
| 1/2" | 29 |
| 3/4" | 29 |
| 1" | 31 |
| 1"1/4 | 31 |
| 1"1/2 | 32 |
| 2" | 35 |
| 2"1/2 | 40 |
| 3" | 50 |

RANGE :

- Female / female threaded BSP cylindrical piston check valve **Ref. 325** from DN 1/4" to DN 3"

STAINLESS STEEL PISTON CHECK VALVE FEMALE BSP

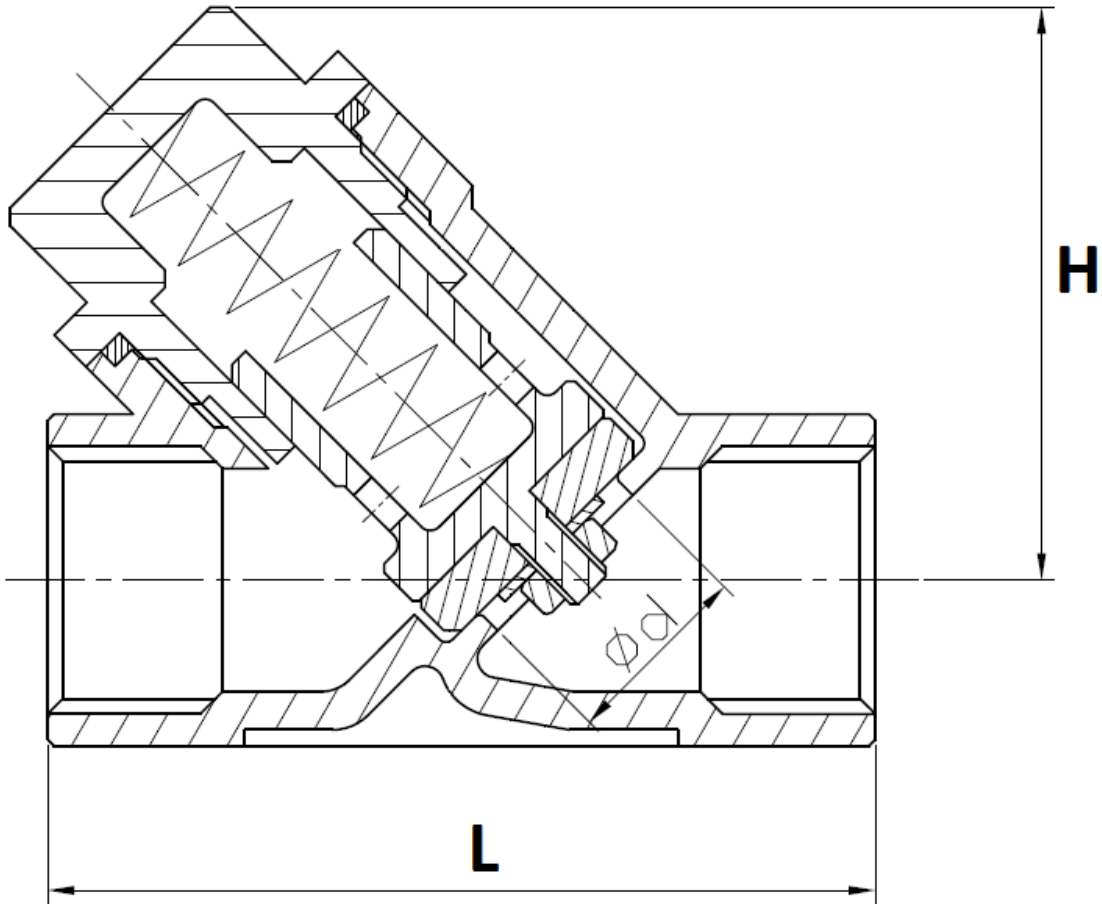
MATERIALS :



| Item | Designation | Materials |
|------|---------------|-----------|
| 1 | Body | EN 1.4408 |
| 2 | Bonnet | |
| 3 | Piston | AISI 316 |
| 4 | Spring | |
| 5 | Bonnet gasket | PTFE |
| 6 | Seat | AISI 316 |
| 7 | Washer | |
| 8 | Nut | |

STAINLESS STEEL PISTON CHECK VALVE FEMALE BSP

SIZE (in mm) :



| DN | 1/4" | 3/8" | 1/2" | 3/4" | 1" | 1"1/4" | 1"1/2" | 2" | 2"1/2" | 3" |
|-------------|--------|--------|--------|--------|--------|--------|--------|--------|--------|--------|
| Ø d | 10 | 10 | 15 | 20 | 25 | 32 | 38 | 51 | 65 | 80 |
| H | 35 | 35 | 37 | 41 | 51 | 60 | 69 | 87 | 110 | 130 |
| L | 57 | 57 | 61 | 70 | 86 | 100 | 111 | 138 | 170 | 195 |
| Weight (Kg) | 0.17 | 0.14 | 0.22 | 0.33 | 0.55 | 0.8 | 1.2 | 1.9 | 3.6 | 5 |
| Ref. | 325002 | 325003 | 325004 | 325005 | 325006 | 325007 | 325008 | 325009 | 325010 | 325011 |

STAINLESS STEEL PISTON CHECK VALVE FEMALE BSP**STANDARDS :**

- Manufacturer certified ISO 9001 : 2015
- DIRECTIVE 2014/68/UE : CE N° 0035
Risk category III Module H
- Certificate 3.1 on request
- Pressure tests according to API 598, table 6
- BSP threaded cylindrical ends according to ISO 228-1
- ATEX Group II Category 2 G/2D Zone 1 & 21 Zone 2 & 22 (optional marking)
- Check valve in accordance with the regulation **(EC) N° 1935-2004 on request**

ADVICE : Our opinion and our advice are not guaranteed and SFERACO shall not be liable for the consequences of damages.
The customer must check the right choice of the products with the real service conditions.