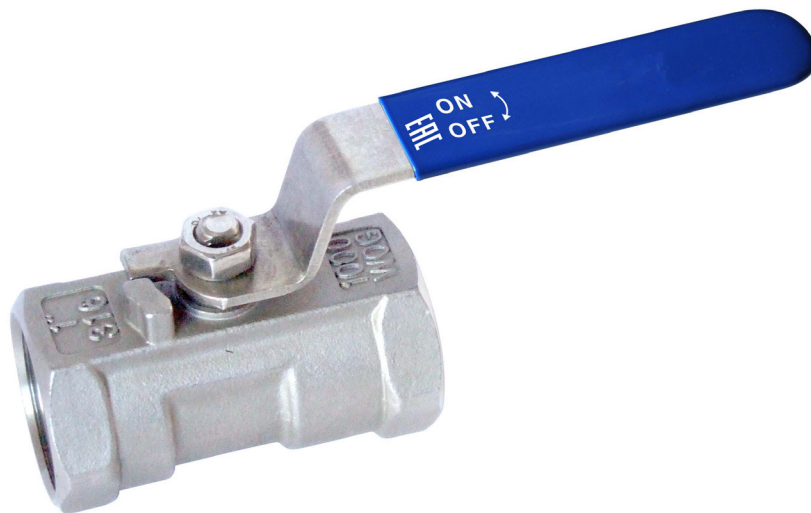


X1666

Ball valve

Shut off system

Technical Data Sheet



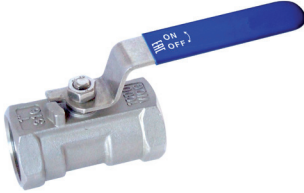
Description

The Ball valve X1666 can equip all types of installations. it's a ball valves particularly suitable for smaller sizes.

- 1-piece ball valve
- Standard passage

X1666

Ball valve - Shut off system



DN		PFA in bar	PS in bar				Cat.	Ref.	Weight Kg
"	mm		L1	L2	G1	G2			
1/4	8	63	63	63	63	63	4.3	149B12508	0,07
3/8	10	63	63	63	63	63	4.3	149B12509	0,10
1/2	15	63	63	63	63	63	4.3	149B12510	0,15
3/4	20	63	63	63	63	63	4.3	149B12511	0,25
1	25	63	63	63	63	63	4.3	149B12512	0,35
1 1/4	32	63	62	63	0,5	63	4.3	149B12513	0,52
1 1/2	40	63	50	63	0,5	25	4.3	149B12514	0,80
2	50	63	40	63	0,5	20	4.3	149B12515	1,30

Important notice :

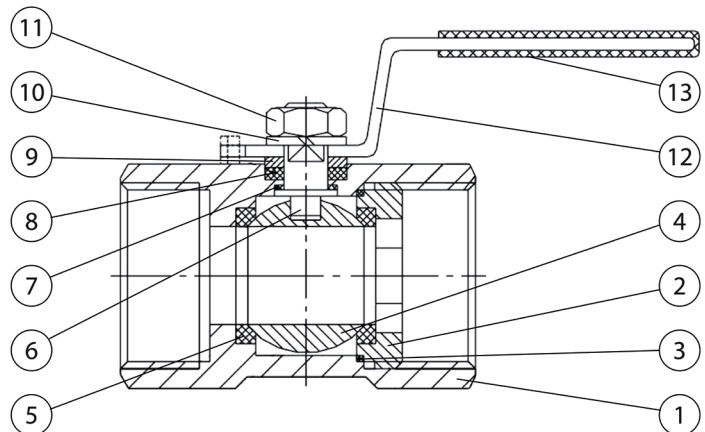
The indicated pressure for the different categories of fluids (L1/L2/G1/G2) is under no condition a guarantee of use. Therefore, it is essential to validate the use of products under given operating conditions.

Technical features

Operating temperature	-25 °C to 180 °C
Permissible operating pressure (PFA) in water	See table above and Pressure/Temperature diagram
Maximum permissible pressure (PS) other mediums	See table above and Pressure/Temperature diagram (L1 only)
Connection	Female / female, (ISO228-1)
Mediums	Various fluids, water

Nomenclature and materials

N°	Description	Materials
1	Body	CF8M
2	Cap	CF8M
3	Body gasket	PTFE
4	Ball	SS316
5	Ball seat	R-PTFE (15%)
6	Stem	SS316
7	Thrust washer	PTFE
8	Stem packing	PTFE
9	Washer	SS304
10	Spring Washer	SS304
11	Nut	SS304
12	Handle	SS304
13	Handle cover	Plastic



Approvals

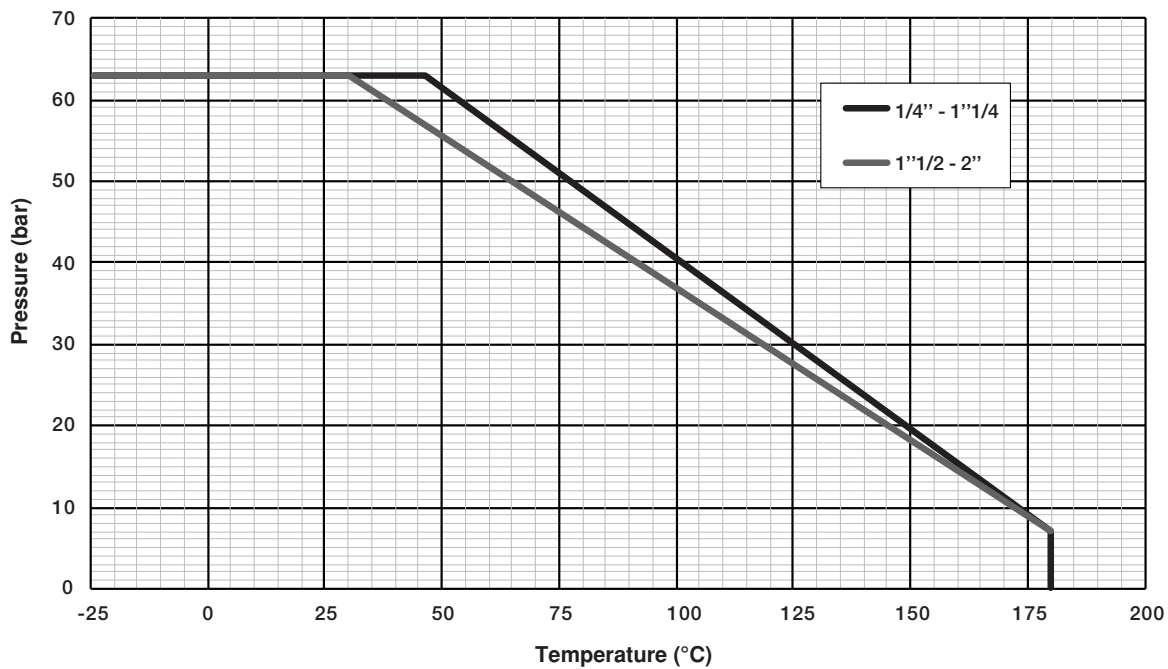
International construction Standards :
Directive 2014/68/UE

Application

Industry, high pressure, high temperature.

Operation

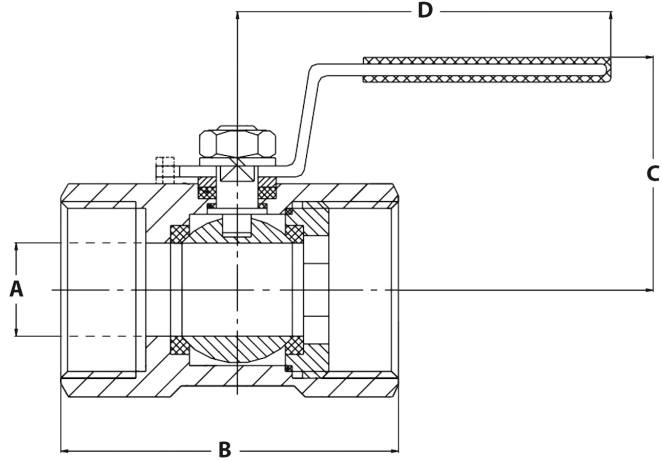
X1666 - Pressure / Temperature Diagram



Medium : Water - Liquid L1

Sizing

DN		A	B	C	D
"	mm	mm	mm	mm	mm
1/4	8	5	40	33	67
3/8	10	7	45	36	67
1/2	15	9	58	37	93
3/4	20	12,5	60	42	93
1	25	15	71	52	103
1 1/4	32	20	78	56	103
1 1/2	40	25	82	65	125
2	50	32	100	70	125



The descriptions and photographs contained in this product specification sheet are supplied by way of information only and are not binding.

Socla reserves the right to carry out any technical and design improvements to its products without prior notice. Warranty : All sales and contracts for sale are expressly conditioned on the buyer's assent to Socla terms and conditions found on its website at www.socla.com. Socla hereby objects to any term, different from or additional to Socla terms, contained in any buyer communication in any form, unless agreed to in a writing signed by an officer of Socla.



A WATTS Brand

Socla sas

365 rue du Lieutenant Putier • 71530 Virey-Le-Grand • France

Tel. +33 03 85 97 42 00 • Fax +33 03 85 97 42 42

contact@wattswater.com • www.socla.com

ISO 9001 version 2015 / ISO 18001