

VE320

Triple function for clear water

Technical Data Sheet



Description

The Triple function air valve VE320 allows the air control water distribution systems :

- Automatically and continuously relieves air and gases that accumulate in high points of installations
- Release or inflow of air through the large air orifice when filling or emptying the installation
- Epoxy coating inside/outside
- The stop valve allows the maintenance without emptying the installation



VE320

Triple function for clear water

| DN | | PN | PFA in bar | Cat. | Ref. | Weight Kg |
|-------|----------|-------|---------------|------|-------------------|--------------|
| " | mm | | | | | |
| 2 1/4 | 40-50-60 | 10/16 | 16 | I | 149B5884 | 12 |
| 2 1/2 | 65 | 10/16 | 16 | I | 149B5885 | 12 |
| 3 | 80 | 10/16 | 16 | I | 149B5886 | 19 |
| 4 | 100 | 10/16 | 16 | I | 149B5887 | 22 |
| 2 1/4 | 40-50-60 | 25 | 25 | I | 149B009166 | 12 |
| 2 1/2 | 65 | 25 | 25 | I | 149B009168 | 12 |
| 3 | 80 | 25 | 25 | I | 149B009170 | 19 |
| 4 | 100 | 25 | 25 | I | 149B009171 | 22 |

With stop valve : (for other DN, please consult us)

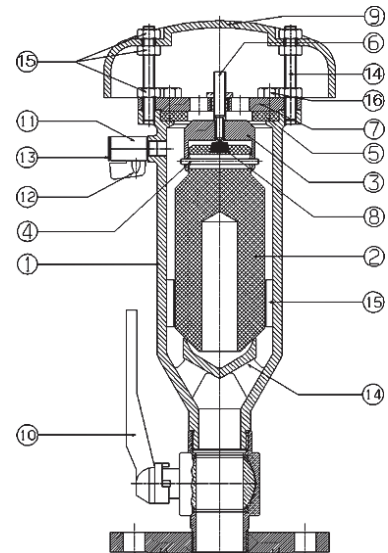
| | | | | | | |
|-------|----------|-------|----|---|-------------------|----|
| 2 1/4 | 40-50-60 | 10/16 | 16 | I | 149B5884R | 13 |
| 2 1/2 | 65 | 10/16 | 16 | I | 149B5885R | 13 |
| 2 1/4 | 40-50-60 | 25 | 25 | I | 149B009167 | 13 |
| 2 1/2 | 65 | 25 | 25 | I | 149B009169 | 13 |

Technical features

| | |
|---|--------------------------------|
| Operating temperature | 0 °C to 60 °C |
| Permissible operating pressure (PFA) in water | See table above |
| Connection | Flanges drilled PN (See table) |
| Mediums | Clear water |

Nomenclature and materials

| N° | Designation | Materials | EURO | ANSI |
|----|----------------|---------------------|-----------------|----------------|
| 1 | Body | Cast iron / Epoxy | EN-GJL-250 | ASTM A 48 35 B |
| 2 | Float | PE (polyethylene) | | |
| 3 | Closing system | PVC | | |
| 4 | Stem | PA (polyamide) | | |
| 5 | Seal | Polyurethane | | |
| 5 | Seal DN 100 | NBR (nitrile) | | |
| 6 | Drain | Stainless steel | X5CrNiMo17-12-2 | AISI 316 |
| 7 | Upper plate | Steel / Epoxy | | |
| 8 | Seal | NBR (nitrile) | | |
| 9 | Cap | Cast iron / Epoxy | EN-GJL-250 | ASTM A 48 35 B |
| 10 | Ball valve M/F | Chrome plated brass | CuZn40Pb3 | |
| 11 | Plug | Brass | CuZn40Pb3 | |
| 12 | Ball valve M/F | Chrome plated brass | CuZn40Pb3 | |
| 13 | Protection cap | PE (polyethylene) | | |
| 14 | Rod | Stainless steel | X5CrNi18-10 | AISI 304 |
| 15 | Nut | Stainless steel | X5CrNi18-10 | AISI 304 |
| 16 | Nut | Stainless steel | X5CrNi18-10 | AISI 304 |



Approvals

ACS

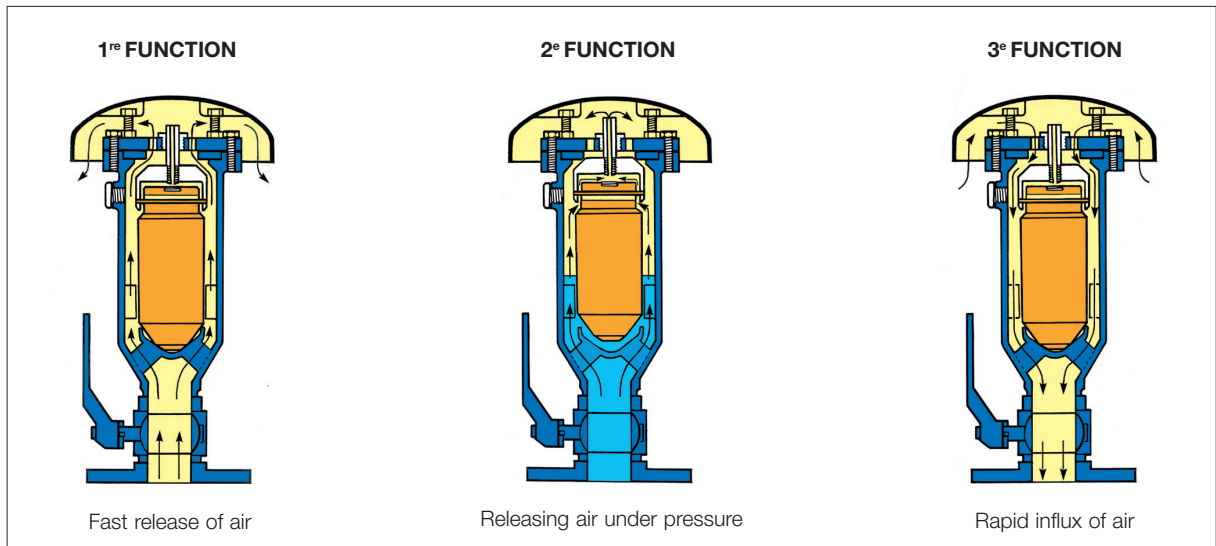
International construction Standards :
Flange drilling according to EN1092-2

Application

Triple function air valve for clear water.

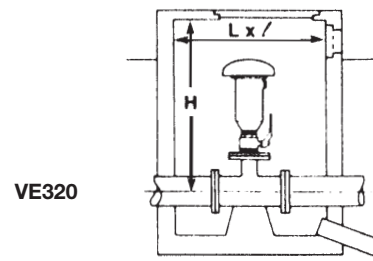
Fonctionnement

This model VE320 ensures continuous and automatic evacuation, but also influx and release of air at fast speed.



Installation

| DN | H | L x l | Filtered air inlet |
|---------------|------|-----------|--------------------|
| mm | mm | mm | mm |
| 50-40 / 60-65 | 1100 | 600 x 600 | 150 x 150 |
| 80 | 1200 | 600 x 600 | 200 x 200 |
| 100 | 1300 | 600 x 600 | 300 x 300 |

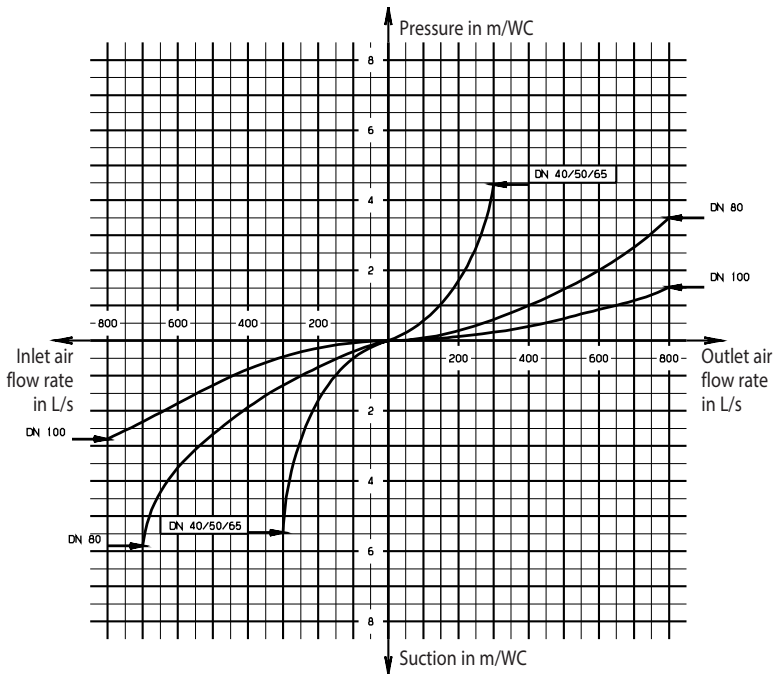


Maintenance

To ensure proper operation of the VE320, just open the drain valve :

- a spray of water means proper operation
- a pressurized air outlet indicates that the air valve has not performed its function, hence the need to clean the unit

Operation



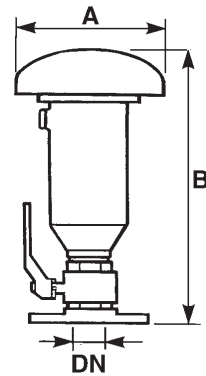
VE320 - Bend flow/pressure

Sizing

| DN | For pipe | A | B |
|----------|----------|-----|-----|
| | ∅ mm | mm | mm |
| 40-50-60 | < 200 | 196 | 380 |
| 65 | < 200 | 196 | 375 |
| 80 | < 500 | 224 | 350 |
| 100 | < 1000 | 224 | 400 |

With stop valve : (for other DN, please consult us)

| | | | |
|----------|-------|-----|-----|
| 40-50-60 | < 200 | 196 | 465 |
| 65 | < 200 | 196 | 456 |



VE320

The descriptions and photographs contained in this product specification sheet are supplied by way of information only and are not binding.

Socla reserves the right to carry out any technical and design improvements to its products without prior notice. Warranty : All sales and contracts for sale are expressly conditioned on the buyer's assent to Socla terms and conditions found on its website at www.socla.com. Socla hereby objects to any term, different from or additional to Socla terms, contained in any buyer communication in any form, unless agreed to in a writing signed by an officer of Socla.



A WATTS Brand

Socla sas

365 rue du Lieutenant Putier • 71530 Virey-Le-Grand • France

Tel. +33 03 85 97 42 00 • Fax +33 03 85 97 42 42

contact@wattswater.com • www.socla.com

ISO 9001 version 2015 / ISO 18001