

VE120

Simple function for clear water

Technical Data Sheet



Description

The Single function air valves VE120 allows the air control water distribution systems :

- Continuously and automatically evacuates accumulated air from the high points of installations
- Plug drain screw to verify the good working of the air valve
- Different degassing orifice depending of the pressure (PN 16 or PN 25)
- When the pipe is under pressure, the float follows water level. In high position, float closes degassing orifice
- When air accumulates in the valve, the float falls with the water level thus opening the orifice and allowing the air to evacuate



VE120

Simple function for clear water

DN	PN	PFA in bar	Cat.	Ref.	Weight Kg
Air valve alone F1"	-	16	I	149B2867	5,16
Air valve with flange with connection*	10/16	16	I	149B2867BR	8,10
Air valve with connection M1"	-	16	I	149B2867RM	5,00
Air valve with stop valve M1"	-	16	I	149B2867VA	5,30
Air valve with stop valve + Flange*	10/16	16	I	149B2867VB	8,40
Air valve alone F1"	-	25	I	149B2868	5,16
Air valve with flange with connection*	25	25	I	149B2868BR	8,10
Air valve with connection M1"	-	25	I	149B2868RM	5,00
Air valve with stop valve M1"	-	25	I	149B2868VA	5,30
Air valve with stop valve + Flange*	25	25	I	149B2868VB	8,40

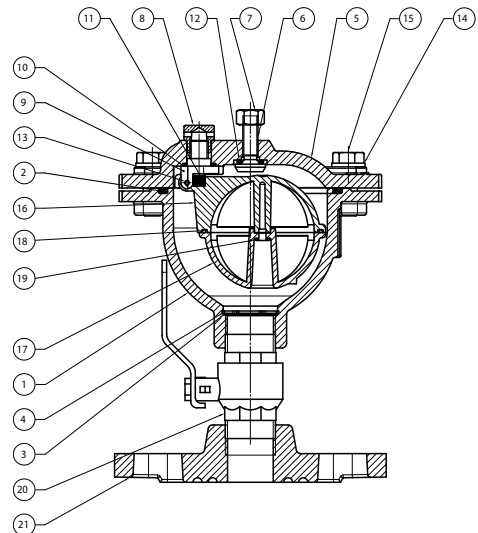
* Flange DN 40 - 50 - 60

Technical features

Operating temperature	0 °C to 100 °C
Permissible operating pressure (PFA) in water	See table above
Connection	BSP thread or flanges drilled PN (See table)
Mediums	Clear water

Nomenclature and materials

N°	Designation	Materials	EURO	ANSI
1	Body	Ductile iron / Epoxy	EN-GJS-400.15	ASTM A 536 60-40-18
2	O-ring	EPDM		
3	Filter	Stainless steel	EN 10088-3-X2CrNi19-11	AISI 304L
4	Clips	Stainless steel	EN10270-3-X10CrNi18-8	
5	Cap	Ductile iron / Epoxy	EN 1563-GJS-400.15	ASTM A 536 60-40-18
6	Float stem	Brass	EN 12164-CuZn39Pb3	
7-8	Nut	Brass	EN 12164-CuZn39Pb3	
9	Drain	Brass	EN 12165-CuZn40Pb2	AISI 316
10	O-ring	EPDM		
11	Seal	EPDM		
12	O-ring	EPDM		
13	Pin	Stainless steel	EN 10088-3-X5CrNi18-10	AISI 304
14	Flat washer	Stainless steel	EN 10088-3-X5CrNi18-10	AISI 304
15	Screw	Stainless steel	EN 10088-3-X5CrNi18-10	AISI 304
16-17	Float	Grivory black		
18-19	O-ring	EPDM		
20	Valve	Brass	EN 12165-CuZn40Pb2	AISI 316
21	Flange	Ductile iron / Epoxy	EN 1563-GJS-400.15	ASTM A 536 60-40-18



Approvals



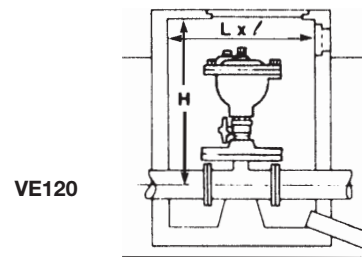
International construction Standards :
Flange drilling according to EN1092-2

Application

Single function air valve for clear water.

Installation

DN	H	L x l	Filtered air inlet
mm	mm	mm	mm
40 - 50 - 60	900	600 x 600	150 x 150

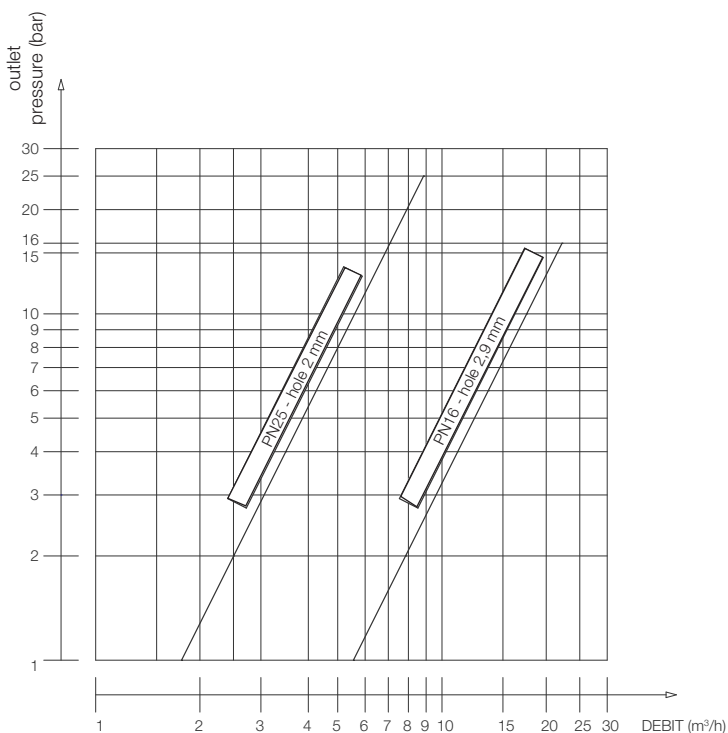


Maintenance

To ensure proper operation of the VE120, just open the drain valve :

- a spray of water means proper operation
- a pressurized air outlet indicates that the air valve has not performed its function, hence the need to clean the unit

Operation

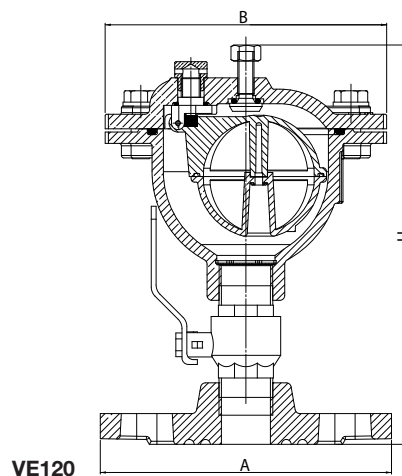


VE120 - Headloss chart

Sizing

DN	A	B	H
	mm	mm	mm
Air valve alone F1"	-	175	158
Air valve with flange with connection*	185	175	214
Air valve with connection M1"	-	175	180
Air valve with stop valve M1"	-	175	218
Air valve with stop valve + Flange*	185	175	246

* Flange DN 40 - 50 - 60



The descriptions and photographs contained in this product specification sheet are supplied by way of information only and are not binding.
 Socla reserves the right to carry out any technical and design improvements to its products without prior notice. Warranty : All sales and contracts for sale are expressly conditioned on the buyer's assent to Socla terms and conditions found on its website at www.socla.com. Socla hereby objects to any term, different from or additional to Socla terms, contained in any buyer communication in any form, unless agreed to in a writing signed by an officer of Socla.

SOCCLA

A WATTS Brand

Socla sas

365 rue du Lieutenant Putier • 71530 Virey-Le-Grand • France

Tel. +33 03 85 97 42 00 • Fax +33 03 85 97 42 42

contact@wattswater.com • www.socla.com

ISO 9001 version 2015 / ISO 18001