

High-temperature thermocouple Model TC82

WIKA data sheet TE 65.82



for further approvals
see page 2

Applications

- Chemical, petrochemical industry
- Sulphur Recovery Units (SRU)
- Hot blast stove

Special features

- Purge connection to increase lifetime of the thermocouple (option)
- Increased safety through internal sealing system
- High variance of protection tube materials
- With temperature transmitter or field transmitter available
- Integral display in the connection head possible

Description

This high-temperature thermocouple has been specifically developed for use in hazardous applications. A protection tube made from high-temperature ceramic or silicon-carbide, with or without an additional inner tube, protects the thermocouple from the process medium as well as mechanical damage.









For particularly critical applications as e.g. sulphur recovery units, we offer designs with purge gas connection, to prevent the thermocouple by poisoning by the aggressive process atmosphere.



High-temperature thermocouple with purge connection, model TC82-F


Hermetically sealed junctions prevent toxic gases from being able to escape the reactor. The high temperatures in the process place very high demands on protection tubes and thermocouples. These process conditions often lead to shutdowns and interruptions in operation. The special design of this Ex-approved high-temperature thermometer can significantly improve life expectancy of the thermocouple and reduce downtime.

Approvals

Logo	Description	Country
	EU declaration of conformity <ul style="list-style-type: none"> ■ EMC directive ¹⁾ EN 61326 emission (group 1, class B) and interference immunity (industrial application) ■ RoHS directive ■ ATEX directive (option) Hazardous areas II 2/-G Ex db IIC T6 ... T1 Gb/- II 2/-G Ex db IIC Gb/- 	European Union
	IECEx (option) - in conjunction with ATEX Hazardous areas Ex db IIC T6 ... T1 Gb/- Ex db IIC Gb/-	International
	EAC (option) Hazardous areas	Eurasian Economic Community
	GOST (option) Metrology, measurement technology	Russia
	KazInMetr (option) Metrology, measurement technology	Kazakhstan
	BelGIM (option) Metrology, measurement technology	Belarus
	UkrSEPRO (option) Metrology, measurement technology	Ukraine
	Uzstandard (option) Metrology, measurement technology	Uzbekistan

1) Only for built-in transmitter

Manufacturer's information and certifications

Logo	Description
	SIL 2 Functional safety (only in conjunction with model T32 temperature transmitter)

Approvals and certificates, see website

Sensor

Sensor types

Type	Operating temperatures of the thermocouple			
	IEC 60584-1		ASTM E230	
	Class 2	Class 1	Standard	Special
K	-40 ... +1,200 °C [-40 ... +2,192 °F]	-40 ... +1,000 °C [-40 ... +1,832 °F]	0 ... 1,260 °C [32 ... 2,300 °F]	
J	-40 ... +750 °C [-40 ... +1,382 °F]	-40 ... +750 °C [-40 ... +1,382 °F]	0 ... 760 °C [32 ... 1,400 °F]	
E	-40 ... +900 °C [-40 ... +1,652 °F]	-40 ... +800 °C [-40 ... +1,472 °F]	0 ... 870 °C [32 ... 1,598 °F]	
N	-40 ... +1,200 °C [-40 ... +2,192 °F]	-40 ... +1,000 °C [-40 ... +1,832 °F]	0 ... 1,260 °C [32 ... 2,300 °F]	
R	0 ... 1,600 °C [32 ... 2,912 °F]	0 ... 1,600 °C [32 ... 2,912 °F]	0 ... 1,480 °C [32 ... 2,696 °F]	
S	0 ... 1,600 °C [32 ... 2,912 °F]	0 ... 1,600 °C [32 ... 2,912 °F]	0 ... 1,480 °C [32 ... 2,696 °F]	
B	600 ... 1,700 °C [1,112 ... 3,092 °F]	-	870 ... 1,700 °C [1,598 ... 3,092 °F]	-

Temperature ranges can be limited by protection tube materials.

The actual application range of these thermometers is limited by the permissible maximum temperature of the thermocouple as well as by the permissible maximum temperature of the protection tube material.

For detailed specifications for thermocouples, see IEC 60584-1, IEC 60584-3 or ASTM E230 and Technical information IN 00.23 at www.wika.com.

Tolerance value

For the tolerance value of thermocouples, a cold junction temperature of 0 °C [32 °F] has been taken as the basis.

Listed types are available both as single or dual thermocouples. The thermocouple will be delivered with an insulated measuring point, unless explicitly specified otherwise.

Neck tube, support tube

The neck tube is screwed into the connection head. The neck length depends on the intended use. Usually an isolation is bridged by the neck tube/support tube. Also, in many cases, the neck tube/support tube serves as a cooling extension between the connection head and the medium, in order to protect a possible built-in transmitter from high medium temperatures.

Specifications	
Material	
Neck tube	Stainless steel
Support tube	<ul style="list-style-type: none">■ Stainless steel 310■ 446■ Alloy 600
Connection thread to the head	<ul style="list-style-type: none">■ M20 x 1.5, adjustable lock nut■ 1/2 NPT
Neck tube/support tube length	Min. 270 mm [10.6 in] Min. 300 mm [12 in] for purge tube design Longer lengths on request
Process pressure	Max. 1.5 bar [22 psi]

Process connection

Process connection	
Nominal size	
ASME	1 ½" ... 6"
EN 1092-1	DN 40 ... DN 100
Pressure ratings	
ASME	150 ... 1,500 lbs
EN 1092-1	PN 40 ... PN 100
Sealing face	According to ASME B16.5 or EN 1092-1

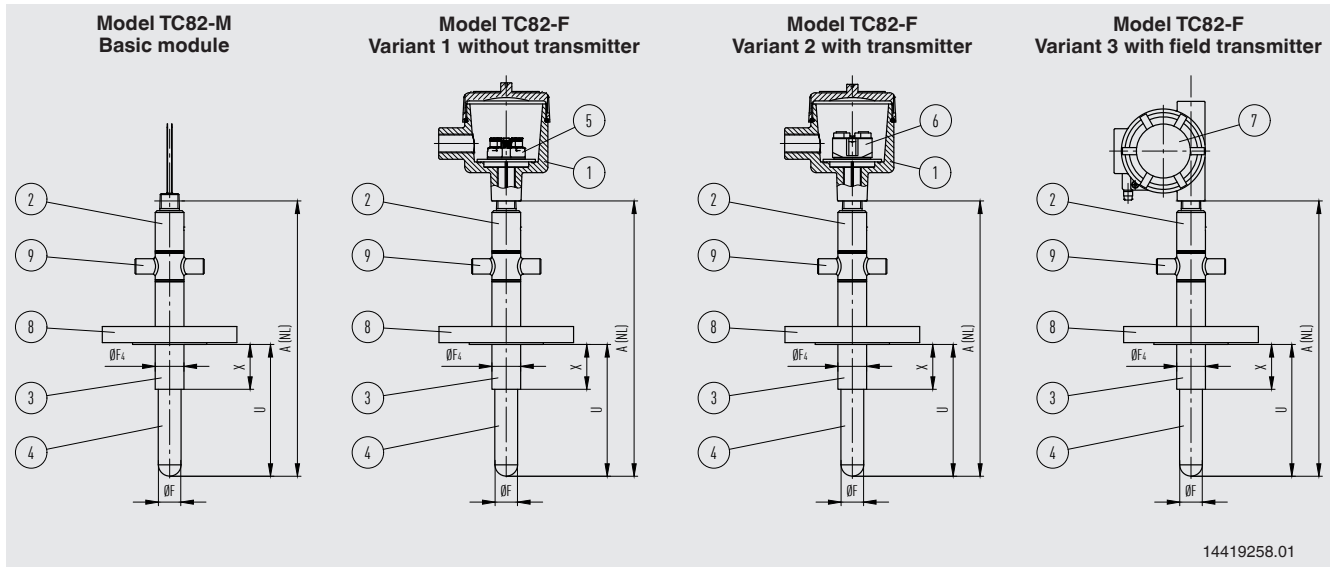
Flanges in accordance with other standards on request

Tests (option)

- Calibration at 3 test points (900 °C [1,652 °F], 1,000 °C [1,832 °F] and 1,100 °C [2,012 °F])
- Calibration at 3 test points (1,000 °C [1,832 °F], 1,200 °C [2,192 °F] and 1,400 °C [2,552 °F])

Further tests are available on request.

Components model TC82



Legend:

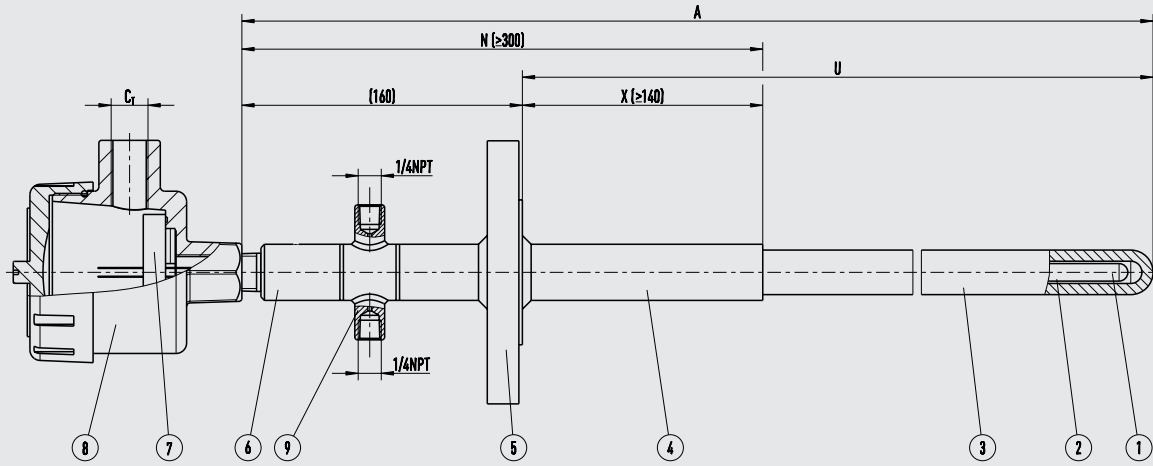
- | | |
|------------------------|--|
| ① Connection head | A (NL) Nominal length |
| ② Neck tube | U Insertion length |
| ③ Metal support tube | X Support tube length below process connection |
| ④ Protection tube | |
| ⑤ Terminal block | |
| ⑥ Transmitter (option) | |
| ⑦ Field transmitter | |
| ⑧ Process connection | |
| ⑨ Purge (option) | |

Dimensions in mm

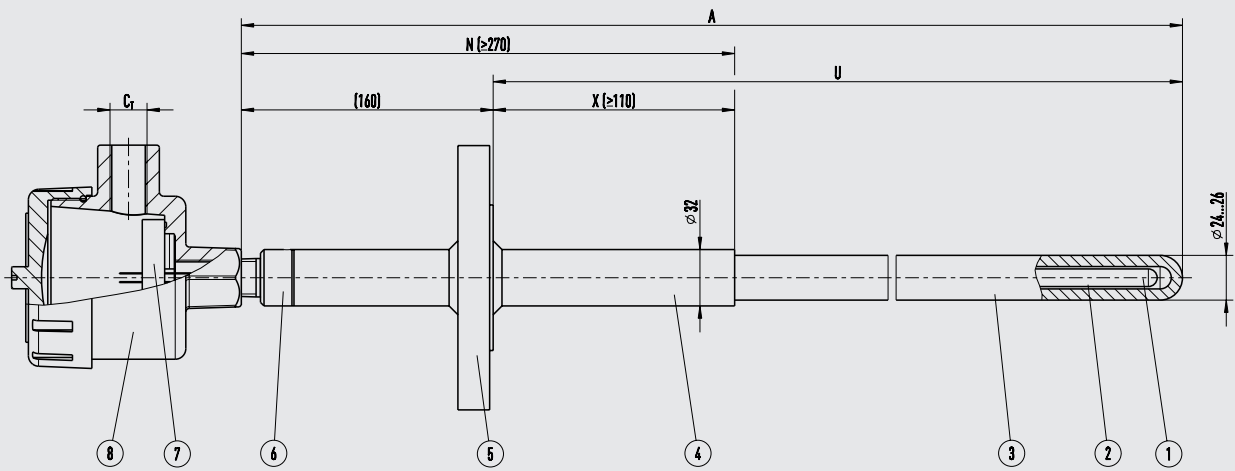
Metal support tube: \varnothing 32 mm [1.259 in]
 Ceramic protection tube: \varnothing 24 ... 26 mm [0.945 ... 1.024 in]
 Insertion length U: Typically between 300 ... 1,000 mm [12 ... 39 in]

Other materials and dimensions on request

Model TC82-F, with purge system



Model TC82-F, without purge system



Legend:

- | | | | |
|------------------------------|--|---|-------------------------------------|
| A (NL) | Nominal length | ① | Thermocouple |
| U | Insertion length | ② | Inner protection tube ceramic |
| N (L ₄) | Neck tube/support tube length | ③ | Outer protection tube ceramic |
| X | Neck tube/support tube length below process connection | ④ | Metal support tube |
| \varnothing F | Protection tube outer diameter | ⑤ | Process connection |
| \varnothing F ₄ | Support tube diameter | ⑥ | Neck tube |
| | | ⑦ | Terminal block/transmitter (option) |
| | | ⑧ | Connection head |
| | | ⑨ | Purge connection 1/4 NPT |

Ceramic protection tube

Ceramic protection tubes are made from fired aluminium oxide ceramics, the tip is spherical. Due to the low mechanical strength, a metal support tube is used to fix the process connection to the thermometer.

The ceramic protection tube is cemented into the support tube using a fireproof ceramic compound. The support tube is screwed into the connection head.

Materials for ceramic protection tubes

- Ceramic C 530 not gas-tight, fine-pored, highly resistant to changes in temperature, useable up to 1,600 °C [2,912 °F], not attacked by gases
Used as outer protection tube in combination with gas-tight inner protection tube
- Ceramic C 610 gas-tight
up to 1,500 °C [2,732 °F], not resistant to alkali vapours
- Ceramic C 799 gas-tight, high-purity
up to 1,600 °C [2,912 °F], however only partially resistant to changes in temperature, not resistant to alkali vapours
- Silicon carbide (Hexaloy®) gas-tight
up to 1,650 °C [3,000 °F]

other materials on request

Inner tube (optional)

If the outer protection tube selected for model TC82 is from C 530 non-gas-tight ceramic, it should be combined with a gas-tight inner tube to protect the thermocouple from aggressive gases.

As a result, changes in the thermoelectric properties of the thermocouple are avoided, and, in addition, the service life of the thermometer is generally prolonged.

Materials for inner tube

- Ceramic C 610 gas-tight
up to 1,500 °C [2,732 °F], not resistant to alkali vapours
- Ceramic C 799 gas-tight, high-purity
up to 1,600 °C [2,912 °F], however only partially resistant to changes in temperature, not resistant to alkali vapours

Design with ceramic protection tube

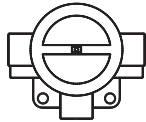
Depending on the ceramics used the upper operating temperature limit of ceramic protection tubes can be up to 1,600 °C [2,912 °F], with higher temperatures on request. Generally a precious metal thermocouple is used as a sensor (type R, S and B).

For the measurement of temperatures above 1,200 °C [2,192 °F] only precious metal thermocouples can be used. With precious metal thermocouples, however, there is a risk of 'poisoning' by foreign substances. This risk rises with increasing temperatures. Therefore, at temperatures above 1,200 °C [2,192 °F] gas-tight ceramics, preferably high-purity C 799, should be used. Additionally, a gas purge system is recommended.

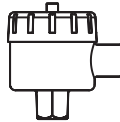
Connection head



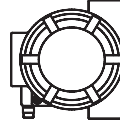
1/4000



5/6000



7/8000



other connection housings ¹⁾

Model	Material	Cable entry	Ingress protection	Cap	Surface finish
1/4000 F	Aluminium	½ NPT, M20 x 1.5	IP66 ²⁾	Screw cover	Blue, painted ³⁾
1/4000 S	Stainless steel	½ NPT, M20 x 1.5	IP66 ²⁾	Screw cover	Blank
5/6000 W	Aluminium	½ NPT, M20 x 1.5	IP66 ²⁾	Screw cover	Blue, painted ³⁾
5/6000 S	Stainless steel	½ NPT, M20 x 1.5	IP66 ²⁾	Screw cover	Blank
7/8000 W	Aluminium	½ NPT, M20 x 1.5	IP66 ²⁾	Screw cover	Blue, painted ³⁾
7/8000 S	Stainless steel	½ NPT, M20 x 1.5	IP66 ²⁾	Screw cover	Blank

1) List of all possible connection housings see annex of the explosion certificates.

2) The indicated ingress protection only applies for TC82 with corresponding cable gland, appropriate cable dimensions.

3) RAL 5022

Field temperature transmitter with digital display (option)

Field temperature transmitter, models TIF50, TIF52

As an alternative to the standard connection head the thermometer can be fitted with an optional model TIF50 or TIF52 field temperature transmitter.

The field temperature transmitter comprises a 4 ... 20 mA/ HART® protocol output and is equipped with an LCD indication module.

Model TIF50: HART® slave

Model TIF52: HART® master



Field temperature transmitter models TIF50, TIF52

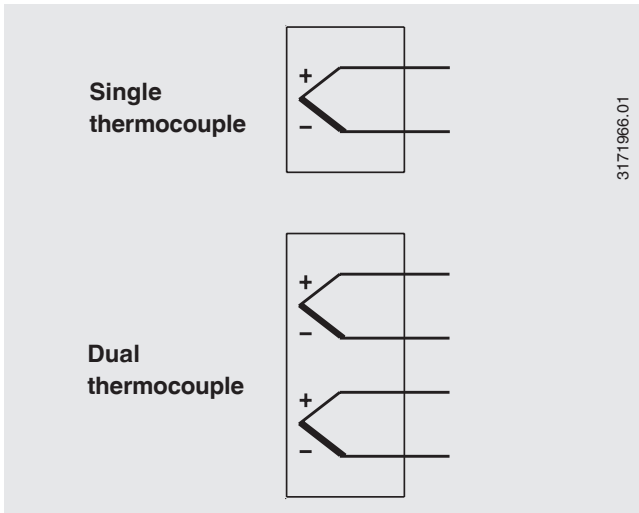
Transmitter (option)

As an option, WIKA transmitters can be installed in the TC82 connection head.

Output signal 4 ... 20 mA, HART® protocol		
Transmitter (selectable versions)	T32	TIF50, TIF52
Data sheet	TE 32.04	TE 62.01
Output		
4 ... 20 mA	x	x
HART® protocol	x	x
Display	x	x
Galvanic isolation	x	x

Other transmitters on request

Electrical connection



For the electrical connections of built-in temperature transmitters see the corresponding data sheets or operating instructions.

Operating conditions

Ambient and storage temperature

-60 ¹⁾ / -40 ... +80 °C [-76 ¹⁾ / -40 ... +176 °F]

1) Special version on request (only available with specific approvals)

Other ambient and storage temperatures on request

Ingress protection

IP66 per IEC/EN 60529

The indicated ingress protection only applies for TC82-F with corresponding connection head, cable gland and appropriate cable dimensions.

Ordering information

Model / Sensor / Sensor specification / Thermometer operating range / Measuring point / Terminal box / Thread size at the cable entry / Transmitter / Neck tube version / Connection to case, connection head / Neck tube length N(MH) / Insertion length A / Measuring insert / Options

© 07/2021 WIKA Alexander Wiegand SE & Co. KG, all rights reserved.
The specifications given in this document represent the state of engineering at the time of publishing.
We reserve the right to make modifications to the specifications and materials.

Functional safety (option)

In safety-critical applications, the entire measuring chain must be taken into consideration in terms of the safety parameters. The SIL classification allows the assessment of the risk reduction achieved by the safety installations.

Selected TC82 process thermocouples in combination with an appropriate temperature transmitter (e.g. model T32.1S) are suitable as sensors for safety functions up to SIL 2.

Certificates (option)

Certification type	Measuring accuracy	Material certificate for wetted metallic parts
2.2 test report	x	x
3.1 inspection certificate	x	x

The different certifications can be combined with each other.

The minimum length (ceramic part of the probe) for carrying out a measurement accuracy test 3.1 or DAkkS is 350 mm [13.78 in] for standard versions.
Calibration of instruments with ceramic lengths of 200 mm [7.87 in] to 350 mm [13.78 in] on request.

