

KP-S

Sampling directly from the container/tank

- for liquid media
- für media containing solids
- Ventilation: system external to atmosphere

DN 15 - 100, PN 10 - 40

NPS ½" - 4" / Class 150 - 300 Application range: -29

< T < 230°C, vacuum 10⁻⁸ mbar



Design Features

Design Features

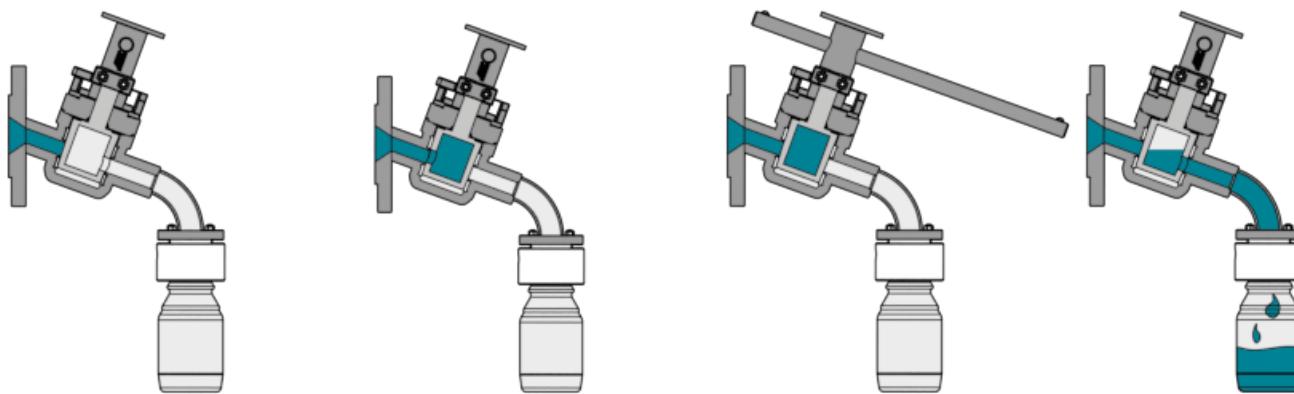
- sampling directly from container or tank
- defined representative sample quantity
- sample quantity from Pmin 25 ml to Pmax 100 ml

Options

- heating jacket
- purging device
- automation
- adapter for laboratory bottle with custom thread

Working

principle



default position

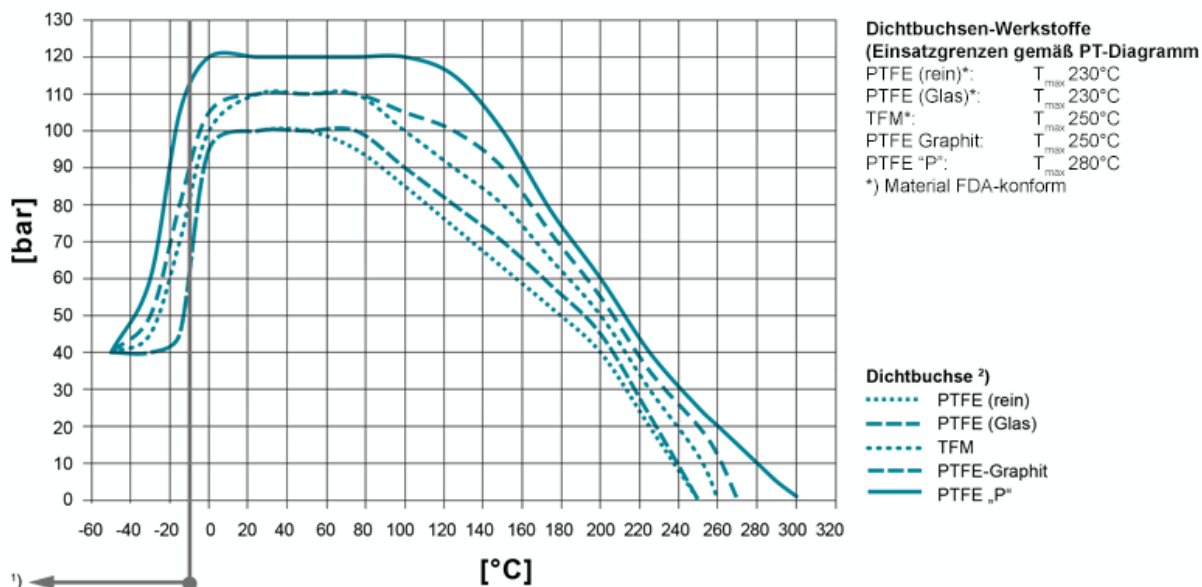
filling of the plug,
pre-defined sample size

isolation of sample
– pressure-less ! –

sample taking,
filling the bottle

PT-Diagramm

Allgemeines Druck-/Temperatur-Diagramm



Operating temperatures < -30°C and > 220 °C have to be checked and approved by AZ according to the operating conditions. Besides the P/T value of the sleeve the limitations of the valve bodies also have to be considered. Please refer to the EN 12516-1 resp. ASME B16.34 in order to choose a proper pressure rating (PN/class). The shown values refer to austenitic stainless steel 1.4408 (A351 Gr. CF8M). 1) For operating temperatures below -10°C low temperature / austenitic steels are required. 2) Sleeve: There are different sleeve materials / compounds available.

Materials

Standard body materials

- Carbon Steel 1.0619, ASTM A216 WCB
 - Stainless Steel 1.4408, ASTM A351 CF8M
 - Stainless Steel 1.4308, ASTM A351 CF8
 - Unalloyed stainless steel casting (low Temp.) 1.1138, LCC/LCB/A352
- ### Standard plug materials
- Stainless Steel 1.4408, ASTM A351 CF8M
 - Stainless Steel 1.4308, ASTM A351 CF8
- ### Special materials

- Alloys
- Monel
- Nickel
- Titan
- other materials on request

Sealing Systems

Standard sealing for all major applications;

T_{max} 230°C

Type STD

[read more \[...\]](#)

Dimensions

on request

Actuation

on request