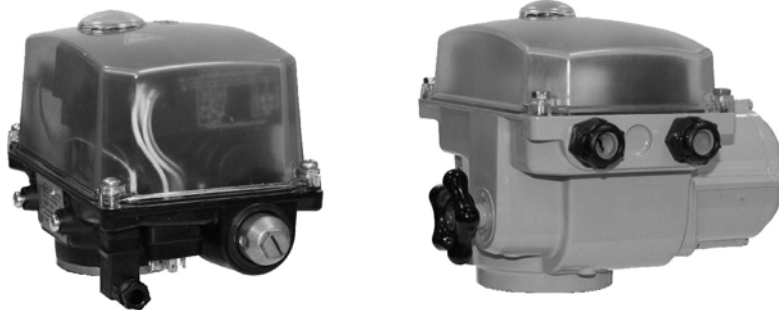


Direct 1/4 turn electric actuators ACTELEC BERNARD LEA and LEB



Output torques up to 100 Nm

Applications

- Building services.

General feature

- The range series direct 1/4 turn electric actuators ACTELEC LEA and LEB covers output values up to 100 Nm.
- These actuators have been designed for the following applications: heating, air-conditioning, ventilation, greenhouses, irrigations, swimming pools and for the operation of any type 1/4 turn valves.
- The mounting interface is in accordance with ISO 5211 standard.
- Equipped with an interchangeable insert, they can be easily fitted on different valve shaft (square end or flat end).
- The actuator is mounted directly or by means of an adaptor onto the valve mounting plate.
- Irreversible kinematic in any position.
- In accordance with CE/CFA standard.

Materials

- Reinforced Polyamid body: LEA
- Aluminium body + epoxy painting: LEB
- Polycarbonate cover: LEA and LEB

Environment

- Working temperature: from -10° C up to +50° C
- Protection level: IP 65

Construction

- In standard version, ACTELEC LEA and LEB actuators are designed to ensure the on-off function, intermittent duty S4 - 30%.
- Electric remote control.

Equipements

- Electric motor protection by:
 - Torque limit system for LEA.
 - Thermoruptor for LEB,
 - 2 travel limit microswitches (1 microswitch on opening position and 1 on closing position).
- Heating resistance anti-condensation (LEB).
- Manual emergency control by handwheel.
- Position visual indicator.
- Mechanical adjustable end stop(s).
- No option.

Power supply

- Standard version:
 - 1-phase 230 VAC 50 Hz - 60 Hz.

ACTELEC LEA and LEB electric actuators are based on a direct 1/4 turn servomotor with a mounting interface in accordance with ISO 5211.

Type	Nominal output torque (Nm)	ISO 5211 mounting plate*	Maximal allowable dimension for shaft		
			Height	Driving by square	Driving by flat
LEA-2	25	F04 - F05	30	16	14
LEA-3	35	F04 - F05	30	16	14
LEB-4	45	F05 / F07	32	19	19
LEB-10	100	F05 / F07	32	19	19

* Direct adaptation onto identical mounting plate.

Definition

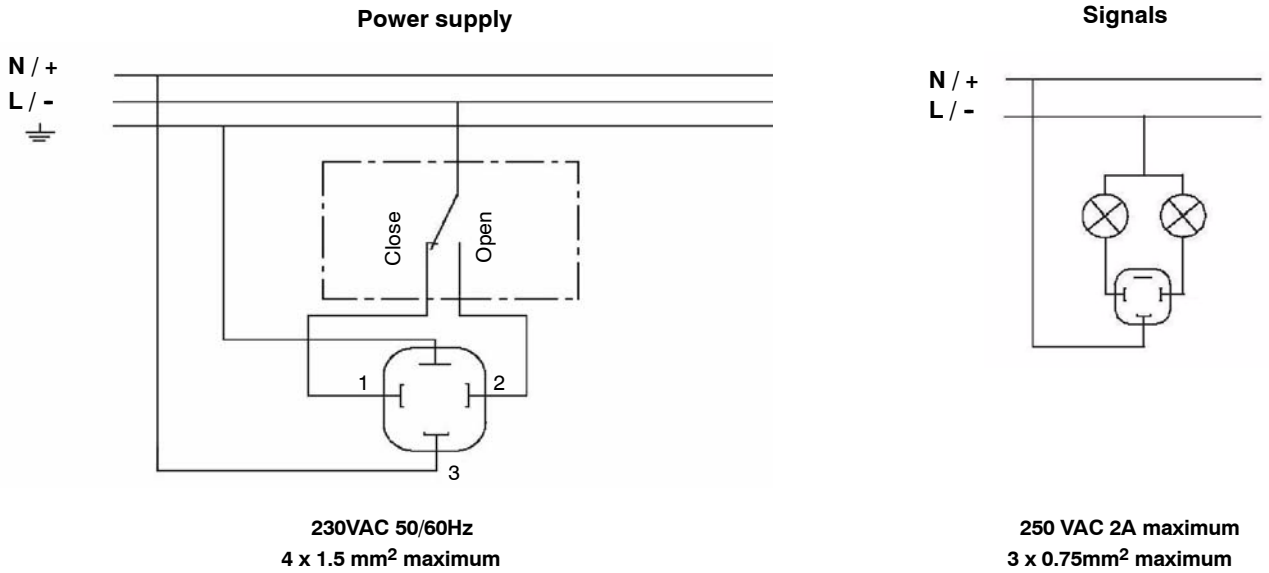
ACTELEC	LEA-2	LEA-3	LEB-4	LEB-10
Nominal torque (Nm)	25	35	45	100
operating time in seconds	20	20	6	35
Basic equipments				
Motor stop switches	Standard			
Mechanical adjustable travel limit stops	Standard			
Opening and closing travel limit switches	Standard			
Heating resistance	Integrated		2 W	
Emergency control	By nut and screw		By handwheel	
Power supply				
1-phase 230 VAC	Wiring diagram - See next page			
Connection	2 connectors		2 Packing glands	

Characteristics actuator

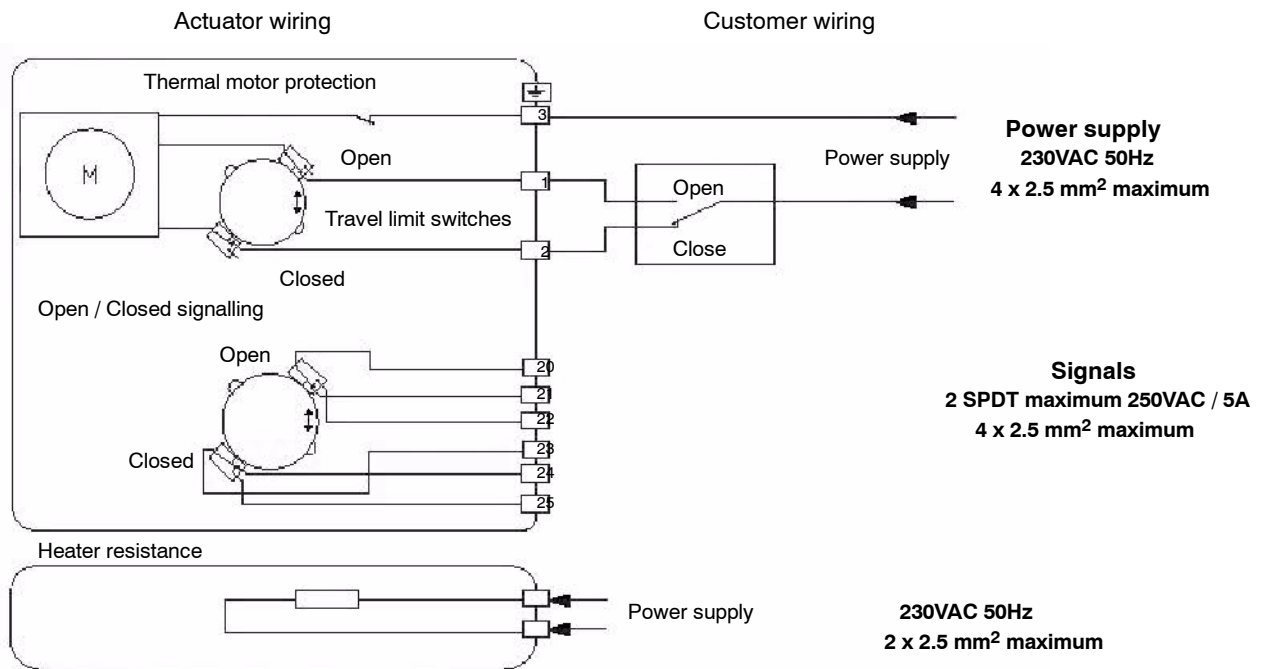
Electric actuator type	1-phase 230 VAC 50 Hz			
	Actuator output speed sec/90°	Nominal power	Nominal intensity	Starting intensity
		W	A	A
LEA-2	20	35	0,8	0,9
LEA-3	20	45	0,6	0,9
LEB-4	6	30	1,2	1,7
LEB-10	35	15	0,6	0,9

On/off function:

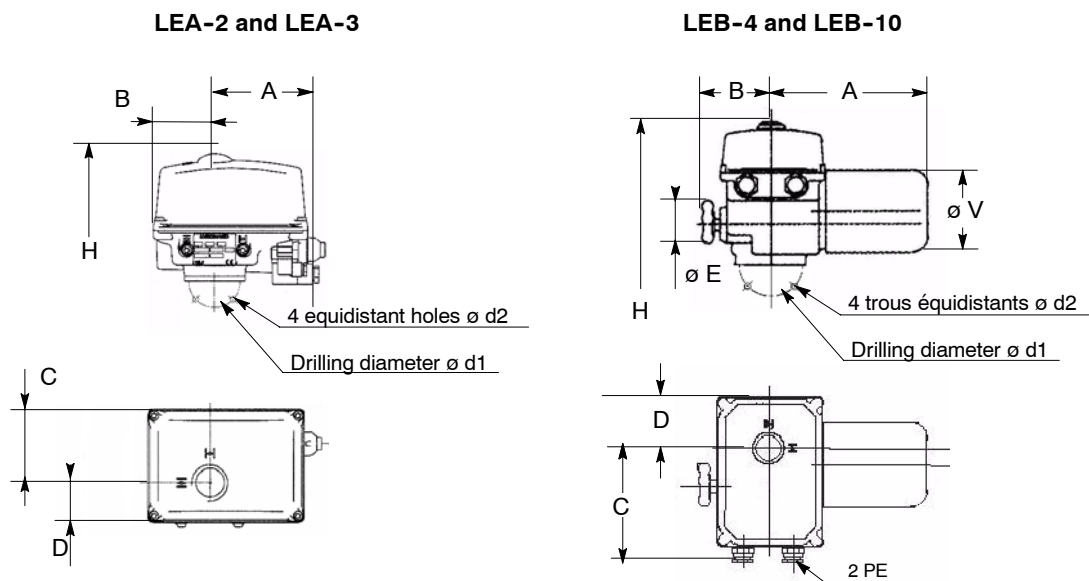
Wiring diagram for LEA model: connection by connectors



Wiring diagram for LEB model: connection by packing gland



Overall dimensions (mm) and weight (kg)



Type	A	B	C	D	ø E	H	ø V	Mounting plate ISO 5211			Weight kg
								ref.	ø d1	ø d2	
LEA-2	118	65	77	41	-	135	-	F04	42	M6	1,6
								F05	50	M6	
LEA-3	118	65	77	41	-	135	-	F04	42	M6	1,6
								F05	50	M6	
LEB-4	148	90	140	65	60	184	106	F05	50	M6	5,0
								F07	70	M8	
LEB-10	191	90	140	65	60	184	106	F05	50	M6	5,5
								F07	70	M8	

This leaflet is not contractual
and may be amended without notice.

11.10.06

8521.16/1-10