

ELECTRIC ACTUATOR SA05

GENERAL DESCRIPTION

The SA05 electric actuator is dedicated to the actuation of industrial ¼ turn valve. The torque value is 50 Nm. With a compact design, an IP 67 cast aluminium enclosure and an epoxy protection, the SA electric actuator is especially adapted to the actuation of ball valves and butterfly valves in outdoor or indoor areas. The SA05 is equipped with a visual 3D position indicator and a manual override driven by an Allen key. It complies with the EN 15714-2 standard.

AVAILABLE ITEMS

Voltage: 230 V AC (50-60 Hz), 24 V AC/DC and 12 V DC



LIMITS OF USE

Protection rating	IP 67
Temperature range	-20 °C / +70 °C
Service	S2 - 70%

MECHANICAL CHARACTERISTICS

Gears	Treated steel pinions
Torque	50 Nm
Rotation angle	90° +/-5°
Decutching	N/A
Manual override	Allen key (except for SA05S)



Electric actuator	SA05			SA05S	
Voltage	230 V AC	24 V AC/DC	12 V DC	230 V AC	24 V AC/DC
Torque	50 Nm				
Operating time	17 s	17 s	17 s	100 s	100 s
ISO 5211 pad	F03/F05/F17 star 14				

ELECTRICAL CHARACTERISTICS

Motor protection	Thermal cut-out	Anti-condensation	2 W heater
Limit switches	2 adjustable switches	Electrical connection	2 gland packs M20x1.5
Auxiliary switches	2 adjustable dry switches		

Electric actuator	SA05			SA05S	
Voltage	230 V AC	24 V AC/DC	12 V DC	230 V AC	24 V AC/DC
Power	6 W	15 W	15 W	6 W	6 W
Intensity	0.24 A	1.8 A	3.6 A	0.24 A	1.8 A

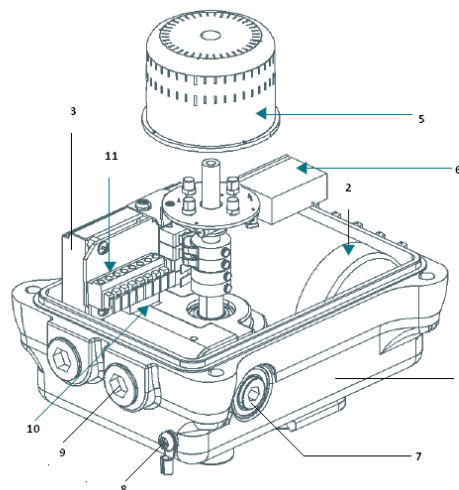
The following data is for information purpose only and may be subject to alteration without prior notice

	SECTORIEL S.A. 45, rue du Ruisseau 38290 Saint Quentin-Fallavier – FRANCE Tel.: +33 474 94 90 70 – Fax: +33 474 94 13 95 www.sectoriel.fr / email: sectoriel@sectoriel.fr	Pages	1/3
		Ref.	FT23010 GB
		Rev.	7
		Date	06/2012

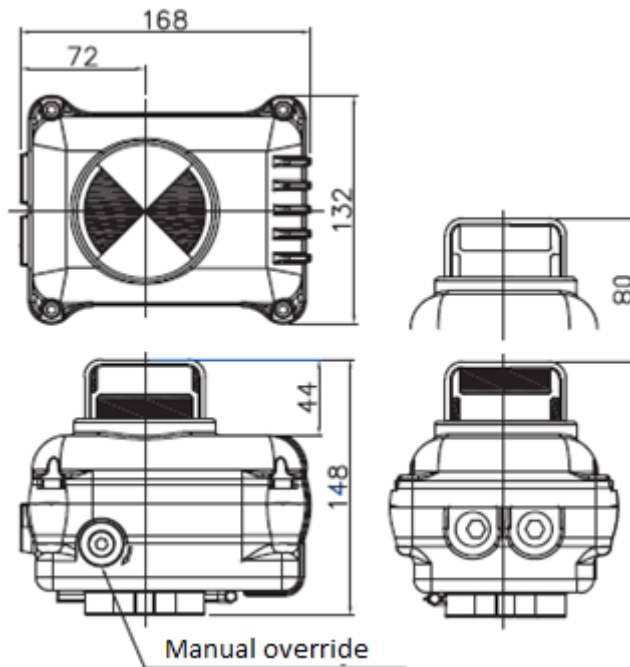
ELECTRIC ACTUATOR SA05

CONSTRUCTION


1	Enclosure	Polyester coated aluminium
2	Electric motor	
3	Gear	Treated steel pinions
4	Cover	Polyester coated aluminium
5	Position indicator	Polycarbonate plastic
6	Condenser	
7	Manual override	
8	Connection to ground	
9	Cable inlet	
10	Anti-condensation heater	
11	Terminal block	



DIMENSIONS (mm)



The following data is for information purpose only and may be subject to alteration without prior notice

	SECTORIEL S.A. 45, rue du Ruisseau 38290 Saint Quentin-Fallavier – FRANCE Tel.: +33 474 94 90 70 – Fax: +33 474 94 13 95 www.sectoriel.fr / email: sectoriel@sectoriel.fr	Pages	2/3
		Ref.	FT23010 GB
		Rev.	7
		Date	06/2012

ELECTRIC ACTUATOR SA05

WIRING SCHEME 230 V AC

1	Common	<p> CLS : CLOSE LIMIT SWITCH (250VCA 3A) OLS : OPEN LIMIT SWITCH (250VCA 3A) ACLS : AUX. CLOSE LIMIT SWITCH (250VCA 3A) AOLS : AUX. OPEN LIMIT SWITCH (250VCA 3A) TP : THERMAL PROTECTOR </p>
2	Anti-condensation heater	
3	Closing control	
4	Opening control	
5	Auxiliary switch closing	
6	Auxiliary switch closing	
7	Auxiliary switch opening	
8	Auxiliary switch opening	

WIRING SCHEME 24 V AC/DC

1	Common or +	<p> CLS : CLOSE LIMIT SWITCH (250VCA 3A) OLS : OPEN LIMIT SWITCH (250VCA 3A) ACLS : AUX. CLOSE LIMIT SWITCH (250VCA 3A) AOLS : AUX. OPEN LIMIT SWITCH (250VCA 3A) TP : THERMAL PROTECTOR RM : MOTOR REGULATION </p>
2	Closing control	
3	Opening control	
4	Auxiliary switch closing	
5	Auxiliary switch opening	
6	Auxiliary common	
7-8	Anti-condensation heater power supply	

OPTIONS

1	SA05X: ATEX area version
2	SA05PIU: feedback potentiometer version
3	SA05CPT: 4-20 mA position transmitter version
4	SA05PCU: 0-10, 2-10 V, 2-20 mA, 4-20 mA regulation card version
5	SA05LCU: local control version
6	SA05RBP: integrated battery emergency shutdown device version

The following data is for information purpose only and may be subject to alteration without prior notice

	SECTORIEL S.A. 45, rue du Ruisseau 38290 Saint Quentin-Fallavier – FRANCE Tel.: +33 474 94 90 70 – Fax: +33 474 94 13 95 www.sectoriel.fr / email: sectoriel@sectoriel.fr	Pages	3/3
		Ref.	FT23010 GB
		Rev.	7
		Date	06/2012