

ELECTRIC ACTUATOR UM 1,5

The electrical actuator UM 1.5 is generally used on ¼ turn valves. The maximum output torque is 15 Nm. Its compact construction makes it convenient for actuation of small diameter ball valves.

MECHANICAL CHARACTERISTICS

Enclosure "AA" nylon
 treated carbon steel gears
 Position indicator on the top
 mounting pad ISO 5211- F03/ F05
 Output star 11 mm

ELECTRICAL CHARACTERISTICS

Thermal motor protection
 Electrical connection by 300 mm cable
 2 adjustable limit switches
 2 feeded auxiliary switches

SERVICE

30% of the time
 Maximum 5 starts per hour

LIMITS OF USE

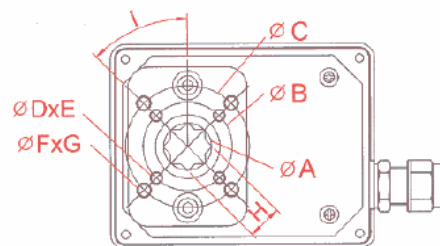
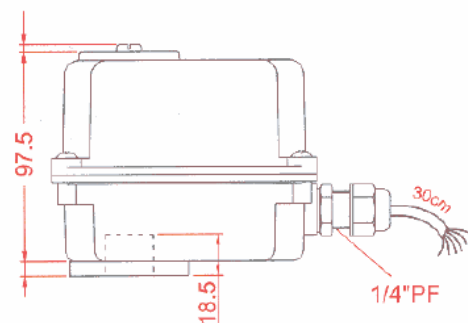
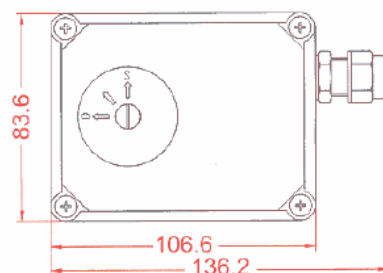
Temperature range: -10°C to +50°C
 Protection: IP65

APPROVALS

ISO 9001 – CE
 CSA – UL 429

CONSTRUCTION

Body	Plastic AA Nylon
Cover	Plastic AA Nylon
Shaft	Chromed steel
Cams	Carbon steel
Gear box	Treated steel



Data subject to alteration



Réf.: FT
 2200GB

Rev.: 2

Page : 1/2

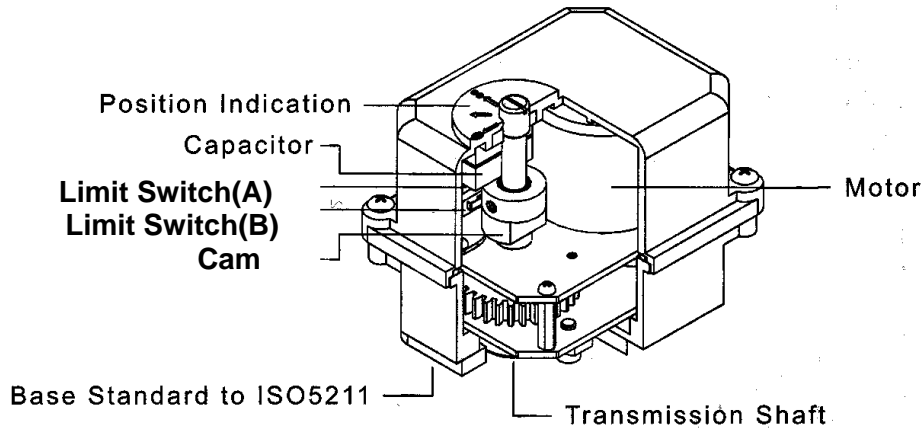
Date : 11/06

ELECTRIC ACTUATOR UM 1,5

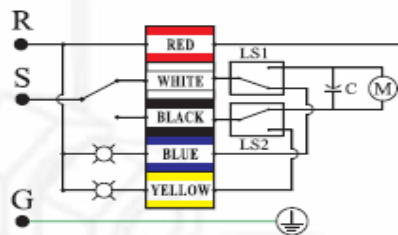
OTHER CHARACTERISTICS

Code	Torque (Nm)	Voltage	Time (s)	Power (W)	ISO	Star
022000	15	230 V ac	28	4	F03 / F05	11
022001	15	24 V ac	28	4	F03 / F05	11

WIRING



1. The Red is main line.
2. The White is "OPEN".
3. The Black is "CLOSE".
4. The Blue is "OPEN INDICATOR".
5. The Yellow is "CLOSE INDICATOR".

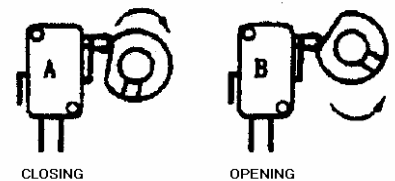


OPTIONS



ADJUSTMENT OF THE LIMIT SWITCHES

- 1 - The cams are fixed on the main shaft
- 2 - Clockwise rotation = valve will close: the switch stops the motor
- 3 - Counterclockwise rotation = valve will open: the switch stops the motor



Data subject to alteration