

# HD206

Vacuum breakers

## Technical Data Sheet



## Description

Vacuum breakers are double protection valves, containing the following in the flow direction, one non-return valve. One vacuum breaker (water/air tightness ensured by a membrane). This vacuum breaker ensures that the downstream is emptied when the flow is stopped and prevents the backflow of used water through a possible leak in the non-return valve, in the event of depression in the mains. It doesn't allow any closing device downstream.

- Operating position : vertical ascending
- Minimum head loss; silent, robust
- Does not generate hammering
- Closing system : double axial guiding with release spring
- Excellent sealing at high as well as at low pressure ensured by a specially designed lip-ring seal



### HD206

Vacuum breaker

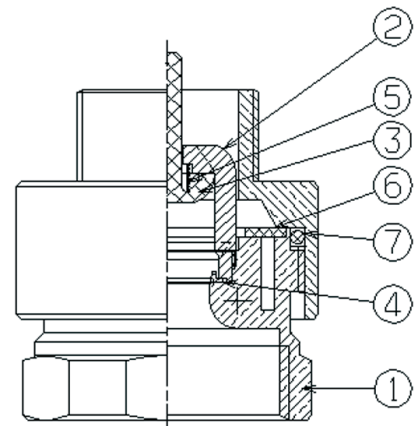
DN		Ref.	Weight Kg
F "	M "		
3/4	1/2	149B2179	0,10
1/2	1/2		
3/4	3/4		

#### Technical features

Operating temperature	-10 °C at 65 °C
Connection	Female/male, BSP thread
Mediums	Clear liquids

#### Nomenclature and materials

N°	Description	Material	EURO	ANSI
1	Body	Chrome plated brass	CuZn39Pb3	ASTM B 455
2	Guide	Polybutylene (PBTP)		
3	Closing system	polyacetal (POM)		
4	Seal	EPDM		
5	Spring	Stainless steel	X10CrNi18-8	AISI 302
6	Membrane	NBR		
7	Seal	NBR		



## Approvals

### ACS

**International construction Standards :**  
Thread connection according to NFE 03-005 - ISO 228

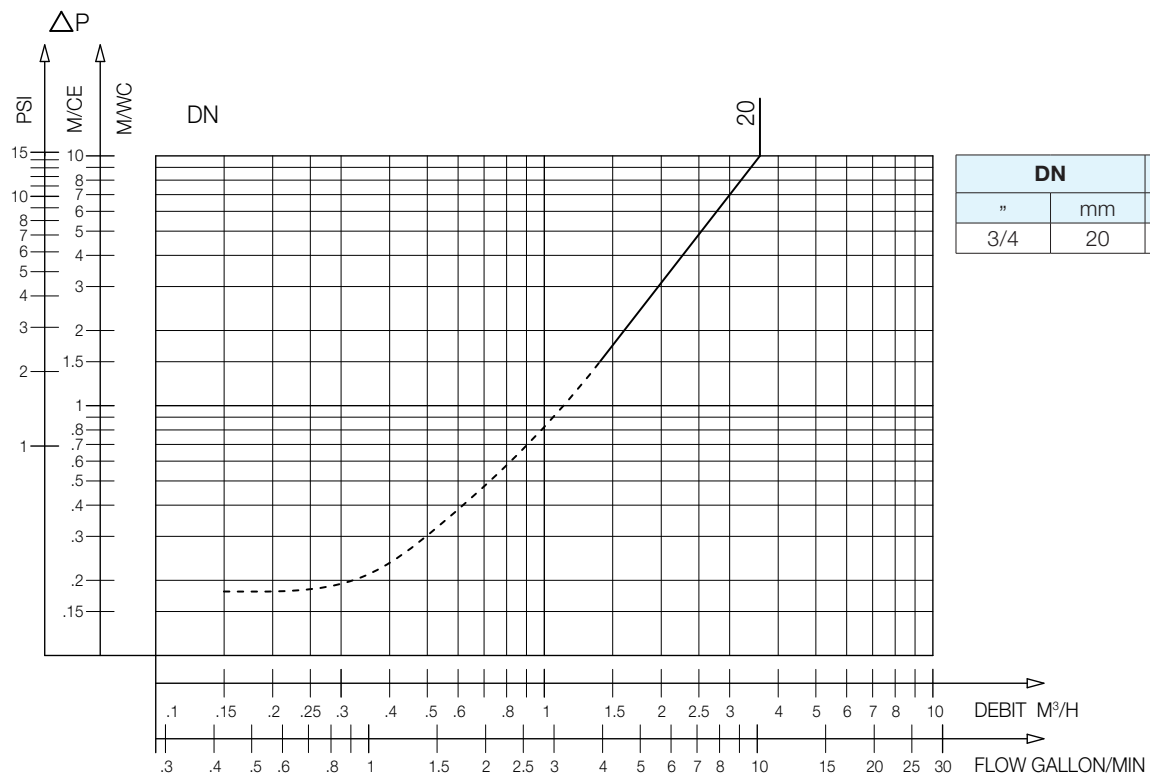
## Application

Protection of drinking water networks.

## Operation

**Direction for use :**

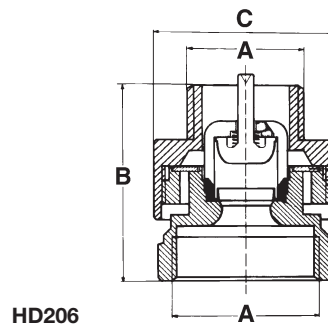
- Solid line: Valve completely open
- Dotted line: opening stage of valve



HD206 - Headloss chart

## Sizing

A in "		B	C
Inlet F	Outlet M	mm	mm
3/4	1/2	36	33



The descriptions and photographs contained in this product specification sheet are supplied by way of information only and are not binding.

Socla reserves the right to carry out any technical and design improvements to its products without prior notice. Warranty : All sales and contracts for sale are expressly conditioned on the buyer's assent to Socla terms and conditions found on its website at [www.socla.com](http://www.socla.com). Socla hereby objects to any term, different from or additional to Socla terms, contained in any buyer communication in any form, unless agreed to in a writing signed by an officer of Socla.



**A WATTS Brand**

**Socla sas**

365 rue du Lieutenant Putier • 71530 Virey-Le-Grand • France

Tel. +33 03 85 97 42 00 • Fax +33 03 85 97 42 42

[contact@wattswater.com](mailto:contact@wattswater.com) • [www.socla.com](http://www.socla.com)

ISO 9001 version 2015 / ISO 18001