

EA 253

EA antipollution non-return valves

System 03

Technical Data Sheet



Description

The non-return valve EA 253 is certified to the NF antipollution norms. This non-return valve is designed for the protection of drinking water network against polluted backflow which has no recognized toxic or microbiological risks to human health. It is particularly suitable for mounting after watermeter.

- Excellent sealing at high as well as low pressure (NF)
- Drilled bosses with plug (DN 50 : 1/4" - DN 65 : 1/2")



EA 253

EA antipollution non-return valves - System 03

DN		PFA in bar	PS in bar				Cat.	Ref.	Weight Kg
"	mm		L1	L2	G1	G2			
2 1/2	50	16	16	16	15	16	I	149B3810	2,6
3	60	16	16	16	12	16	I	149B3811	4,8

Important notice :

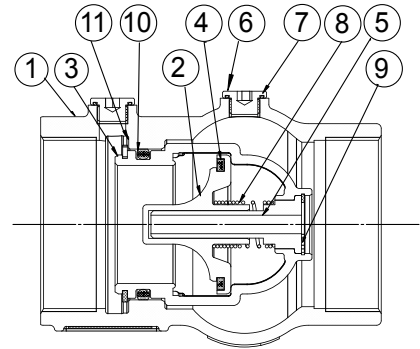
The indicated pressure for the different categories of fluids (L1/L2/G1/G2) is under no condition a guarantee of use. Therefore, it is essential to validate the use of products under given operating conditions.

Technical features

Operating temperature	-10 °C at 100 °C
Permissible operating pressure (PFA) in water	See table above
Maximum permissible pressure (PS) other mediums	See table above
Connection	Female/female, BSP thread
Mediums	Clear liquids, gas

Nomenclature and materials

N°	Description	Materials	EURO	ANSI
1	Body	Cast iron/Epoxy	EN-GJS-400.15	ASTM A 536 65-45-12
2	Closing system	DZR Brass	CuZn36Pb2As	
3	Seat	Stainless steel	GX5CrNi 19-10	AISI 304
4	Flat seal	EPDM		
5	Stem	DZR Brass	CuZn36Pb2As	
6	Plug	Brass	CuZn39Pb3	
7	O-ring	EPDM		
8	Spring	Stainless steel	X10CrNi18-8	AISI 302
9	Circlips	Stainless steel	X5CrNi 18-10	AISI 304
10	O-ring	EPDM		
11	Circlips	Stainless steel	X5CrNi 18-10	AISI 304



Approvals



International construction Standards :

Thread connection according to NF EN 10226-1
NF Antipollution according to NF EN 13959 - EN1717

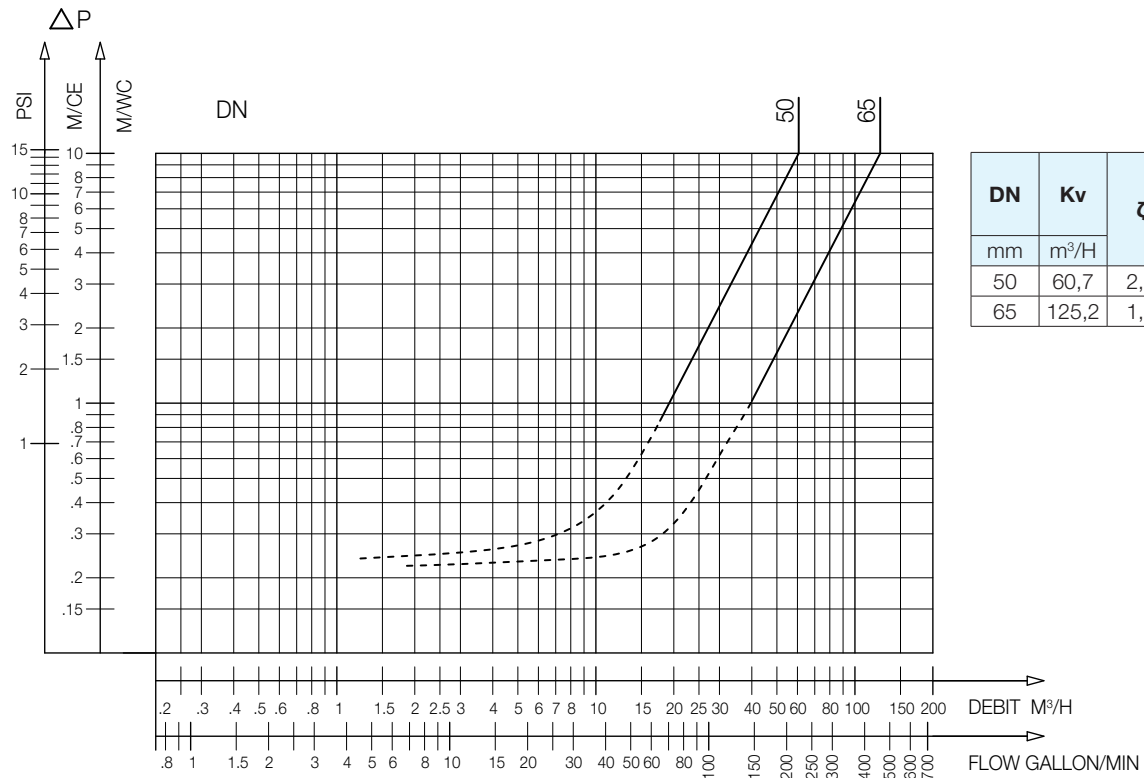
Application

Housing, water distribution, protection of drinking water networks.

Operation

Direction for use :

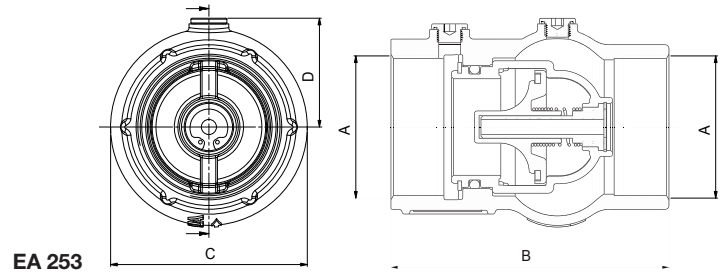
- Solid line: Valve completely open
- Dotted line: opening stage of valve



EA 253 - Headloss chart

Sizing

DN	A	B	C	D
mm	"	mm	mm	mm
50	2 1/2	147	106	58
65	3	199	146	91



The descriptions and photographs contained in this product specification sheet are supplied by way of information only and are not binding.
 Socla reserves the right to carry out any technical and design improvements to its products without prior notice. Warranty : All sales and contracts for sale are expressly conditioned on the buyer's assent to Socla terms and conditions found on its website at www.socla.com. Socla hereby objects to any term, different from or additional to Socla terms, contained in any buyer communication in any form, unless agreed to in a writing signed by an officer of Socla.



A WATTS Brand

Socla sas

365 rue du Lieutenant Putier • 71530 Virey-Le-Grand • France

Tel. +33 03 85 97 42 00 • Fax +33 03 85 97 42 42

contact@wattswater.com • www.socla.com

ISO 9001 version 2015 / ISO 18001