

**LUG GAS BUTTERFLY VALVE NF ROBGAZ**



Reinforced lug for DN200 :



- Size :** DN 40 to 200 mm
- Ends :** Between ISO PN10/16 flanges ( PN10 for DN200)
- Min Temperature :** - 20°C
- Max Temperature :** + 60°C
- Max Pressure :** 5 Bars
- Specifications :** Long neck for isolation  
Lug type  
Full crossing stem  
ISO 5211 mounting pad

**Materials :** Cast iron EN GJS 500-7 body

## LUG GAS BUTTERFLY VALVE NF ROBGAZ

### SPECIFICATIONS :

- Long neck for isolation
- ISO 5211 mounting pad
- Lug type ( Reinforced lug for DN200 )
- Between ISO PN10/16 flanges ( PN10 for DN200 )
- **Certificate NF ROBGAZ**
- Full crossing stem
- Removable seat
- Stainless steel disc up to DN100 included
- 9 positions lever with locking device
- Rilsan coated body color RAL 5024 , 250-300 microns thickness

### USE :

- Fluids : Gas
- Min and max Temperature Ts : - 20°C to + 60°C
- Max Pressure PN : 5 bars ( MOP 5 class )

### RANGE :

- With lever from DN 40 to DN 200

### ENDS :

- Between ISO PN10/16 flanges up to DN150 and ISO PN10 for DN200

### TORQUE VALUES ( in Nm with safety coefficient of 30 % included ) at 10 Bars :

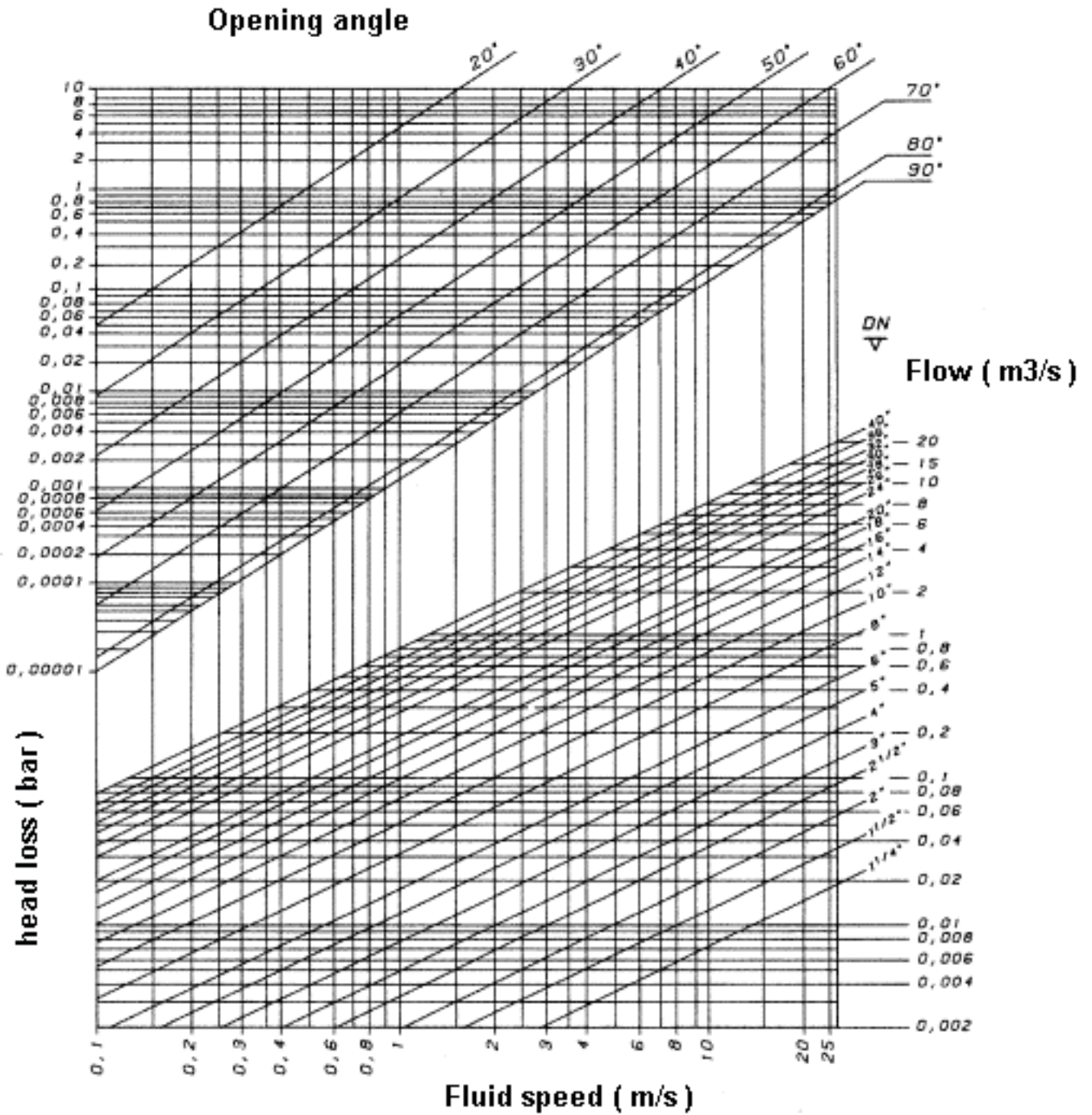
DN	40	50	65	80	100	125	150	200
Torque ( Nm )	9	11	20	29	47	82	130	210

### FLOW COEFFICIENT Kv ( m3 / h ) :

DN	40	50	65	80	100	125	150	200
Kv ( m3/h )	70	109	200	334	551	901	1427	2383

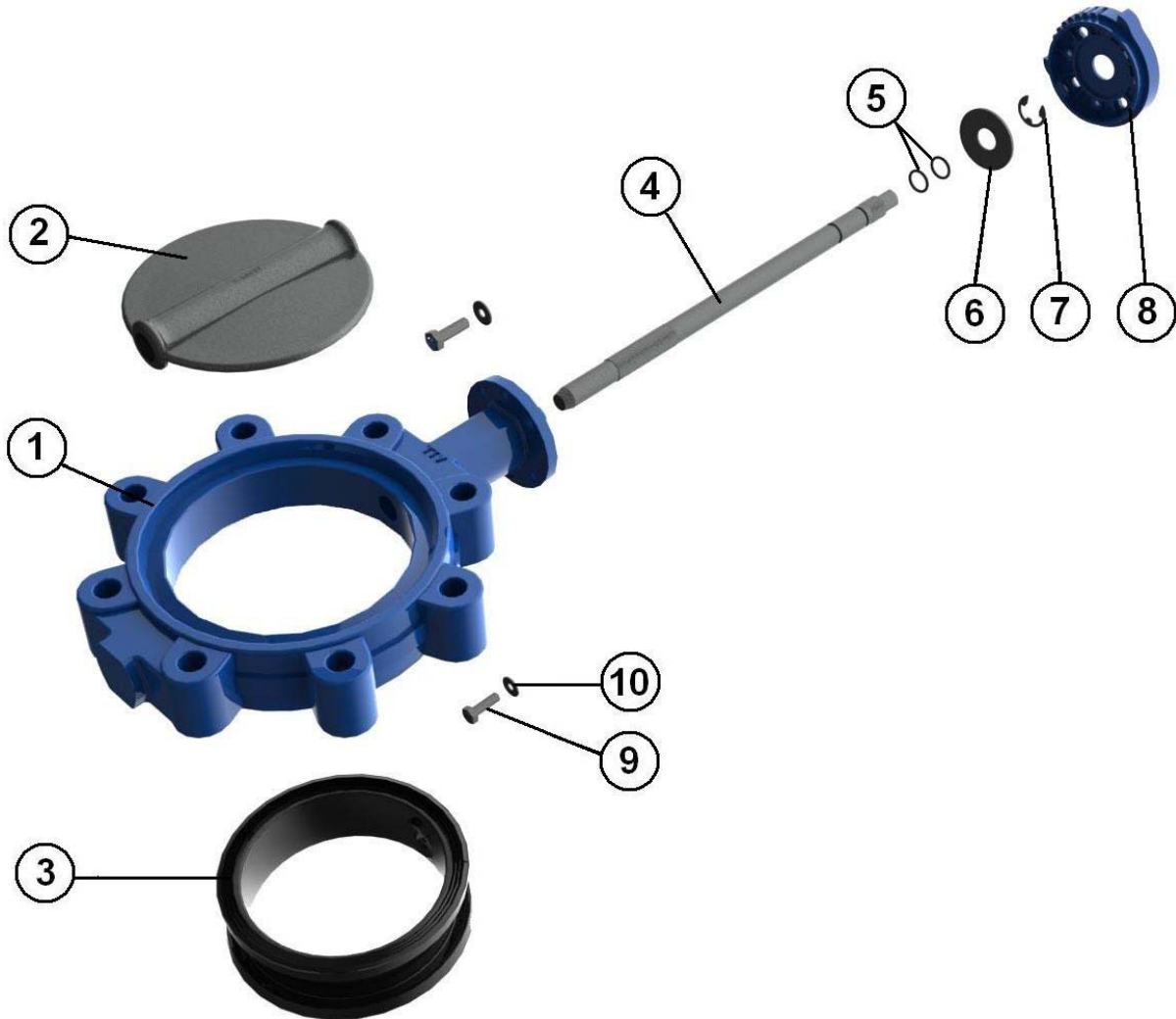
**LUG GAS BUTTERFLY VALVE NF ROBGAZ**

HEAD LOSS GRAPH :



**LUG GAS BUTTERFLY VALVE NF ROBGAZ**

MATERIALS DN 40 - 200 :

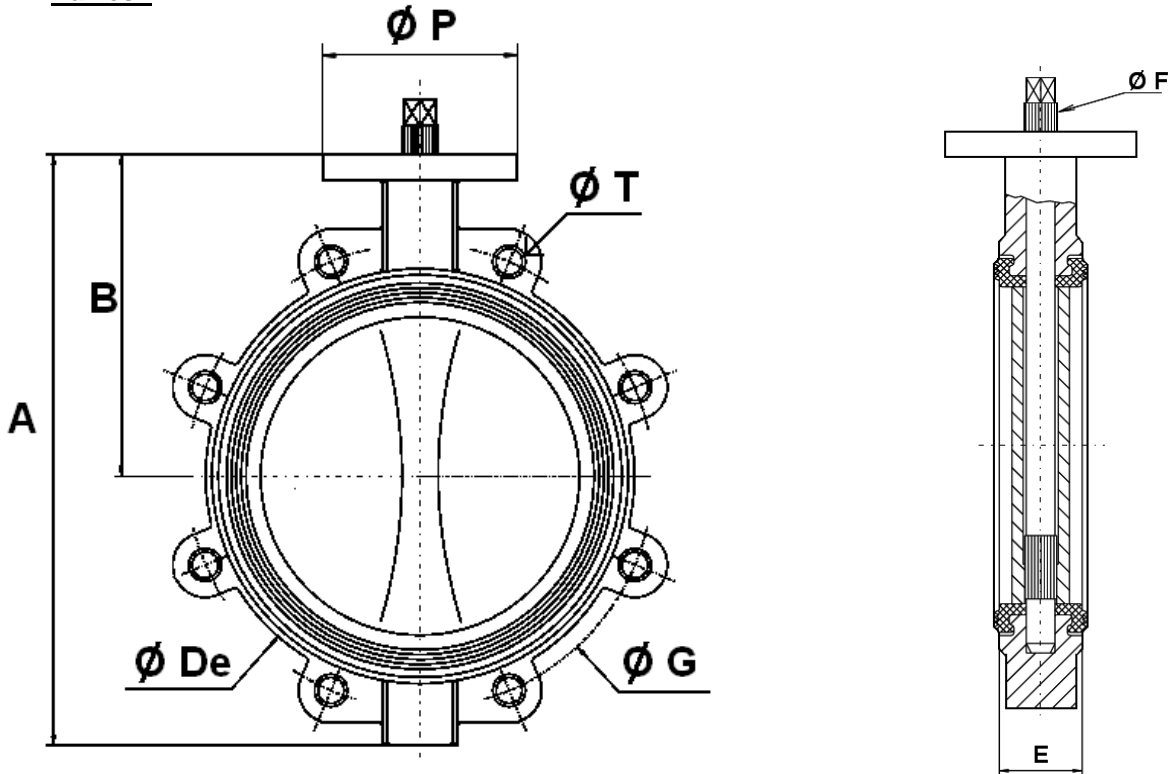


Item	Designation	Materials
1	Body	Cast iron EN GJS-500-7
2	Disc DN40-100	SS 316
2	Disc DN125-200	Chromed cast iron EN GJS 500-7
3	Elastic ring	NBR for Gas
4	Stem	SS 420
5	O ring	NBR
6	Ring	Steel
7	Circlips	Steel
8	Plate	Aluminium
9	Plate screw	5.6
10	Washer	Steel
	Lever	Aluminium

**LUG GAS BUTTERFLY VALVE NF ROBGAZ**

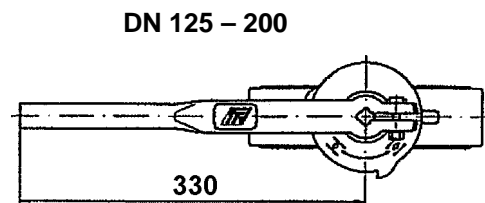
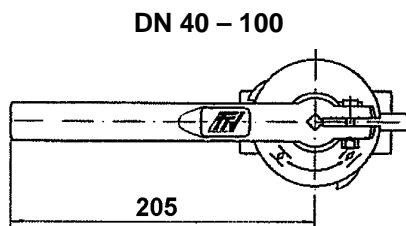
SIZE GN10 ( in mm ) :

• Valves :



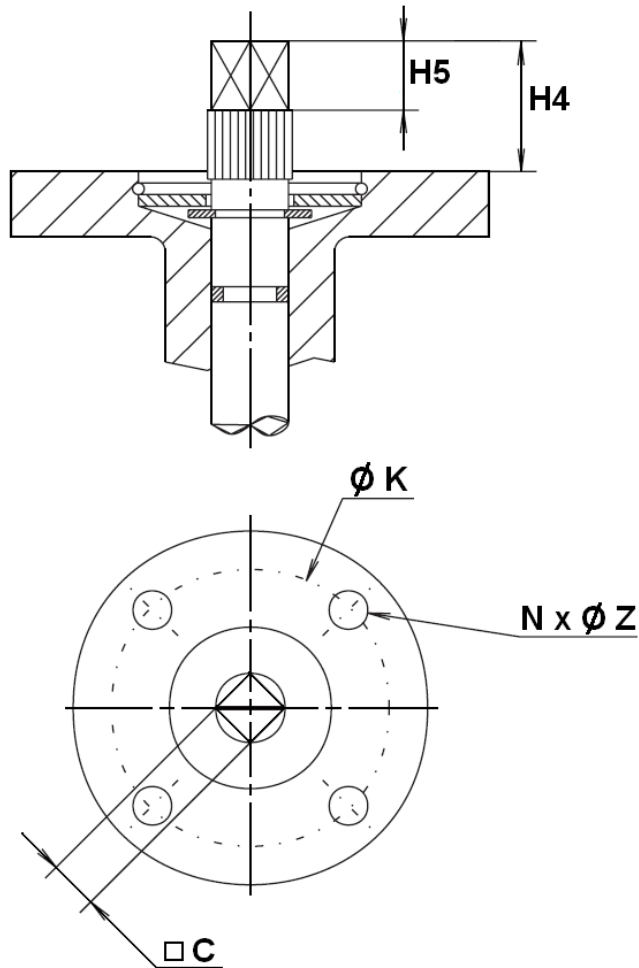
DN	40	50	65	80	100	125	150	200
A	205	224	241	256	294	327	354	438
B	140	154	160	172	185	204	214	256
Ø De	83	102	115	136	157	192	220	275
E	33	43	46	46	52	56	56	60
Ø F	10.5	10.5	14.5	16.5	16.5	18.5	18.5	22.5
Ø G	110	125	145	160	180	210	240	295
Ø P	88	88	88	88	88	105	105	105
Ø T	4xM16	4xM16	4xM16	8xM16	8xM16	8xM16	8xM20	8xM20
Weight (Kg)	2.7	3.96	4.31	5.52	6.98	11.4	11.6	18.9

• Levers :



**LUG GAS BUTTERFLY VALVE NF ROBGAZ**

ISO MOUNTING PAD AND STEM SIZE ( in mm ) :



DN	40	50	65	80	100	125	150	200
H4	30	30	30	30	30	30	30	30
H5	17	17	17	17	17	17	17	17
C	8	8	9	11	11	14	14	17
Ø K	70	70	70	70	70	70	70	70
ISO	F07	F07	F07	F07	F07	F07	F07	F07
N x Ø Z	4 x 9	4 x 9	4 x 9	4 x 9	4 x 9	4 x 9	4 x 9	4 x 9

## LUG GAS BUTTERFLY VALVE NF ROBGAZ

### STANDARDS :

- Fabrication according to ISO 9001:2008
- DIRECTIVE 97/23/CE : CE N° 0409  
Risk Category III module B + C1
- Tests according to ISO 5208, rate A
- Between ISO PN10/16 flanges according to EN 1092-1
- ISO 5211 mounting pad
- Length according to ISO 5752 short series 20, BS 5155 Wafer short/medium, DIN 3202 part 3, series K1
- ATEX Group II Category 2 G/2D Zone 1 & 21 Zone 2 & 22 ( optional marking )
- **Certificate NF ROBGAZ N° ROB 064-R3 according to NF EN 13774 & NF EN 549**

**ADVICE :** Our opinion and our advice are not guaranteed and SFERACO shall not be liable for the consequences of damages. The customer must check the right choice of the products with the real service conditions.

## INSTALLATION INSTRUCTIONS

### GENERAL GUIDELINES :

- Ensure that the valves to be used are appropriate for the conditions of the installation (type of fluid, pressure and temperature).
- Be sure to have enough valves to be able to isolate the sections of piping as well as the appropriate equipment for maintenance and repair.
- Ensure that the valves to be installed are of correct strength to be able to support the capacity of their usage.
- **Installation of all circuits should ensure that their function can be automatically tested on a regular basis (at least two times a year).**

### INSTALLATION INSTRUCTIONS :

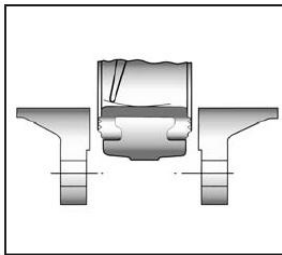
- **Before installing the valves, clean and remove any objects from the pipes** (in particular bits of sealing and metal) which could obstruct and block the valves.
- **Ensure that both connecting pipes either side of the valve (upstream and downstream) are aligned (if they're not, the valves may not work correctly).**
- **Make sure that the two sections of the pipe (upstream and downstream) match, the valve unit will not absorb any gaps. Any distortions in the pipes may affect the tightness of the connection, the working of the valve and can even cause a rupture.** To be sure, place the kit in position to ensure the assembling will work.



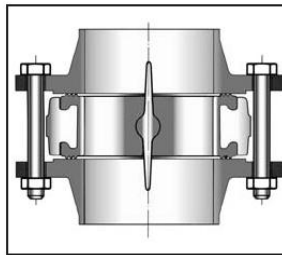
## LUG GAS BUTTERFLY VALVE NF ROBGAZ

### INSTALLATION INSTRUCTIONS ( SUITE ):

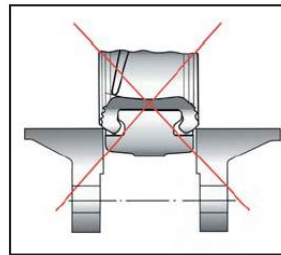
- If sections of piping do not have their final support in place, they should be temporarily fixed. This is to avoid unnecessary strain on the valve.
- The valve must be inserted between flanges with disc half opened but the disc must not overpass the valve thickness. Position the bolts to keep centered the valve. Then open fully the valve and tighten the bolts. See graph under.



Half open valve introduction



Complete opened disc valves  
when screw tightening



- Tighten the bolts in cross.
- The disc must move easily inside the pipe.
- Valves must be opened during cleaning operation.
- Tests must be done with a cleaned pipe.
- Tests must be done with opened valve. Test pressure must not be higher than the valve specification according to ISO 5208.
- Then open slowly the valve.
- **Do not mount butterfly valves with stainless steel pressed collars and turning flanges without strias.**
- **And not on flat face flanges without strias ( example : painted cast iron fittings )**

### MAINTENANCE :

- We recommend to operate fully the valve 1 to 2 times per year.
- During maintenance operation, ensure that the pipe isn't under pressure, that there's no fluid in the pipe and that the valve is isolated. If there's a fluid in the pipe , evacuate it. Ensure that there are no risks due to the temperature or the fluid ( like acids ). If the fluid is corrosive , inert the installation before maintenance operation.