

**LUG BUTTERFLY VALVE PN10/16**



ISO 9001  
BUREAU VERITAS  
Certification



CE

**Size :** DN 40 to DN 600  
**Ends :** Between flanges ISO PN10/16  
**Min Temperature :** -10°C  
**Max Temperature :** + 110°C ( 130°C C temporarily)  
**Max Pressure :** 16 Bars up to DN300, 10 bars over  
**Specifications :** Long neck for isolation  
Ductile iron disc nickered coated  
EPDM vulcanized seat

**Materials :** Cast iron body

## LUG BUTTERFLY VALVE PN10/16

### SPECIFICATIONS :

- Long neck for isolation
- ISO 5211 mounting pad
- Lug type
- Between flanges ISO PN10/16 from DN 40 to DN 300, ISO PN10 over
- Full crossing stem up to DN600
- 10 positions cranted lever, with locking device
- Double PTFE gasket on stem up to DN600
- Ductile iron disc nicketed coated ( 20-30 microns thickness )
- Epoxy painting RAL003 80 microns thickness
- EPDM vulcanized elastic ring

### USE :

- Cold and hot water
- Min and max Temperature Ts : - 10°C to + 110°C ( 130°C temporarily )
- Max Pressure PN : 16 bars up to DN300, 10 bars over
- For temporary using, can be used at the end of the pipe ( 6 bars maxi )

### FLOW COEFFICIENT Kv ( M3 / h ) :

DN	40	50	65	80	100	125	150	200	250	300	350	400	450	500	600	
Opening angle	10°	0,04	0,05	0,09	0,17	0,26	0,43	0,68	1,7	2,6	3,4	5,1	6,8	9,4	11,9	18,8
	20°	2	3	5	8	15	25	38	76	129	200	288	396	525	675	1042
	30°	5	6	10	15	31	52	81	160	273	422	610	839	1101	1428	2207
	40°	10	13	21	33	67	113	175	348	592	914	1321	1817	2407	3095	4781
	50°	18	23	38	60	119	202	312	620	1055	1630	2355	3239	4289	5515	8521
	60°	30	38	64	99	196	334	516	1025	1746	2697	3897	5359	7097	9125	14098
	70°	48	60	102	156	310	529	817	1623	2764	4269	6167	8481	11232	14442	22312
	80°	72	90	152	235	466	793	1226	2434	4145	6403	9250	12720	16848	21662	33468
	90°	78	98	167	258	512	872	1347	2675	4555	7037	10165	13799	18514	23805	36778

### TORQUE VALUES ( Nm, without safety coefficient ) :

We recommend a safety coefficient of 30% minimum to determinate the actuator.

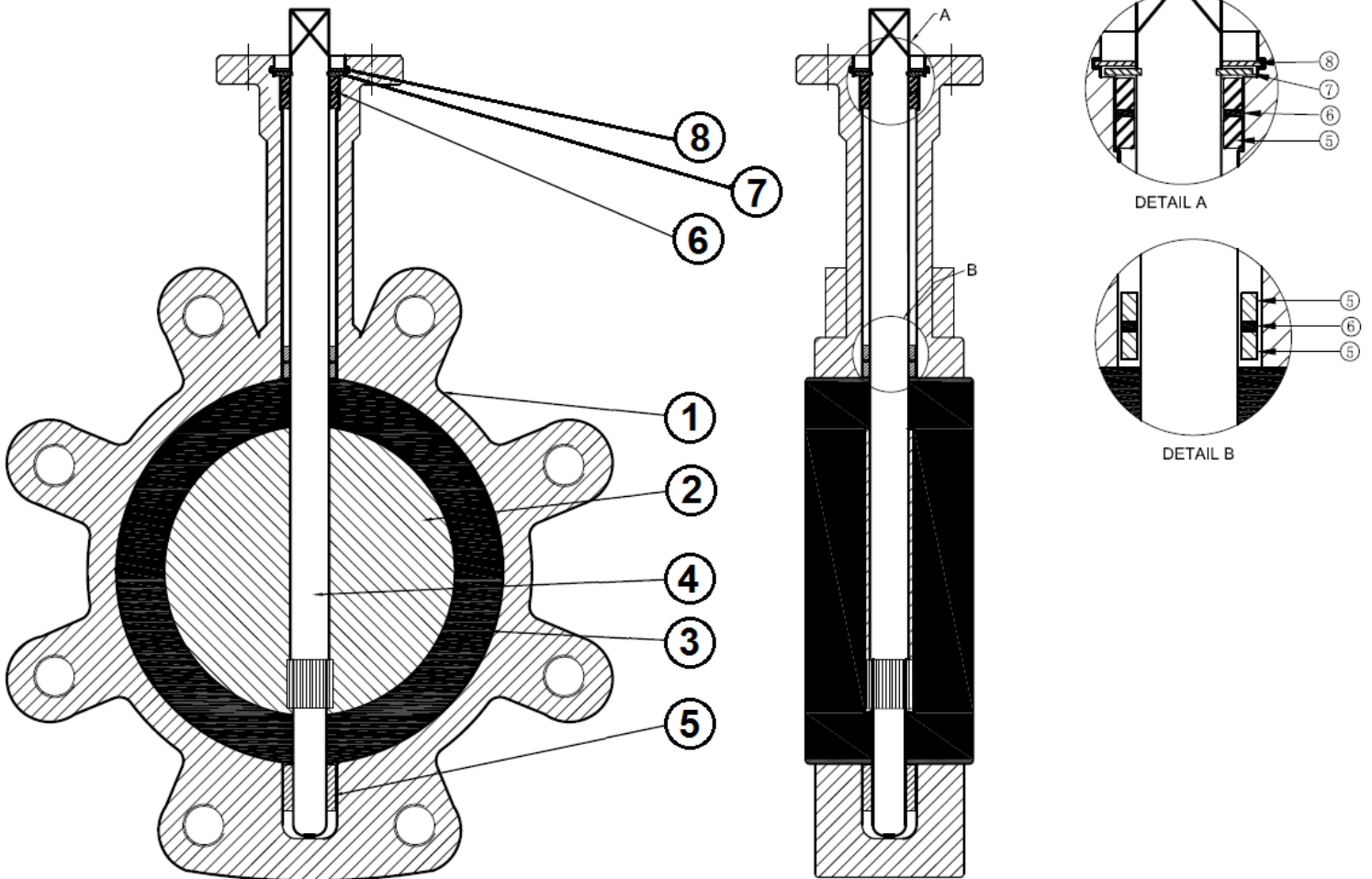
DN	40	50	65	80	100	125	150	200	250	300	350	400	450	500	600
PN10	11	15	24	31	48	73	106	177	281	410	475	746	1112	1356	2468
PN16	12	16	26	33	53	81	119	194	308	441	-	-	-	-	-

### RANGE :

- With lever from DN40 to DN300
- With gearbox from DN350 to DN600
- Gearbox possible from DN40 to DN300 **Ref.1198**

**LUG BUTTERFLY VALVE PN10/16**

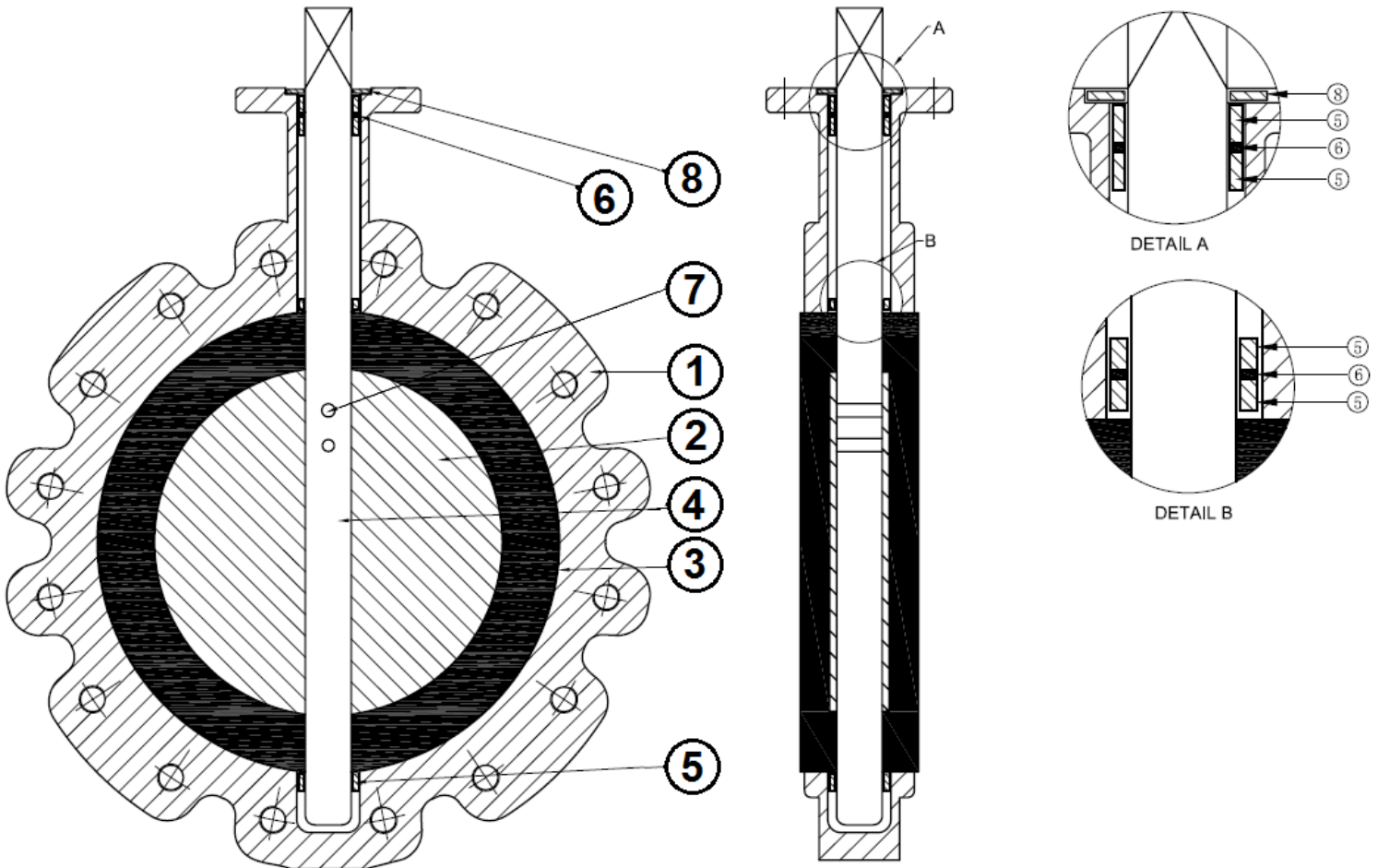
MATERIALS DN 40 – 300 :



Item	Designation	Materials
1	Body	Cast iron EN GJL-250
2	Disc	Ductile iron EN GJS-400-15 nickeled coated
3	Elastic ring	EPDM
4	Stem	SS 416
5	Bearing	PTFE
6	O ring	EPDM
7	Circlip	Steel
8	Circlip	Steel
	Lever	Aluminium

**LUG BUTTERFLY VALVE PN10/16**

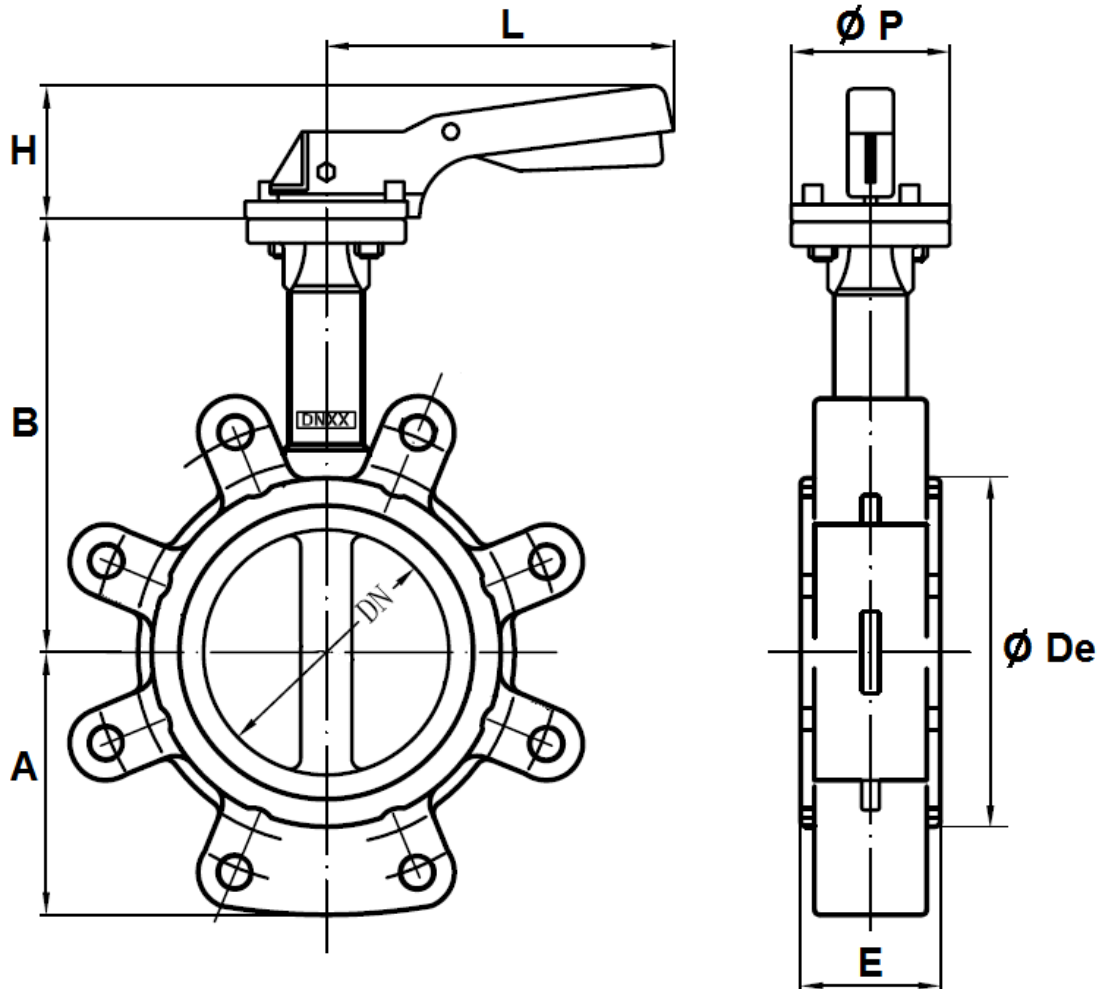
MATERIALS DN 350 – 600 :



Item	Designation	Materials
1	Body	Cast iron EN GJL-250
2	Disc	Ductile iron EN GJS-400-15 nickeled coated
3	Elastic ring	EPDM
4	Stem	SS 431
5	Bearing	PTFE
6	O ring	EPDM
7	Pin	SS 316
8	Gasket	EPDM

**LUG BUTTERFLY VALVE PN10/16**

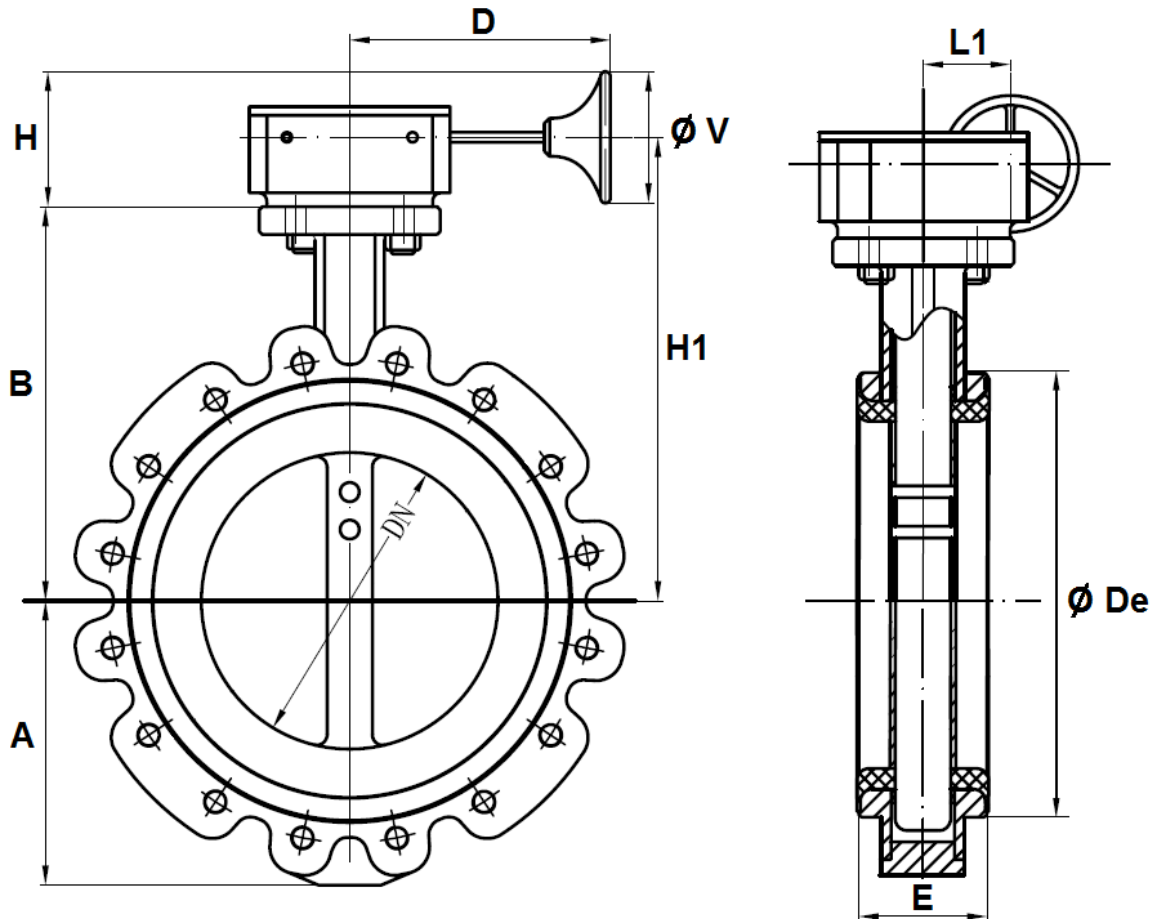
VALVES WITH LEVER SIZE DN 40 – 300 ( in mm ) :



Ref.	DN	40	50	65	80	100	125	150	200	250	300
1135	A	61	77	88	95	107	122	144	171	205	235
	B	130	137	142	158	180	192	215	242	280	310
	Ø De	82	95	109	127	152	180	207	260	315	370
	E	33	43	46	46	52	56	56	60	68	78
	H	70	70	70	70	70	71	71	40	44	44
	L	195	195	195	195	195	278	278	355	507	507
	Ø P	65	65	65	65	65	90	90	125	150	150
	Weig. (Kg)	2.43	3.13	3.73	4.98	5.64	9.06	10.96	16.67	31.4	42

**LUG BUTTERFLY VALVE PN10/16**

VALVES WITH GEARBOX SIZE DN 350 - 600 ( in mm ) :

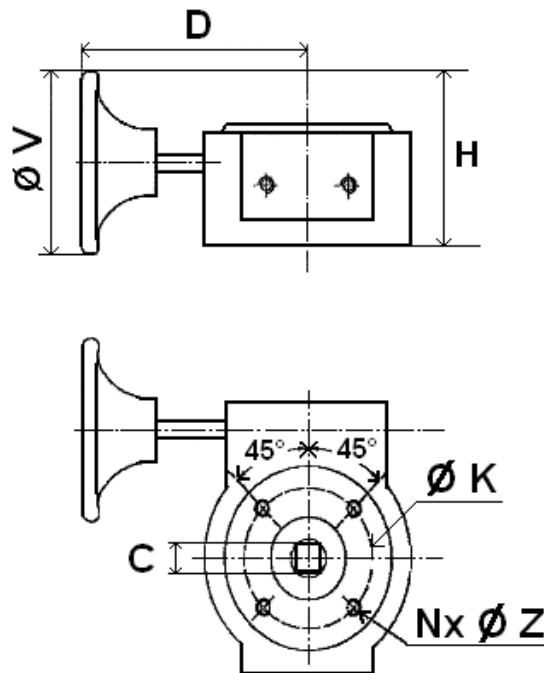


Ref.	DN	350	400	450	500	600
1135	A	266	324	341	374	478
	B	367	394	419	474	565
	D	223	270	270	339	339
	Ø De	418	470	525	570	697
	E	78	102	114	127	154
	H	190	208	258	222	222
	H1	412	456	481	539	630
	L1	78	120	120	120	120
	Ø V	300	400	400	300	300
	Weig. ( Kg )	75.9	115.5	147	202.8	309.8

**LUG BUTTERFLY VALVE PN10/16**

GEARBOX SIZE ( in mm ):

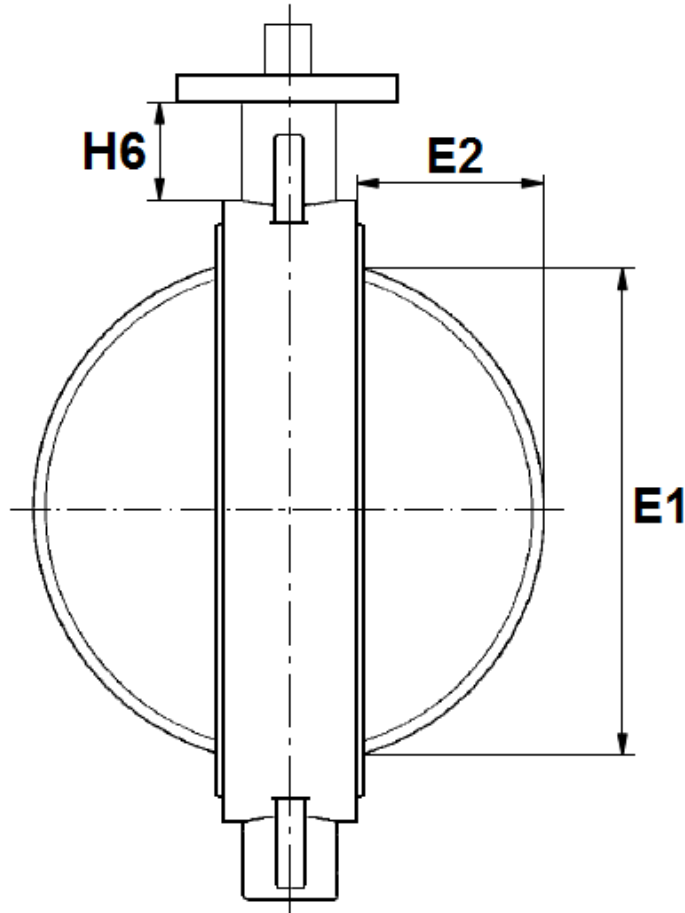
- GEARBOX DN 40 - 300 :



Ref.	DN	40/80	100	125/150	200	250	300
1198	C	9	11	14	17	22	27
	Ø K	50	50	70	102	125	125
	Nx ØZ	4 x 6	4 x 6	4 x 8	4 x 10	4 x 12	4 x 12
	D	156	156	156	241	223	223
	H	116	116	168	193	190	190
	Ø V	150	150	250	300	300	300
	Weig. (kg)	3.51	4.22	3.53	6.99	7.42	9.6

**LUG BUTTERFLY VALVE PN10/16**

DISC AND NECK SIZE ( in mm ) :

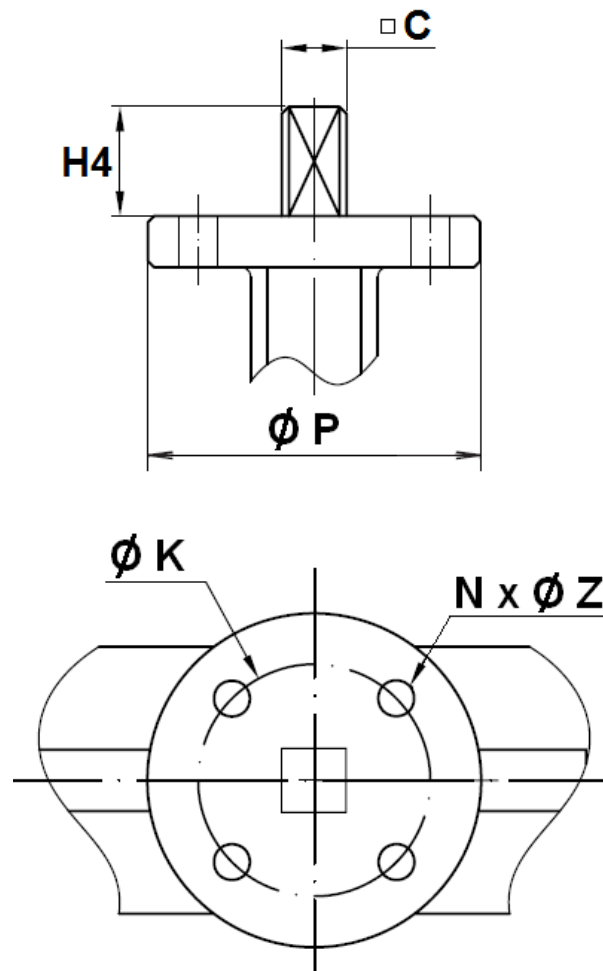


DN	40	50	65	80	100	125	150	200	250	300	350	400	450	500	600
E1 ±1	22.8	26	41.2	61.1	88	109.2	144	192.3	240	290.5	323.4	375	424.5	473.7	570.9
E2 ±2	4.9	5	9.4	16.5	26.1	33.9	49.7	71.2	91.2	111.8	127.8	143.9	163.3	182.3	219.3
H6 ±2	77.5	81.6	78.5	86.8	90.5	91	102.5	100	107	111	139.8	135	134	161	193



**LUG BUTTERFLY VALVE PN10/16**

ISO 5211 MOUNTING PAD ( in mm ):



DN	40	50	65	80	100	125	150	200	250	300	350	400	450	500	600
C	9	9	9	9	11	14	14	17	22	27	27	27	30	36	46
Ø K	50	50	50	50	50	70	70	102	125	125	125	125	165	165	165
ISO	F05	F05	F05	F05	F05	F07	F07	F10	F12	F12	F12	F12	F16	F16	F16
Nx ØZ	4 x 7	4 x 7	4 x 7	4 x 7	4 x 7	4 x 9	4 x 9	4 x 11	4 x 13	4 x 13	4 x 14	4 x 14	4 x 22	4 x 22	4 x 22
H4	32	32	32	32	32	42	42	36	38	38	45	50	50	65	70
Ø P	65	65	65	65	65	90	90	125	150	150	150	150	210	210	300

## LUG BUTTERFLY VALVE PN10/16

### STANDARDS :

- Fabrication according to ISO 9001 :2008
- DIRECTIVE 97/23/CE : CE N° 0035  
Risk category I-III module H
- Tests according to API 598
- Length according to ISO 5752 series 20, EN 558-1 series 20 ( NF 29305 )
- ISO 5211 mounting pad
- Between flanges according to EN 1092-1

**ADVICE :** Our opinion and our advice are not guaranteed and SFERACO shall not be liable for the consequences of damages. The customer must check the right choice of the products with the real service conditions.

## INSTALLATION INSTRUCTIONS

### GENERAL GUIDELINES :

- Ensure that the valves to be used are appropriate for the conditions of the installation (type of fluid, pressure and temperature).
- Be sure to have enough valves to be able to isolate the sections of piping as well as the appropriate equipment for maintenance and repair.
- Ensure that the valves to be installed are of correct strength to be able to support the capacity of their usage.
- **Installation of all circuits should ensure that their function can be automatically tested on a regular basis (at least two times a year).**

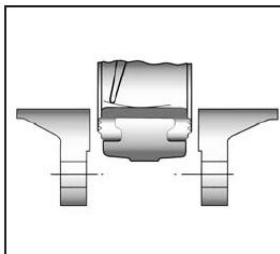
### INSTALLATION INSTRUCTIONS :

- **Before installing the valves, clean and remove any objects from the pipes** (in particular bits of sealing and metal) which could obstruct and block the valves.
- **Ensure that both connecting pipes either side of the valve (upstream and downstream) are aligned (if they're not, the valves may not work correctly).**

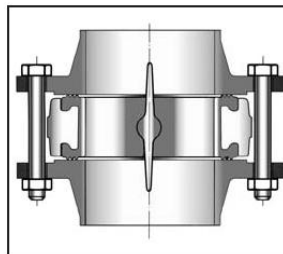
## LUG BUTTERFLY VALVE PN10/16

### INSTALLATION INSTRUCTIONS ( SUITE ) :

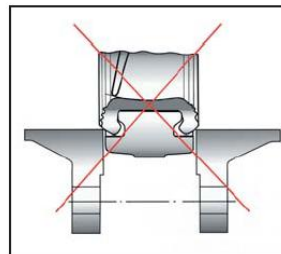
- **Make sure that the two sections of the pipe (upstream and downstream) match, the valve unit will not absorb any gaps. Any distortions in the pipes may affect the tightness of the connection, the working of the valve and can even cause a rupture. To be sure, place the kit in position to ensure the assembling will work.**
- **If sections of piping do not have their final support in place, they should be temporarily fixed. This is to avoid unnecessary strain on the valve.**
- The valve must be inserted between flanges with disc half opened but the disc must not overpass the valve thickness. Position the bolts to keep centered the valve. Then open fully the valve and tighten the bolts. **See graph under.**



Half open valve introduction



Complete opened disc valves when screw tightening



- Tighten the bolts in cross.
- The disc must move easily inside the pipe.
- Valves must be opened during cleaning operation.
- Tests must be done with a cleaned pipe.
- Tests must be done with opened valve. Test pressure must not be higher than the valve specification according to EN 12266-1.
- Then open slowly the valve.
- **Do not mount butterfly valves with stainless steel pressed collars and turning flanges without strias.**
- **And not on flat face flanges without strias ( example : painted cast iron fittings )**

### MAINTENANCE :

- We recommend to operate fully the valve 1 to 2 times per year.
- During maintenance operation, ensure that the pipe isn't under pressure, that there's no fluid in the pipe and that the valve is isolated. If there's a fluid in the pipe, evacuate it. Ensure that there are no risks due to the temperature or the fluid ( like acids ). If the fluid is corrosive, inert the installation before maintenance operation.