

1150-1158 BUTTERFLY VALVES + UV ELECTRIC ACTUATOR

CHARACTERISTICS

The butterfly valves 1150 to 1158 are dedicated to the automatic opening/shut-off of various fluid pipes. It has a ductile iron body. Thanks to various material possibilities for both the butterfly and the sleeve, it can be used in different applications. The wafer type body enables the mounting between PN10/16 or ANSI 150 flanges. The ISO 5211 pad enables the direct mounting of the UV electric actuator. It is perfectly adapted for an indoor or outdoor service (under shelter)



AVAILABLE ITEMS

DN 125 to DN 300

Flanged connections RF PN10/16 and ANSI 150

Voltages: 24 V DC, 24 V AC and 230 V AC

Ref.	Butterfly	Sleeve	Application examples	Min. TS	Max. TS
1141	Ductile iron	NBR	Natural gas –NF-ROB GAZ 5 bar Certification	-10 °C	+60 °C
1147	Stainless steel 316	Carboxylated NBR.	Powdery – abrasive material	-10 °C	+80 °C
1150	Ductile iron	EPDM	Cold water – warm water (max 110 °C) - ACS	-10 °C	+90 °C
1151	Stainless steel 316	NBR	Hydrocarbons, natural gas, compressed air	-10 °C	+80 °C
1152	Ductile iron	NBR	Hydrocarbons, natural gas, compressed air	-10 °C	+80 °C
1153	Stainless steel 316	EPDM	Demineralised water – Alkaline materials (max 110 °C) - ACS	-10 °C	+90 °C
1154	Stainless steel 316	FKM	Compatible aggressive fluids, oil	-5 °C	+150 °C
1156	Stainless steel 316	White NBR	Compatible aggressive fluids	-10 °C	+80 °C
1157	Stainless steel 316	SILICONE	Oils and greases	-15 °C	+150 °C
1157A	Polished Stainless steel	Food grade silicone	Food fluids (FDA certification)	-15 °C	+150 °C
1158	Aluminium bronze	NBR	Sea water	-10 °C	+80 °C

LIMITS OF USE

Max. allowable pressure (PS)	16 bar until DN 200 10 bar until DN 400
Min./max. allowable temperature (TS)	According to the upper chart
Room temperature	-15 °C / +50 °C
Service	S4 - 30% - 10 starts / h



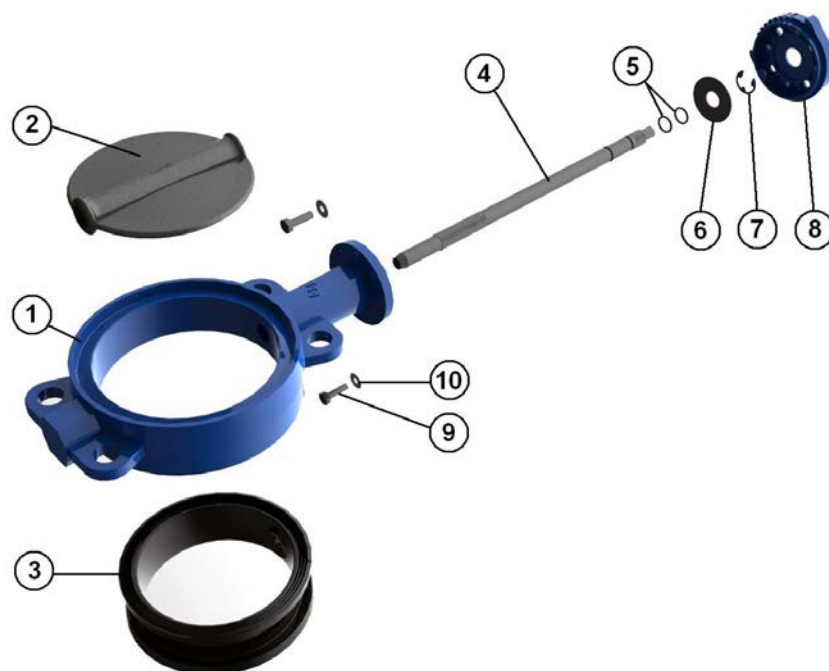
Technical data given for information purpose only. May be subject to alteration without prior notice

	SECTORIEL S.A. 45, rue du Ruisseau 38290 Saint Quentin-Fallavier – FRANCE Tel.: +33 474 94 90 70 – Fax: +33 474 94 13 95 www.sectoriel.fr / email: sectoriel@sectoriel.fr	Nbr. pages	1/4
		Ref.	1150+UV GB
		Rev.	4
		Date	08/2011

1150-1158 BUTTERFLY VALVES + UV ELECTRIC ACTUATOR

DIRECTIVES AND DEVELOPMENT STANDARDS APPLICABLE

	Standard	Notified bodies		Standard
97/23/EC Pressure Equipment Directive	Cat. III modules B+C1	0409	Valve testing	ISO 5208
ATEX Directive	II 2G/D Tx zones 1,2,21 et 22	0038	Face-to-face dimension	ISO 5752 series 20
Flange dimension	EN 1092-1		Sanitary compliance	ACS N° 07 ACC LY 504
Actuator attachment	ISO 5211			



CONSTRUCTION

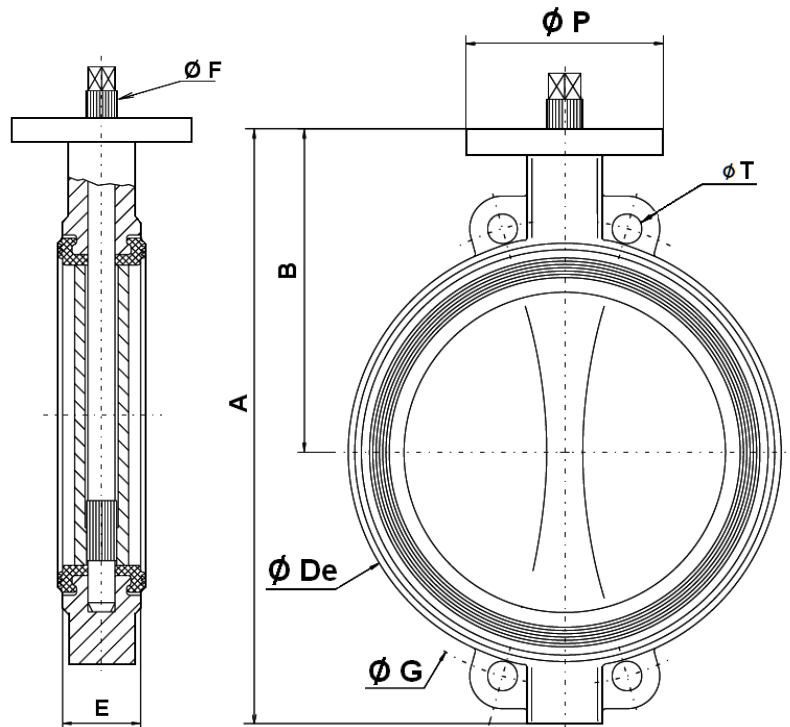
	Item	1147	1150	1151	1152	1153	1154	1156	1157	1158
1	Body	Ductile iron GS EN GJS-500-7								
2	Butterfly DN32-100	Stainless steel A351 CF8M /1.4408								
3	Butterfly DN125-400	Stainless steel	Ductile iron GS EN GJS-500-7			Stainless steel A351 CF8M /1.4408			Aluminium bronze	
3	Sleeve	NBR C.	EPDM	NBR	NBR	EPDM	FKM	White NBR	Silicone	NBR
4	Stem	SS 304	SS 420	SS 304	SS 420	SS 304	SS 304	SS 304	SS 304	SS 304
5	O-ring	NBR	EPDM	NBR	NBR	EPDM	FKM	NBR	EPDM	NBR
6	Ring	Steel								
7	Securing rings / Circlips	Steel								
8	ISO pad	Aluminium								
9	Screw	Steel 5.6								
10	Washer	Steel								

Technical data given for information purpose only. May be subject to alteration without prior notice

	SECTORIEL S.A. 45, rue du Ruisseau 38290 Saint Quentin-Fallavier – FRANCE Tel.: +33 474 94 90 70 – Fax: +33 474 94 13 95 www.sectoriel.fr / email: sectoriel@sectoriel.fr	Nbr. pages	2/4
		Ref.	1150+UV GB
		Rev.	4
		Date	08/2011

1150-1158 BUTTERFLY VALVES + UV ELECTRIC ACTUATOR

DIMENSIONS (mm)



DN	32-40	50	65	80	100	125	150	200	250	300	350	400
A	206	228	243	266	294	324	349	438	461	523	582	645
B	140	156	162	170	185	207	216	256	248	280	300	340
Ø De	82	102	119	135	155	185	208	270	328	381	437	486
E	33	43	46	46	52	56	56	60	68	78	78	102
Ø F	10.5	10.5	14.5	16.5	16.5	18.5	18.5	22.5	25.5	30.5	30.5	35.5
Ø G	110	125	145	160	180	210	240	295	350	400	460	515
Ø P	88	88	88	88	88	105	105	105	150	150	170	170
Ø T	18	18	18	18	18	18	23	23	23	23	23	17
Weight (kg)	2.46	3.66	4.40	4.60	6	7.60	9.20	14.7	24.7	33	39	52

FLOW FACTOR Kv (m³/h)

DN	32-40	50	65	80	100	125	150	200	250	300	350	400
Kv	70	109	200	334	551	901	1427	2383	3825	5659	8177	10659

Technical data given for information purpose only. May be subject to alteration without prior notice

	SECTORIEL S.A. 45, rue du Ruisseau 38290 Saint Quentin-Fallavier – FRANCE Tel.: +33 474 94 90 70 – Fax: +33 474 94 13 95 www.sectoriel.fr / email: sectoriel@sectoriel.fr	Nbr. pages	3/4
		Ref.	1150+UV GB
		Rev.	4
		Date	08/2011

1150-1158 BUTTERFLY VALVES + UV ELECTRIC ACTUATOR

ACTUATION WITH UV

Suggested standard UV actuation under the following conditions:

- Electric actuator with an IP 65 plastic enclosure and steel gears
- A minimum 1.3 safety factor compared with the valve nominal torque rating
- A maximum pressure differential up/downstream of 10 bar ($=\Delta P$)

The actuator is mounted:

- Directly with an aluminium actuation pad for DN 125 and 200
- With stainless steel bracket and coupler according to the EN 15081 standard for DN 250

DN	Actuator	Power	Operating time* 230 V AC	Operating time* 24 V AC/DC	Standard equipment of the actuator
32-100	Refer to 1150 + UM				2 adjustable limit switches 2 dry auxiliary switches Visual position indicator Actuator thermal cut-out Manual override by declutchable handwheel Electric connection: 2 gland packs ½" PF Optional equipment Anti-condensation heater
125	UVC15	25 W	8 s	8 s	
150	UVC15	25 W	8 s	8 s	
200	UVD25	25 W	20 s	20 s	
250	UVF50	40 W	30 s	30 s	
300	UVG60	40 W	30 s	30 s	

*Unloaded operating time given for information purpose only. May vary depending on the medium
For any other working conditions, please contact us.

ACTUATION OPTIONS

There are many different options, please contact our commercial department.

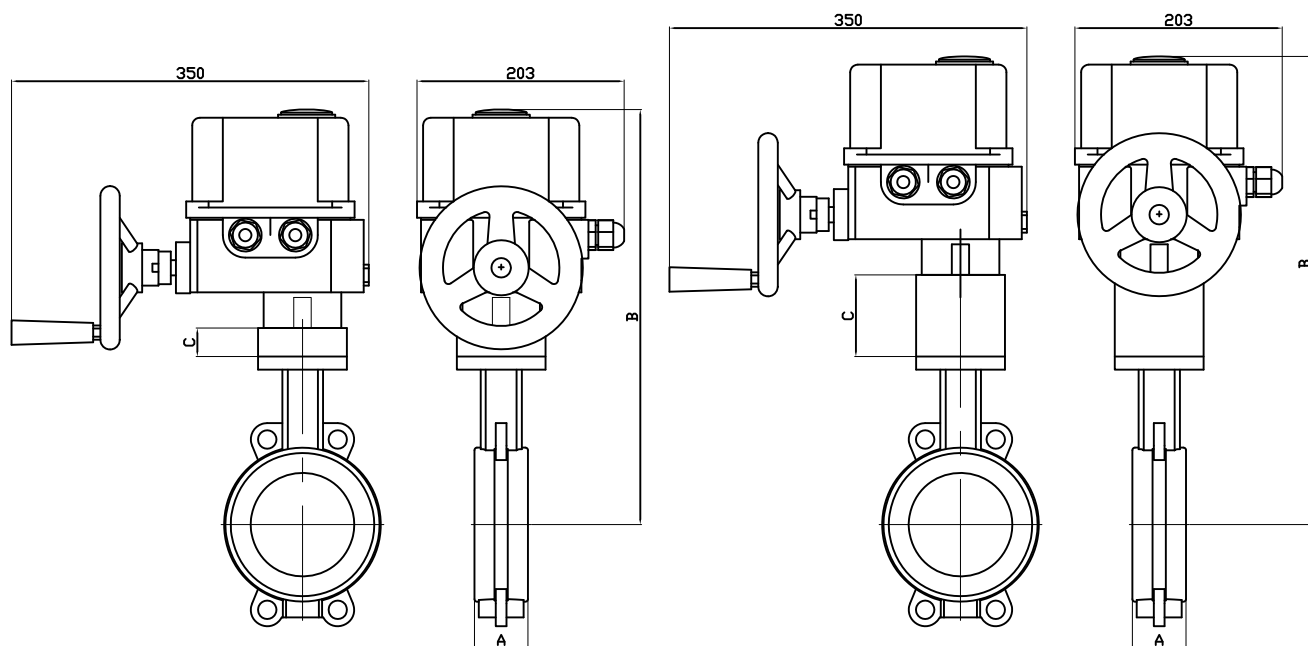
1	Electric actuator sized for a maximum pressure differential up/downstream over 10 bar ($=\Delta P$)
2	Anti-condensation heater

VALVE OPTIONS

1	Carbon steel body, stainless steel 304 and 316, bronze and aluminium
2	Carbon steel butterfly, stainless steel 304 and 316, bronze aluminium, uranus, hastelloy
3	Hypalon seats, steam silicone, white EPDM, natural rubber, vulcanized neoprene
4	Stainless steel 420, 304, 316 stems, hastelloy

Technical data given for information purpose only. May be subject to alteration without prior notice


	SECTORIEL S.A. 45, rue du Ruisseau 38290 Saint Quentin-Fallavier – FRANCE Tel.: +33 474 94 90 70 – Fax: +33 474 94 13 95 www.sectoriel.fr / email: sectoriel@sectoriel.fr	Nbr. pages	4/4
		Ref.	1150+UV GB
		Rev.	4
		Date	08/2011



** : montage avec platine H=80mm

DN	125	150	200	250	300
SERVO	UVC-15	UVC-15	UVD-25	UVF-50	UVG-60
A	56	56	60	68	78
B	435	444	509	600**	632**
C	28	28	28	80	80
KG	14.1	16.8	22	38.8	47.8

Informations données à titre indicatif et sous réserve de modifications éventuelles

			Suppression DN350-DN400	12/09/2011	C	
			Modif titre	08/11/2006	B	
			MAJ	11/04/2006	A	
Ech:	Date :03/05/2005	Dessiné par : F.G.	Tolérances générales : +/- 0.2	Modifications	Date	REV.
ROBINET A PAPILLON 1149-1158 + SERVOMOTEUR UV				Matière :		
				Poids <Kg> :		
 45, Rue du Ruisseau 38297 SAINT QUENTIN FALLAVIER				Traitement : SANS		
				Plan n° Ens 806C		

ELECTRIC ACTUATOR UV

GENERAL CHARACTERISTICS

The UV electric actuators are generally used on ¼ turn valves. The maximum output torque is between 150 Nm and 600 Nm. Its compact construction with an aluminium alloy enclosure and a plastic cover makes it convenient for the actuation of ball valves and butterfly valves. The UV electric actuators are equipped with a manual override activated by handwheel. Protection IP 65: possible use indoor and outdoor under shelter.

AVAILABLE ITEMS

Torque: 150 Nm, 250 Nm, 490 Nm and 600 Nm

Voltage: 230 V AC, 24 V AC and 24 V DC

IP 65



LIMITS OF USE

Protection rating	IP 65
Temperature range	-10 °C / +60 °C
Service	S4 - 30% - 10 starts/h

MECHANICAL CHARACTERISTICS

Gears	Treated steel pinions
Rotation angle	90° +/- 5°
Decutching	N/A
Manual override	Handwheel



Electric actuator	UVC15		UVD25			UVF50	UVG60
Voltage	230 V AC	24 V AC	230 V AC	24 V AC	24 V DC	230 V AC	230 V AC
Torque	150 Nm		250 Nm			490 Nm	600 Nm
Operating time	8 s		20 s			30 s	30 s
ISO 5211 pad	F07		F07/F10			F10/F12	F10/F12
Star drive nut	17		22			27	27

ELECTRICAL CHARACTERISTICS

Motor protection	Thermal cut-out	Anti-condensation	Optional, 2 W heater
Limit switch	2 adjustable switches	Electrical connection	2 gland packs. ½" PF
Auxiliary switch	2 adjustable dry switches, cutting capacity: 3 A @ 230 V AC / 0.3 A @ 250 V DC		

Electric actuator	UVC15		UVD25			UVF50	UVG60
Voltage	230 V AC	24 V AC	230 V AC	24 V AC	24 V DC	230 V AC	230 V AC
Power	25 W	30 W	25 W	30 W	30 W	40 W	60 W
Intensity	0.42 A	0.5 A	0.42 A	0.5 A	0.5 A	0.58 A	0.66 A

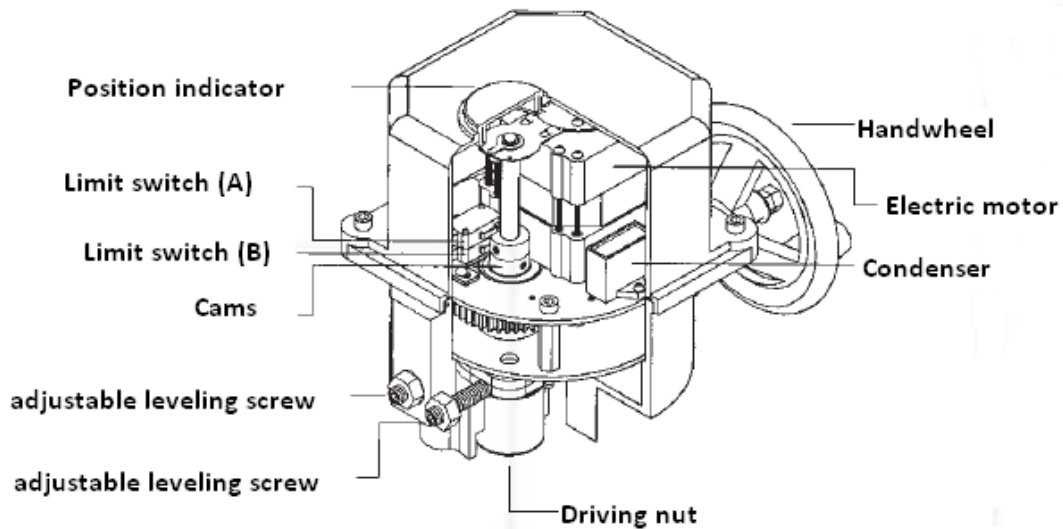
The following data is for information purpose only and may be subject to alteration without prior notice

	SECTORIEL S.A. 45, rue du Ruisseau 38290 Saint Quentin-Fallavier – FRANCE Tel.: +33 474 94 90 70 – Fax: +33 474 94 13 95 www.sectoriel.fr / email: sectoriel@sectoriel.fr	Pages	1/3
		Ref.	FT2233 GB
		Rev.	5
		Date	03/2012

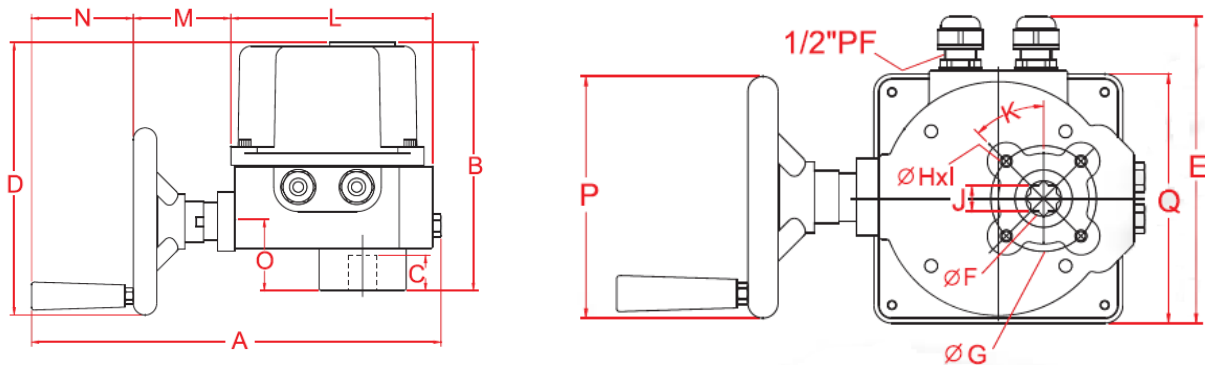
ELECTRIC ACTUATOR UV

CONSTRUCTION

Enclosure	Aluminium alloy	Cams	Treated steel
Cover	PA66 plastic	Drive nut	Steel
Worm gear	Treated steel	Position indicator	Plexiglas®
Handwheel	Steel		




DIMENSIONS (mm)



Dimension	A	B	C	D	E	G	J	L	M	N	O	P	Q
UVC15	350	215	30	236	203	70	17	173	84	87	59	160	165
UVD25	350	240*	30	235	203	102	22	173	84	87	85	160	165
UVF50	350	272	34	260	203	125	27	173	84	87	92	200	165
UVG60	350	272	34	260	203	125	27	173	84	87	92	200	165

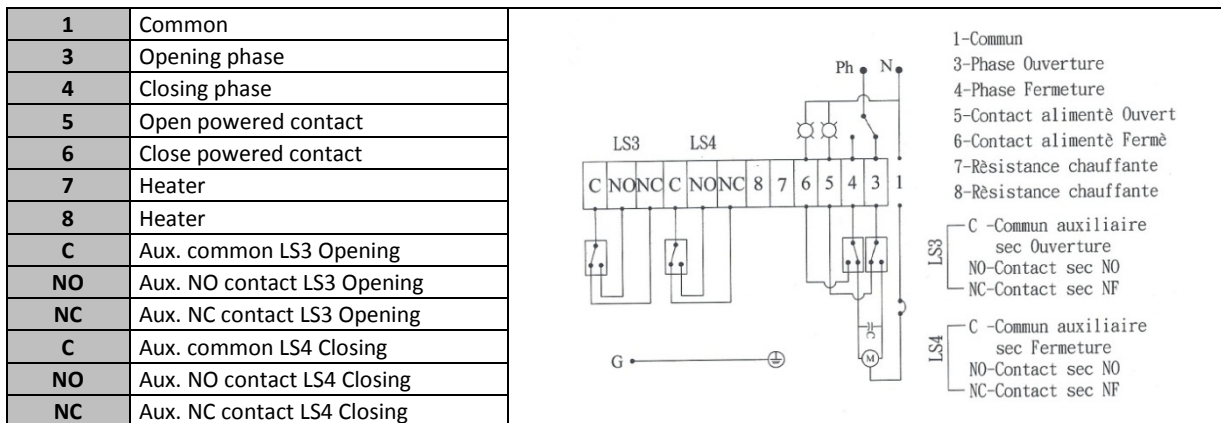
* This dimension is 266 mm for the 24 V AC/DC version.

The following data is for information purpose only and may be subject to alteration without prior notice

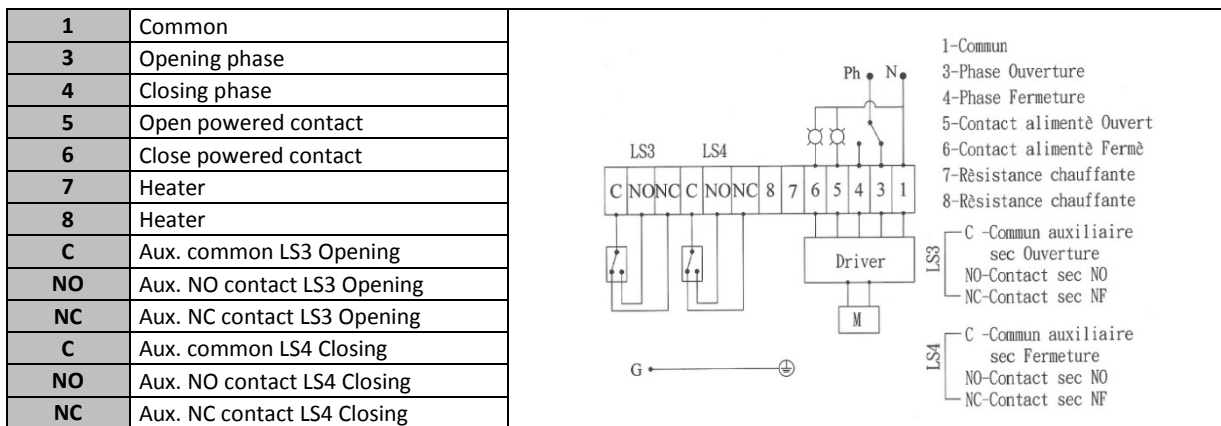
	SECTORIEL S.A. 45, rue du Ruisseau 38290 Saint Quentin-Fallavier – FRANCE Tel.: +33 474 94 90 70 – Fax: +33 474 94 13 95 www.sectorel.fr / email: sectorel@sectorel.fr	Pages	2/3
		Ref.	FT2233 GB
		Rev.	5
		Date	03/2012

ELECTRIC ACTUATOR UV

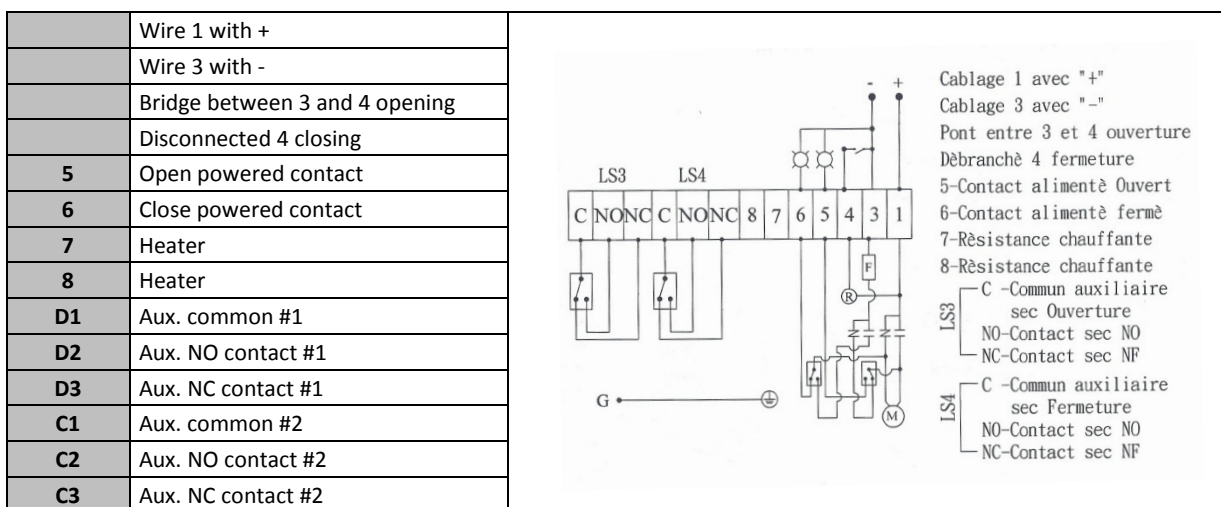
WIRING SCHEME 230 V AC




WIRING SCHEME 24 V AC



WIRING SCHEME 24 V DC



The following data is for information purpose only and may be subject to alteration without prior notice

	SECTORIEL S.A. 45, rue du Ruisseau 38290 Saint Quentin-Fallavier – FRANCE Tel.: +33 474 94 90 70 – Fax: +33 474 94 13 95 www.sectoriel.fr / email: sectoriel@sectoriel.fr	Pages	3/3
		Ref.	FT2233 GB
		Rev.	5
		Date	03/2012