

WAFER BUTTERFLY VALVE PN10/16



ISO 9001
BUREAU VERITAS
Certification



CE

- Size :** DN 32/40 to DN 300
Ends : Between flanges PN10/16 and ISO PN20 ANSI150
Min Temperature : -10°C
Max Temperature : + 80°C
Max Pressure : 16 Bars
Specifications : Long neck for isolation
Stainless steel disc
NBR vulcanized seat
- Materials :** Cast iron body

WAFER BUTTERFLY VALVE PN10/16

SPECIFICATIONS :

- Long neck for isolation
- ISO 5211 mounting pad
- Wafer type
- Between flanges ISO PN10/16 from DN32 to DN300 and ISO PN20 ANSI150 from DN40 to DN300
- Full crossing stem
- With 10 positions lever and locking device
- Double PTFE gasket on stem
- Stainless steel disc
- Epoxy painting RAL003 80 microns thickness
- Vulcanized NBR elastic ring

USE :

- No aromatic hydrocarbon, fuel, water, natural gas, grease, oil, compressed air, glycol
- Min and max Temperature Ts : - 10°C to + 80°C
- Max Pressure PN : 16 bars

FLOW COEFFICIENT Kv (M3 / h) :

DN	32/40	50	65	80	100	125	150	200	250	300	
Opening angle	10°	0,04	0,05	0,09	0,17	0,26	0,43	0,68	1,7	2,6	3,4
	20°	2	3	5	8	15	25	38	76	129	200
	30°	5	6	10	15	31	52	81	160	273	422
	40°	10	13	21	33	67	113	175	348	592	914
	50°	18	23	38	60	119	202	312	620	1055	1630
	60°	30	38	64	99	196	334	516	1025	1746	2697
	70°	48	60	102	156	310	529	817	1623	2764	4269
	80°	72	90	152	235	466	793	1226	2434	4145	6403
	90°	78	98	167	258	512	872	1347	2675	4555	7037

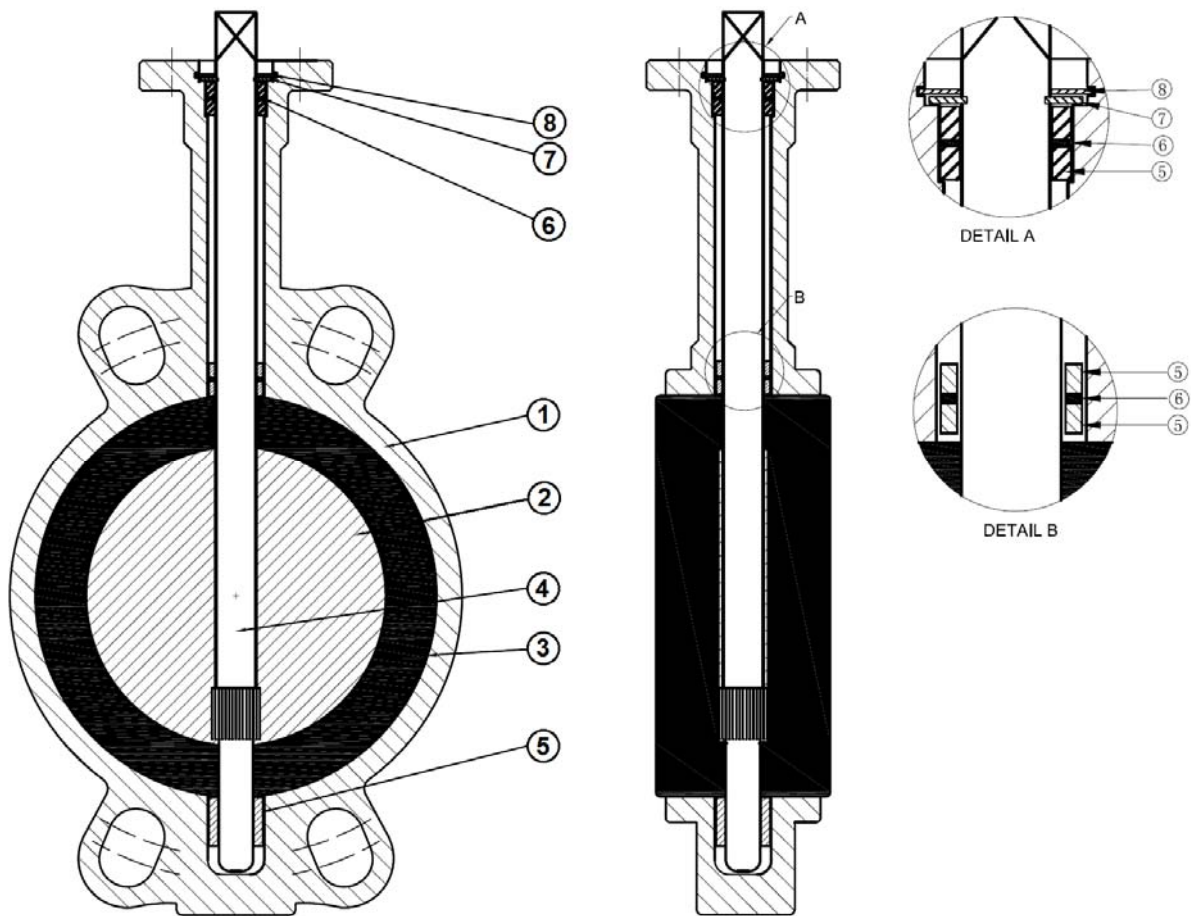
TORQUE VALUE (Nm, without safety coefficient) :

We recommend a safety coefficient of 30% minimum to determinate the actuator.

DN	32/40	50	65	80	100	125	150	200	250	300
PN10	11	15	24	31	48	73	106	177	281	410
PN16	12	16	26	33	53	81	119	194	308	441

WAFER BUTTERFLY VALVE PN10/16
RANGE :

- With lever from DN32/40 to DN300
- Gear box possible (**Ref.1198**) from DN32/40 to DN300

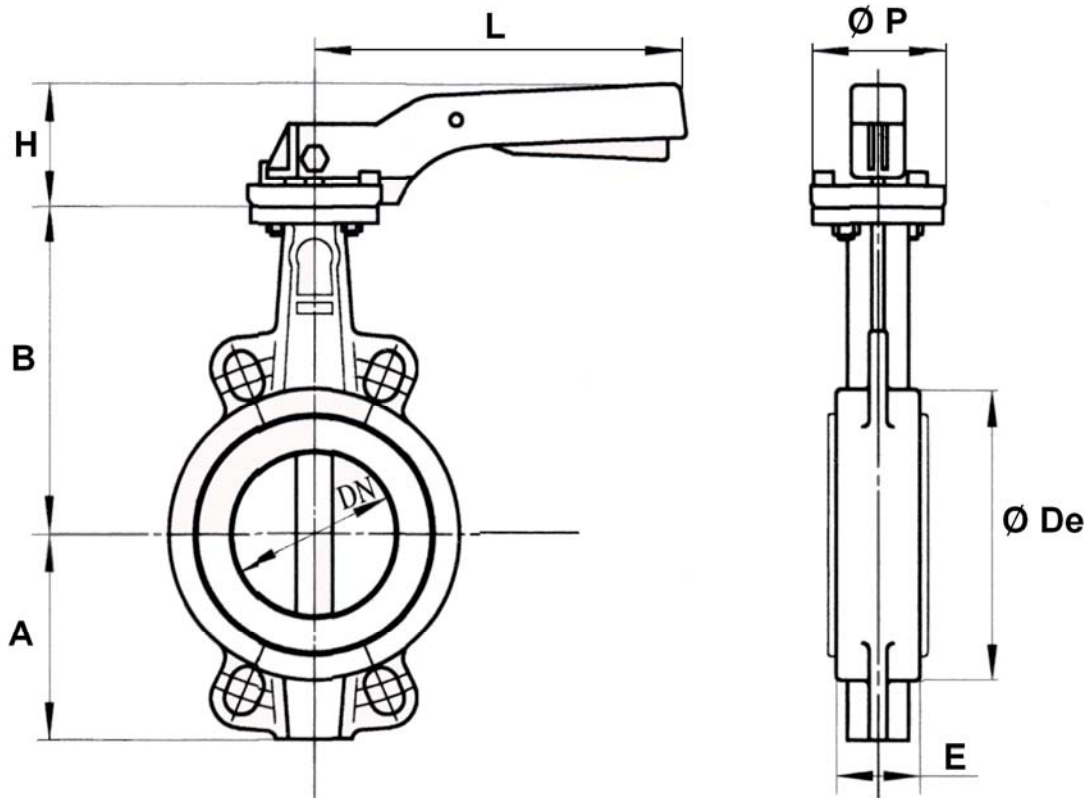
MATERIALS :


Item	Designation	Materials
1	Body	Cast iron EN GJL-250
2	Disc	ASTM A351 CF8M
3	Elastic ring	NBR
4	Stem	SS 416
5	Bearing	PTFE
6	O ring	NBR
7	Circlip	Steel
8	Circlip	Steel
	Lever	Aluminium

WAFER BUTTERFLY VALVE PN10/16

VALVES SIZE (in mm) :

- VALVES WITH LEVER DN 32/40 - 300 :

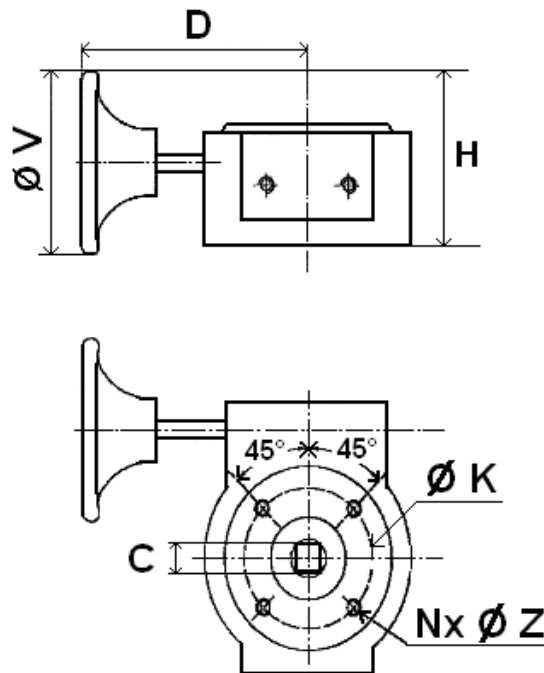


Ref.	DN	32/40	50	65	80	100	125	150	200	250	300
1121	A	61	77	87,5	95	107	121,5	144	171	205	235
	B	130	136,5	142	158	180	192	215	242	280	310
	Ø De	82	95	109	127	152	180	207	260	315	370
	E	33	43	46	46	52	56	56	60	68	78
	H	70	70	70	70	70	71	71	40	44	44
	L	195	195	195	195	195	278	278	355	507	507
	Ø P	65	65	65	65	65	90	90	125	150	150
	Weig. (Kg)	1.85	2.53	2.86	3.16	4.21	6.67	7.66	14.67	23.4	33.8

WAFER BUTTERFLY VALVE PN10/16

GEAR BOX SIZE (in mm):

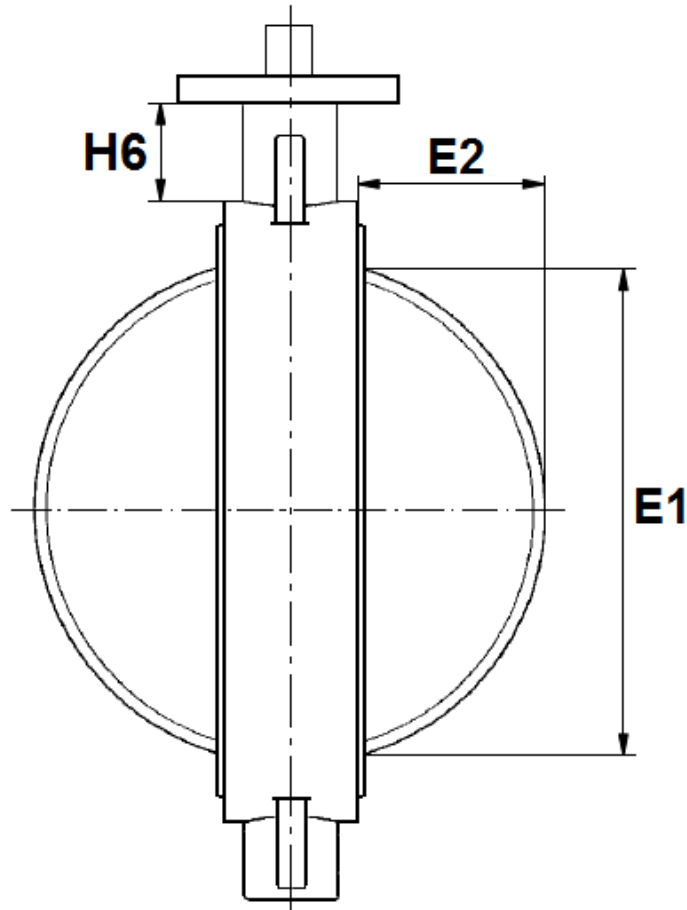
- GEAR BOX DN 32/40 - 300 :



Ref.	DN	32/80	100	125/150	200	250	300
1198	C	9	11	14	17	22	27
	Ø K	50	50	70	102	125	125
	Nx ØZ	4 x 6	4 x 6	4 x 8	4 x 10	4 x 12	4 x 12
	D	156	156	156	241	223	223
	H	116	116	168	193	190	190
	Ø V	150	150	250	300	300	300
	Weig. (kg)	3.51	4.22	3.53	6.99	7.42	9.6

WAFER BUTTERFLY VALVE PN10/16

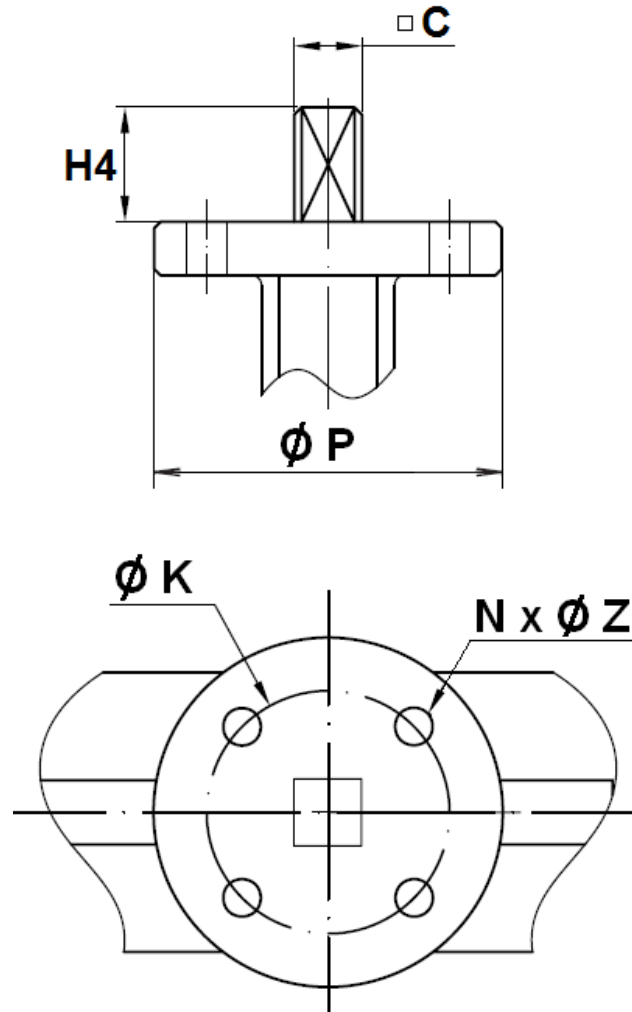
DISC AND NECK SIZE (in mm) :



DN	32/40	50	65	80	100	125	150	200	250	300
E1 ±1	22.8	26	41.2	61.1	88	109.2	144	192.3	240	290.5
E2 ±2	4.9	5	9.4	16.5	26.1	33.9	49.7	71.2	91.2	111.8
H6 ±2	76.7	79	79	87.5	92.3	90.3	99.2	99.5	103.8	105.8

WAFER BUTTERFLY VALVE PN10/16

ISO MOUNTING PAD SIZE (in mm):



DN	32/40	50	65	80	100	125	150	200	250	300
C	9	9	9	9	11	14	14	17	22	27
ϕK	50	50	50	50	50	70	70	102	125	125
ISO	F05	F05	F05	F05	F05	F07	F07	F10	F12	F12
$N \times \phi Z$	4 x 7	4 x 7	4 x 7	4 x 7	4 x 7	4 x 9	4 x 9	4 x 11	4 x 13	4 x 13
H4	32	32	32	32	32	42	42	36	38	38
ϕP	65	65	65	65	65	90	90	125	150	150

WAFER BUTTERFLY VALVE PN10/16

STANDARDS :

- Fabrication according to ISO 9001 :2008
- DIRECTIVE 97/23/CE : CE N° 0035
Risk category I-III module H
- Tests according to API 598
- Length according to ISO 5752 series 20, EN 558-1 series 20 (NF 29305)
- ISO 5211 mounting pad
- Between flanges according to EN 1092-1

ADVICE : Our opinion and our advice are not guaranteed and SFERACO shall not be liable for the consequences of damages. The customer must check the right choice of the products with the real service conditions.

INSTALLATION INSTRUCTIONS

GENERAL GUIDELINES :

- Ensure that the valves to be used are appropriate for the conditions of the installation (type of fluid, pressure and temperature).
- Be sure to have enough valves to be able to isolate the sections of piping as well as the appropriate equipment for maintenance and repair.
- Ensure that the valves to be installed are of correct strength to be able to support the capacity of their usage.
- **Installation of all circuits should ensure that their function can be automatically tested on a regular basis (at least two times a year).**

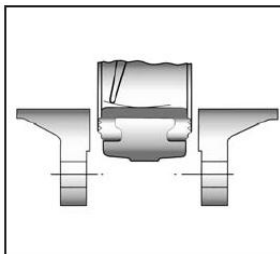
INSTALLATION INSTRUCTIONS :

- **Before installing the valves, clean and remove any objects from the pipes** (in particular bits of sealing and metal) which could obstruct and block the valves.
- **Ensure that both connecting pipes either side of the valve (upstream and downstream) are aligned (if they're not, the valves may not work correctly).**

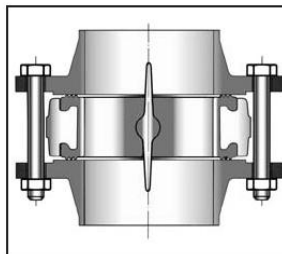
WAFER BUTTERFLY VALVE PN10/16

INSTALLATION INSTRUCTIONS (SUITE) :

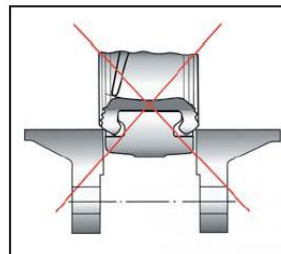
- **Make sure that the two sections of the pipe (upstream and downstream) match, the valve unit will not absorb any gaps. Any distortions in the pipes may affect the tightness of the connection, the working of the valve and can even cause a rupture. To be sure, place the kit in position to ensure the assembling will work.**
- **If sections of piping do not have their final support in place, they should be temporarily fixed. This is to avoid unnecessary strain on the valve.**
- The valve must be inserted between flanges with disc half opened but the disc must not overpass the valve thickness. Position the bolts to keep centered the valve. Then open fully the valve and tighten the bolts. **See graph under.**



Half open valve introduction



Complete opened disc valves when screw tightening



- Tighten the bolts in cross.
- The disc must move easily inside the pipe.
- Valves must be opened during cleaning operation.
- Tests must be done with a cleaned pipe.
- Tests must be done with opened valve. Test pressure must not be higher than the valve specification according to EN 12266-1.
- Then open slowly the valve.
- **Do not mount butterfly valves with stainless steel pressed collars and turning flanges without strias.**
- **And not on flat face flanges without strias (example : painted cast iron fittings)**

MAINTENANCE :

- We recommend to operate fully the valve 1 to 2 times per year.
- During maintenance operation, ensure that the pipe isn't under pressure, that there's no fluid in the pipe and that the valve is isolated. If there's a fluid in the pipe, evacuate it. Ensure that there are no risks due to the temperature or the fluid (like acids). If the fluid is corrosive, inert the installation before maintenance operation.