

# 1123-25 Butterfly valve with UMA-3,5 electric actuator

## MAIN CHARACTERISTICS

The 1123-1125 wafer butterfly valves are dedicated to the electric shut-off of lines of standard fluids. Long neck for pipe insulation. Double tightness at the stem thought rings in PTFE. The ISO flange allows an easy actuation. The UMA 3,5 actuator is a compact electric actuator with numerous functions.

## AVAILABLE MODELS

Sizes from DN 40 to DN 300, body cast iron, EPDM liner.

1123 : butterfly in stainless steel

1125 : butterfly in SG iron

Connections wafer type for PN10/16/ ANSI 150 flanges.

UMA 3,5 voltages 24V AC/DC, 230V AC

Short operating time : 10 s

Long operating time : 40 s

## CLASSIFICATION FOLLOWING PED 97/23

Homologation CE 0409 : Category III

## LIMITS OF USE

PS : DN40 to DN 150 : 16 bar at 20°C

PS : DN 150 and upper : 10 bar at 20°C

TS : 110°C

## OPTIONS

Heating resistancy

60 Hz frequency

## OVERALL DIMENSIONS

To know the overall dimensions of the 1123-25+ UMA 3,5 actuator, please consult the technical drawing n° n°778, on page 3 of this document.



## ACTUATOR TYPE UMA-3,5

See our technical data sheet on page 4 of this document.

## MOTORIZATION WITH U RANGE

The actuators are sized for following condition:

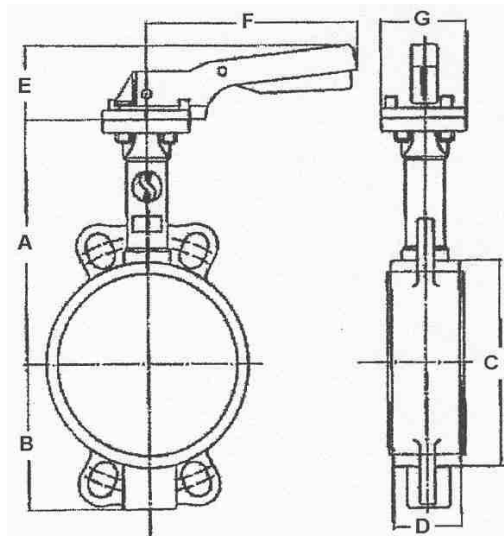
Max. pressure differential up/downstream : 10 bar.

Size	Actuator
40	UMA-3,5
50	UMA-3,5
65	UMA-3,5
80	UMA-3,5 / UVB-5
100	UVB-5 / UMC-10 / UVC-15
125	UVB-5 / UMC-10 / UVC-15
150	UMC-10 / UVC-15 / UVD-25
200	UMC-10 / UVC-15 / UVD-25
250	UVF-50
300	UVF-50

For every other operating conditions, please consult.

Modifications reserved

# 1123-25 Butterfly valve with UMA-3,5 electric actuator



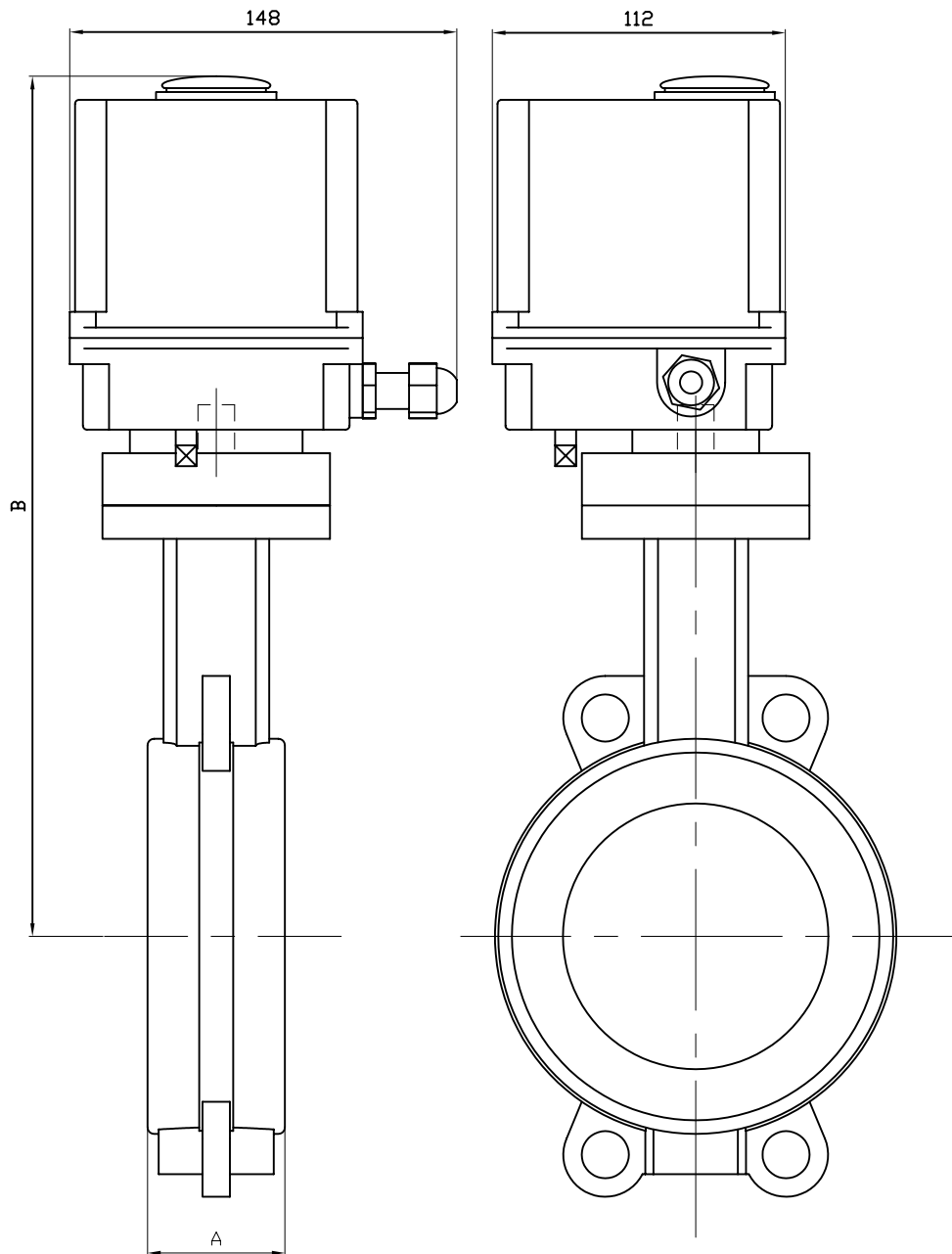
## DIMENSIONS (mm)

Size	40	50	65	80	100	125	150	200	250	300
A	130	136.5	142	158	180	192	215	242	280	310
B	61	77	87.5	95	107	121.5	144	171	205	235
ØC	82	95	109	127	152	180	207	260	315	370
D	33	43	46	46	52	56	56	60	68	78
E	74	74	74	74	74	79	79	37	37	37
F	200	200	200	200	200	278	278	355	507	507
ØG	65	65	65	65	65	90	90	125	150	150
Axe	9	9	9	9	11	14	14	17	22	27
Iso	F05	F05	F05	F05	F05	F07	F07	F10	F12	F12
Weight (Kg)	2.15	2.65	3.05	3.9	4.5	7	7.9	14.5	22.75	31.75

## CONSTRUCTION


Item	Material 1123	Material 1125
Body	Cast iron EN G.JL 250	
Stem	SS AISI 416	
Disc	EN-GJS-400-15	A 351 CF8M
Liner	EPDM	
Gasket	PTFE	
Lever	Aluminium	

Modifications reserved



DN	1"1/2	2"	2"1/2	3"
A	33	43	46	46
B	294	301	306	322

Informations données à titre indicatif et sous réserve de modifications éventuelles

Ech:	Date :07/05/2004	Dessiné par : F.G.	Tolérances générales : +/- 0.2	Modifications	Date	REV.
Actionneur UMA-3.5 Vanne papillon 1125				Matière :		
				Poids (Kg) :		
 45, Rue du Ruisseau 38297 SAINT QUENTIN FALLAVIER				Traitement : SANS		
				Plan n° Ens 778		

# ELECTRIC ACTUATOR UMA 3,5 UMC 10/15

The electric actuators UMA 3.5 and UMC 10/15 are generally used for actuation ¼ turn valves like ball and butterfly valves.

UMA 3.5 : 35 Nm

UMC 10 : 100 Nm

UMC 15 : 150 Nm

## MECHANICAL CHARACTERISTICS

Enclosure "AA" nylon  
treated carbon steel gears  
Manual device with square shaft of 8mm  
Position indicator on the top  
Mounting pad ISO 5211  
Output with star drive

## ELECTRICAL CHARACTERISTICS

Thermal torque protection  
Electrical connection with PE  
2 adjustable limit switches  
2 adjustable auxiliary switches  
Heating resistance as optional

## SERVICE

30% of the time  
Maximum 10 starts per hour

## LIMITS OF USE

Temperature range: -10°C to +50°C  
Protection: IP65

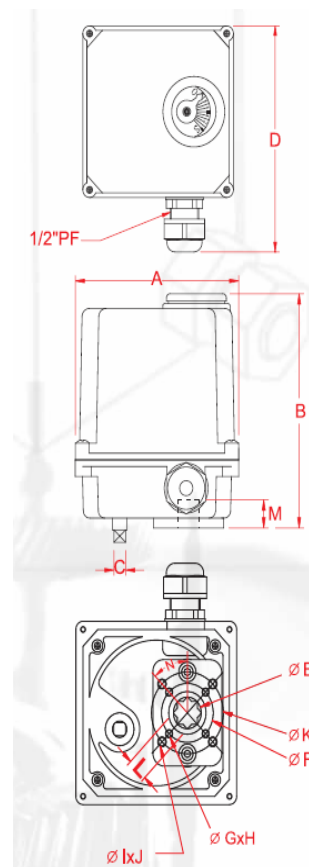
## APPROVALS

ISO 9001-CE  
CSA- UL429

## CONSTRUCTION

Body	Plastic" AA" Nylon 66
Cover	Plastic" AA" Nylon 66
gearbox	Treated Steel gears
Shaft	Chromed steel
Cams	Carbon steel

Data subject to alteration



Réf.: FT  
2206GB

Rev.: 0

Page : 1/3

Date : 10/06

# ELECTRIC ACTUATOR UMA 3,5 UMC 10/15

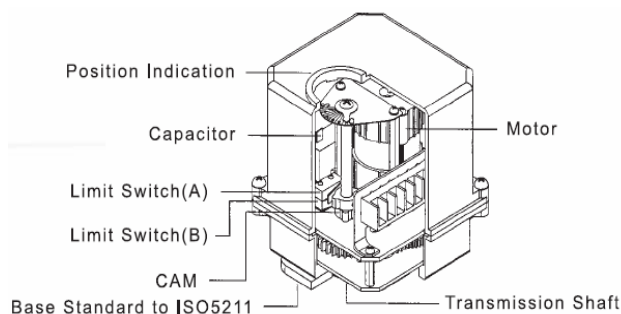
## DIMENSIONS

Dimensions (mm)	A	B	C	D	L	M
UMA 3,5	112	144	8	148	14	18.5
UMC 10 - 15	165	165	8	200	17	17.3

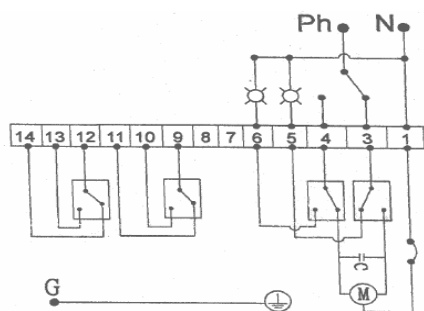
24V Version are 26 mm higher (B+26 mm)

## OTHER CHARACTERISTICS

Actuator	Torque (Nm)	Voltage	Time (s)	Power (W)	ISO	Star (mm)
UMA 3,5	35	230 V ac	10	10	F03 / F05	14
	35	24 V ac	15	10	F03 / F05	14
	35	24 V dc	15	10	F03 / F05	14
UMC 10	100	230 V ac	8	18	F07	17
	150	230 V ac	8	18	F07	17
UMC 15	150	24 V ac	8	25	F07	17
	150	24 V dc	8	25	F07	17



## WIRING



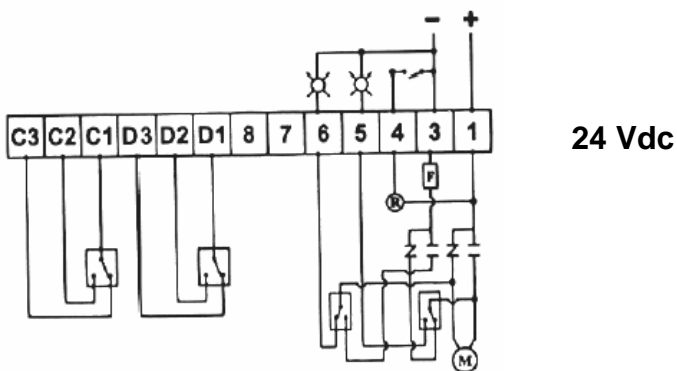
**230 Vac**  
**24 Vac**

1	Common
3	Opening phase
4	Closing phase
5	Open powered contact
6	Close powered contact
7	Heater
8	Heater
9	Auxiliary Common number one
10	NO Auxiliary contact number one
11	NC Auxiliary contact number one
12	Auxiliary Common number two
13	NO Auxiliary contact number two
14	NC Auxiliary contact number two

Data subject to alteration

# ELECTRIC ACTUATOR UMA 3,5 UMC 10/15

sometimes, 9, 10, 11, 12, 13 and 14 may be respectively called D1, D2, D3, C1, C2, C3.



24 Vdc

## OPTIONS



	Wire 1 with +
	Wire 3 with -
	Bridge between 3 and 4 Opening
	Without bridge Closing
5	Open powered contact
6	Close powered contact
7	Heater
8	Heater
D1	Auxiliary Common number one
D2	NO Auxiliary contact number one
D3	NC Auxiliary contact number one
C1	Auxiliary Common number two
C2	NO Auxiliary contact number two
C3	NC Auxiliary contact number two

## ADJUSTMENT OF THE LIMIT SWITCHES

1. The cams are fixed on the main shaft
2. Clockwise rotation = valve will close: the contact stops the motor
3. Counterclockwise rotation = valve will open: the contact stops the motor

Data subject to alteration