

1121-1125 BUTTERFLY VALVES + UM ELECTRIC ACTUATOR

CHARACTERISTICS

The butterfly valves 1121 to 1125 are dedicated to the automatic opening/shut-off of common fluid pipes. It has a cast iron body. Thanks to various material possibilities for both the butterfly and the sleeve, it can be used in different applications. The wafer type body enables the mounting between PN10/16 or ANSI 150 flanges. The ISO 5211 pad enables the direct mounting of the UM electric actuator. It is perfectly adapted for an indoor or outdoor service (under shelter).



AVAILABLE ITEMS

DN 40 to DN 125

Flanged connections RF PN10/16 and ANSI 150

Voltage 24 V AC, 24 V DC and 230 V AC

Ref.	Butterfly	Sleeve	Application examples	Min. TS	Max. TS
1121	Stainless steel	NBR	Liquid hydrocarbons – compressed air	-10 °C	+90 °C
1123	Stainless steel	EPDM	Demineralised water – Alkaline materials	-10 °C	+110 °C
1125	Ductile iron	EPDM	Cold water – hot water	-10 °C	+110 °C

LIMITS OF USE

Max. allowable pressure (PS)	16 bar until DN 300
Min./max. allowable temperature (TS)	According to the upper chart
Prohibited use	Steam, natural gas
Room temperature	-10 °C / +50 °C
Service	S4 – 30% - 10 starts/h



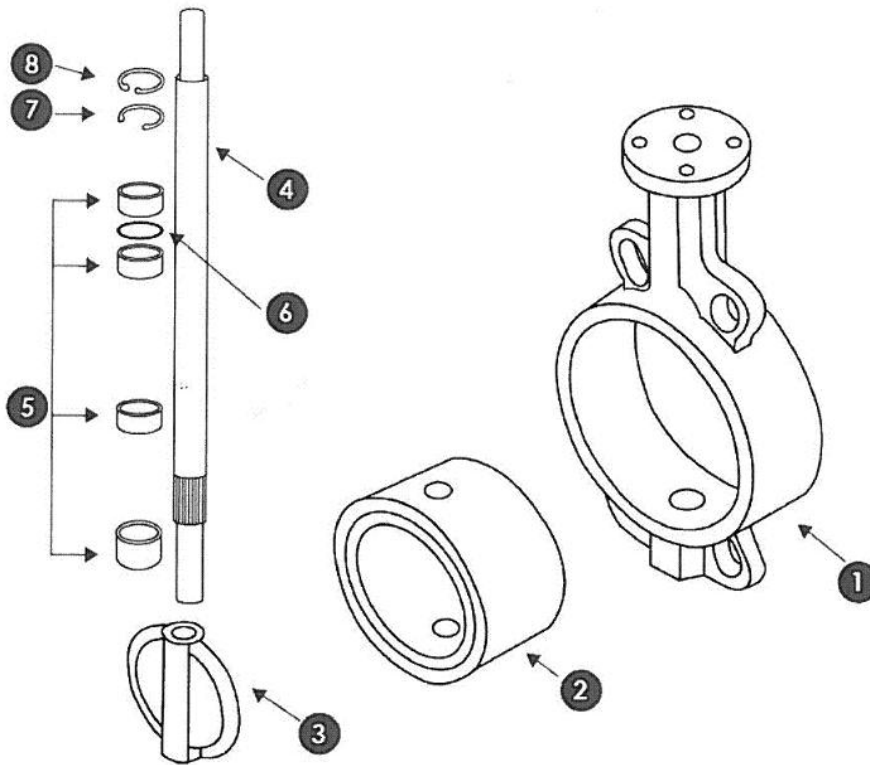
The following data is for information purpose only and may be subject to alteration without prior notice

	SECTORIEL S.A. 45, rue du Ruisseau 38290 Saint Quentin-Fallavier – FRANCE Tel.: +33 474 94 90 70 – Fax: +33 474 94 13 95 www.sectoriel.fr / email: sectoriel@sectoriel.fr	Nbr. pages	1/4
	Ref.	1125+UM GB	
	Rev.	4	
	Date	09/2011	

1121-1125 BUTTERFLY VALVES + UM ELECTRIC ACTUATOR

DIRECTIVES AND DEVELOPMENT STANDARDS APPLICABLE


	Standard	Notified bodies		Standard
97/23/EC Pressure Equipment Directive	Cat. III module H	#0035	Valve testing	API 598
Face-to-face dimension	ISO 5752 series 20		Actuator attachment	ISO 5211
Flange dimension	EN 1092-1			



CONSTRUCTION

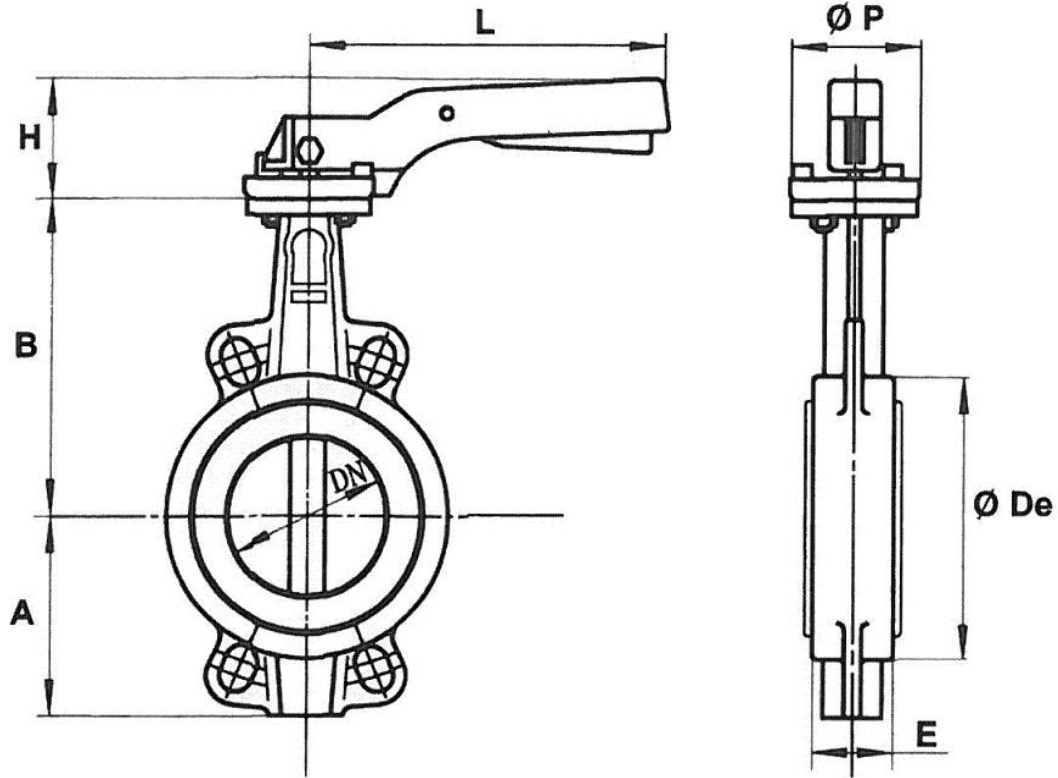
#	Item	1121	1123	1125
1	Body	Cast iron EN GJL-250		
2	Seat	NBR	EPDM	EPDM
3	Butterfly	Stainless steel A351 CF8M	Stainless steel A351 CF8M	Nickel plated ductile iron EN GJS-400-15
4	Stem	Stainless steel 416		
5	Bearings	PTFE		
6	O-ring	NBR	NBR	NBR
7	Security rings	Steel		
8	Security rings	Steel		

The following data is for information purpose only and may be subject to alteration without prior notice

	SECTORIEL S.A.	Nbr. pages	2/4
	45, rue du Ruisseau	Ref.	1125+UM GB
	38290 Saint Quentin-Fallavier – FRANCE	Rev.	4
	Tel.: +33 474 94 90 70 – Fax: +33 474 94 13 95 www.sectoriel.fr / email: sectoriel@sectoriel.fr	Date	09/2011

1121-1125 BUTTERFLY VALVES + UM ELECTRIC ACTUATOR

DIMENSIONS (mm)




DN	40	50	65	80	100	125	150	200	250	300
A	61	77	87.5	95	107	121	144	171	205	235
B	130	136	142	158	180	192	215	242	280	310
Ø De	82	95	109	127	152	180	207	260	315	370
E	33	43	46	46	52	56	56	60	68	78
H	74	74	74	74	74	79	79	37	37	37
L	200	200	200	200	200	278	278	355	507	507
Ø P	65	65	65	65	65	90	90	125	150	150
Weight (kg)	1.8	2.5	2.9	3.2	4.12	6.7	7.8	14.2	23.4	33.8

FLOW FACTOR Kv (m³/h)

DN	40	50	65	80	100	125	150	200	250	300
Kv	78	98	167	258	512	872	1347	2675	4555	7037

The following data is for information purpose only and may be subject to alteration without prior notice

	SECTORIEL S.A. 45, rue du Ruisseau 38290 Saint Quentin-Fallavier – FRANCE Tel.: +33 474 94 90 70 – Fax: +33 474 94 13 95 www.sectoriel.fr / email: sectoriel@sectoriel.fr	Nbr. pages	3/4
		Ref.	1125+UM GB
		Rev.	4
		Date	09/2011

1121-1125 BUTTERFLY VALVES + UM ELECTRIC ACTUATOR

ACTUATION WITH UM

Suggested standard UM actuation under the following conditions:

- Electric actuator with an IP 65 plastic enclosure and steel gears
- A minimum 1.3 safety factor compared with the valve nominal torque rating,
- A maximum pressure differential up/downstream of 10 bar (=ΔP)

Direct mounting of the actuator

DN	Actuator	Power	Operating time* 230 V AC	Operating time* 24 V AC/DC	Standard equipment of the actuator
40	UMA3.5	10 W	10 s	15 s	2 adjustable limit switches +2 dry auxiliary switches Actuator thermal cut-out Manual override by key Visual position indicator Electrical connection: 1 gland pack. ½" PF
50	UMA3.5	10 W	10 s	15 s	
65	UMA3.5	10 W	10 s	15 s	
80	UMA3.5	10 W	10 s	15 s	
100	UMC10	25 W	8 s	N/A	
125	UMC10	25 W	8 s	N/A	
150	Refer to UV actuator				Optional equipment
200					Anti-condensation heater
250					

*Unloaded operating time given for information purpose only. May vary depending on the medium

For any other working conditions, please contact us.

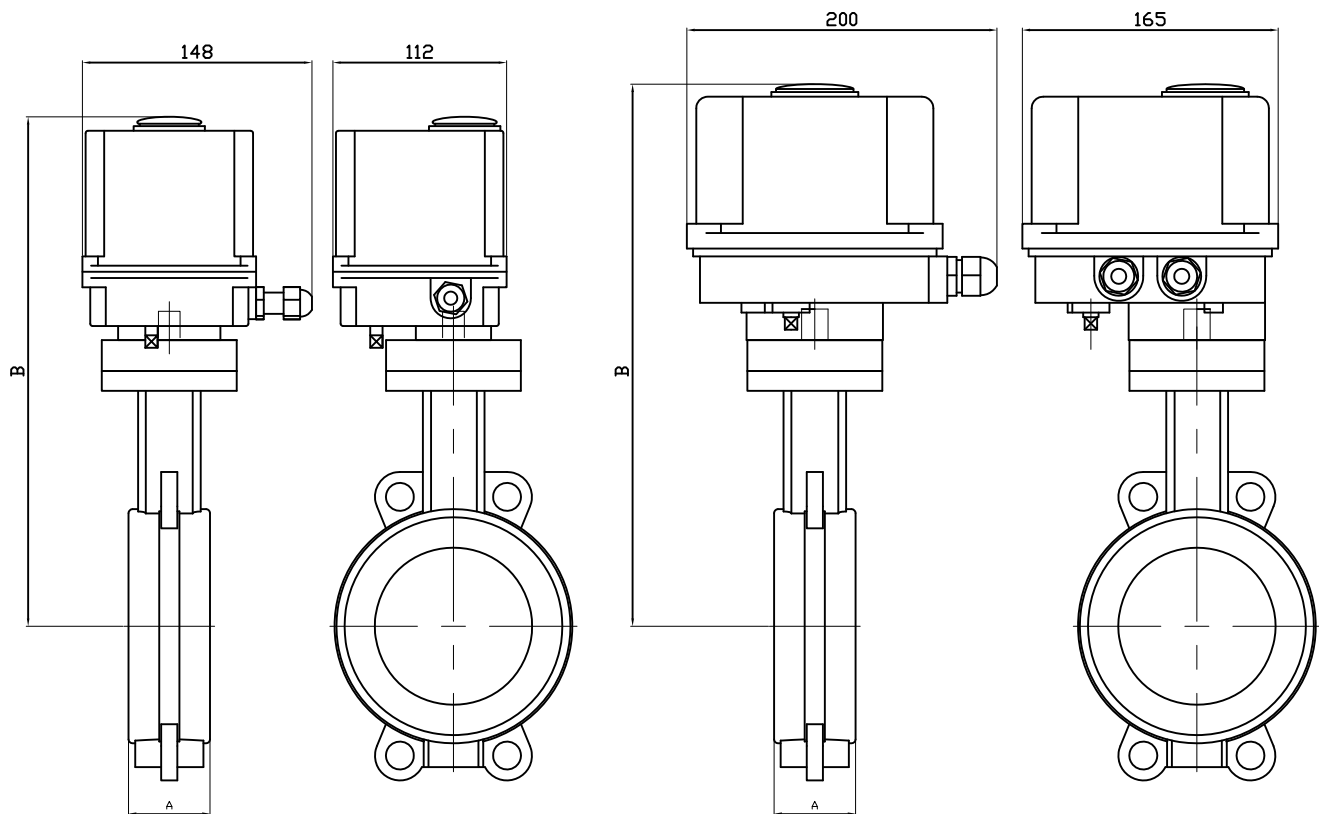
ACTUATION OPTIONS

There are many different options, please contact our commercial department.

1	Electric actuator sized for a maximum pressure differential up/downstream over 10 bar (=ΔP)
2	UV electric actuator with a declutchable manual override by handwheel
3	Anti condensation heater

The following data is for information purpose only and may be subject to alteration without prior notice


	SECTORIEL S.A. 45, rue du Ruisseau 38290 Saint Quentin-Fallavier – FRANCE Tel.: +33 474 94 90 70 – Fax: +33 474 94 13 95 www.sectoriel.fr / email: sectoriel@sectoriel.fr	Nbr. pages	4/4
		Ref.	1125+UM GB
		Rev.	4
		Date	09/2011



DN	40	50	65	80
Servomoteur	UMA-3.5	UMA-3.5	UMA-3.5	UMA-3.5
A	33	43	46	46
B	294	300	306	322
KG	3.7	4.4	4.8	5.1

DN	100	125
Servomoteur	UMC10	UMC10
A	52	56
B	365	383
KG	10.4	13.2

Informations données à titre indicatif et sous réserve de modifications éventuelles

				Ajout UMC10	28/09/2011	A
Ech:	Date :07/05/2004	Dessiné par : F.G.	Tolérances générales : +/- 0.2	Modifications	Date	REV.
<p>Robinet à papillon 1121-1125 + Servomoteur électrique UMA-3.5 / UMC10</p>  <p>45, Rue du Ruisseau 38297 SAINT QUENTIN FALLAVIER</p>				Matière :		
				Poids <Kg> :		
				Traitement : SANS		
				Plan n° Ens 778A		

ELECTRIC ACTUATOR UMA3.5

GENERAL CHARACTERISTICS

The UMA3.5 electric actuator is used on ¼ turn valves. The maximum output torque is 15 Nm. Its compact construction with a plastic enclosure makes it convenient for actuation on small diameter ball valves and butterfly valves. Protection IP 65: possible use indoor and outdoor under shelter.

IP 65



AVAILABLE ITEMS

Voltage: 230 V AC, 24 V AC and 24 V DC

LIMITS OF USE

Protection rating	IP 65
Temperature range	-10 °C / +55 °C
Service	S4-30%

MECHANICAL CHARACTERISTICS

Gears	Treated steel pinions
Torque	35 Nm
Rotation angle	90° +/- 5°
Declutching	Switch
Manual override	Allen key

Electric actuator	UMA3.5			UML3.5
Voltage	230 V AC	24 V AC	24 V DC	230 V AC
Operating time	12 s	15 s	16 s	40 s
ISO 5211 pad	F03/F05 – star 14			



ELECTRICAL CHARACTERISTICS

Motor protection	Thermal cut-out
Adjustable limit switches	2 adjustable switches
Auxiliary switches	2 adjustable dry switches
Anti-condensation	Optional
Electrical connection	2 gland packs. ½" PF

Electric actuator	UMA3.5			UML3.5
Voltage	230 V AC	24 V AC	24 V DC	230 V AC
Power	10 W	3 W	3 W	10 W
Intensity	0.25 A	0.15 A	0.15 A	0.25 A

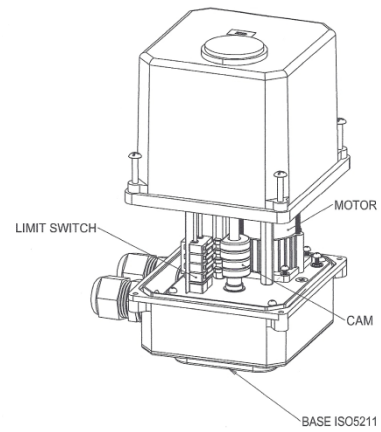
The following data is for information purpose only and may be subject to alteration without prior notice

	SECTORIEL S.A. 45, rue du Ruisseau 38290 Saint Quentin-Fallavier – FRANCE Tel.: +33 474 94 90 70 – Fax: +33 474 94 13 95 www.sectoriel.fr / email: sectoriel@sectoriel.fr	Pages	1/2
		Ref.	FT2206 GB
		Rev.	9
		Date	02/2012

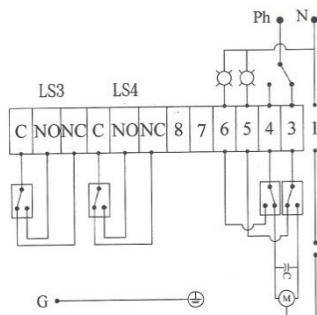
ELECTRIC ACTUATOR UMA3.5

CONSTRUCTION

Enclosure	PA 66 Plastic
Cover	PA 66 Plastic
Gears	Treated steel
Output	Star drive nut
Adjustable cams	Steel
Position indicator	Plexiglas®

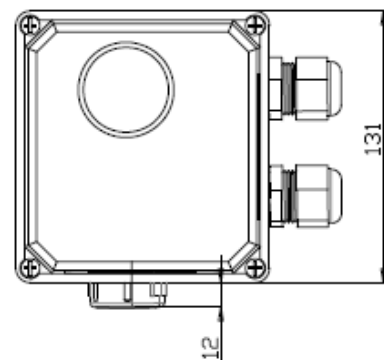


WIRING SCHEME 230 V AC

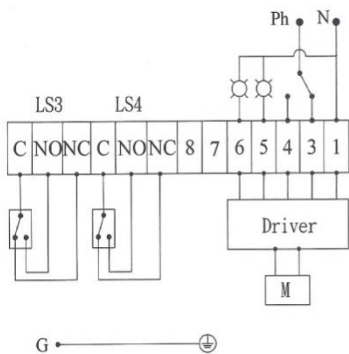


- 1 Common
 - 3 Opening phase
 - 4 Closing phase
 - 5 Open powered contact
 - 6 Close powered contact
 - 7 Heater
 - 8 Heater
- LS3 C-Auxiliary common dry open
NO- NO Dry contact
NC- NF Dry contact
- LS4 C-Auxiliary common dry close
NO- NO Dry contact
NC- NF Dry contact

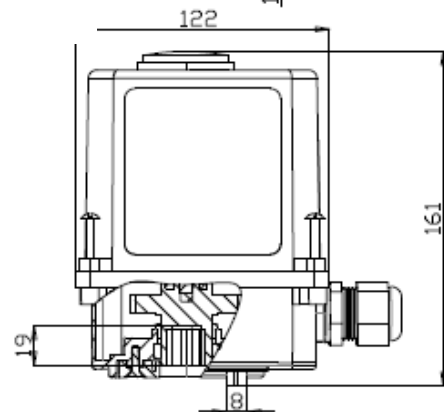
DIMENSIONS (mm)



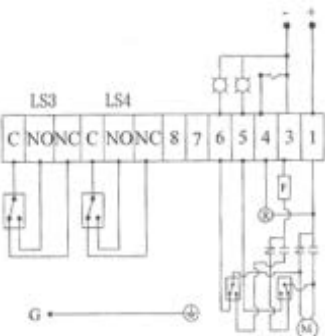
WIRING SCHEME 24 V AC



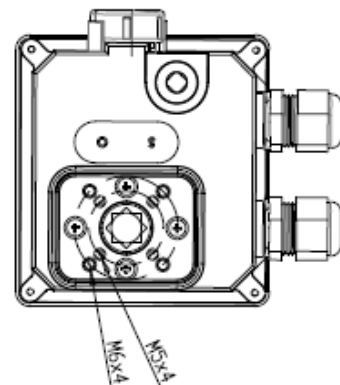
- 1 Common
 - 3 Opening phase
 - 4 Closing phase
 - 5 Open powered contact
 - 6 Close powered contact
 - 7 Heater
 - 8 Heater
- LS3 C-Auxiliary common dry open
NO- NO Dry contact
NC- NF Dry contact
- LS4 C-Auxiliary common dry close
NO- NO Dry contact
NC- NF Dry contact



WIRING SCHEME 24 V DC



- Wire 1 with +
 - Wire 3 with -
 - Bridge between 3 and 4 Opening
 - 5 Open powered contact
 - 6 Close powered contact
 - 7 Heater
 - 8 Heater
- LS3 C-Auxiliary common dry open
NO- NO Dry contact
NC- NF Dry contact
- LS4 C-Auxiliary common dry close
NO- NO Dry contact
NC- NF Dry contact



The following data is for information purpose only and may be subject to alteration without prior notice

	SECTORIEL S.A. 45, rue du Ruisseau 38290 Saint Quentin-Fallavier – FRANCE Tel.: +33 474 94 90 70 – Fax: +33 474 94 13 95 www.sectoriel.fr / email: sectoriel@sectoriel.fr	Pages	2/2
		Ref.	FT2206 GB
		Rev.	9
		Date	02/2012

ELECTRIC ACTUATOR UMC

GENERAL CHARACTERISTICS

The UMC and UMCL electric actuators are generally used on ¼ turn valves. The maximum output torque is between 100 Nm and 150 Nm. Its compact construction with a plastic enclosure makes it convenient for the actuation of small diameter ball valves and butterfly valves. Protection IP 65: possible use indoor and outdoor under shelter.

AVAILABLE ITEMS

100 Nm and 150 Nm torque
Voltage: 230 V AC, 24 V AC and 24 V DC



LIMITS OF USE

Protection rating	IP 65
Temperature range	-10 °C / +60 °C
Service	S4 - 30%

MECHANICAL CHARACTERISTICS

Gears	Treated steel pinions
Rotation angle	90° +/- 5°
Declutching	N/A
Manual override	Allen key (except for UML version)



Electric actuator	UMC10	UMC15			UMC15L
Voltage	230 V AC	230 V AC	24 V AC	24 V DC	230 V AC
Torque	100 Nm	150 Nm			
Operating time	8 s	8 s	8 s	8 s	45 s
ISO 5211 pad	F07 – star 17				

ELECTRICAL CHARACTERISTICS

Motor protection	Thermal cut-out
Adjustable limit switches	2 adjustable switches
Auxiliary switches	2 dry adjustable switches
Anti-condensation	Optional
Electrical connection	2 gland packs ½" PF

Electric actuator	UMC10	UMC15			UMC15L
Voltage	230 V AC	230 V AC	24 V AC	24 V DC	230 V AC
Power	25 W	25 W	25 W	25 W	25 W
Intensity	0.42 A	0.42 A	0.5 A	0.5 A	0.42 A

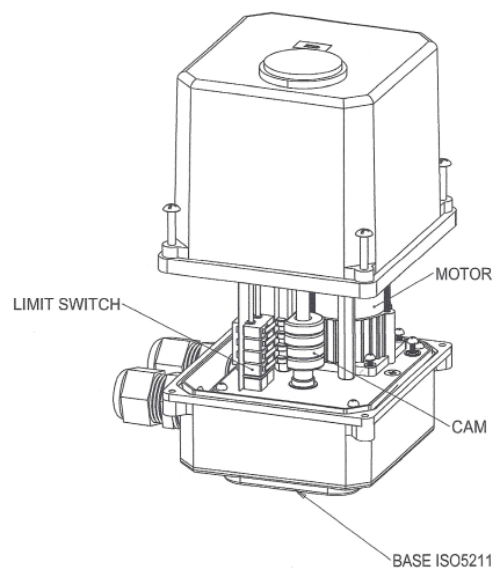
The following data is for information purpose only and may be subject to alteration without prior notice

	SECTORIEL S.A. 45, rue du Ruisseau 38290 Saint Quentin-Fallavier – FRANCE Tel.: +33 474 94 90 70 – Fax: +33 474 94 13 95 www.sectoriel.fr / email: sectoriel@sectoriel.fr	Pages	1/3
		Ref.	FT2224 GB
		Rev.	9
		Date	11/2012

ELECTRIC ACTUATOR UMC

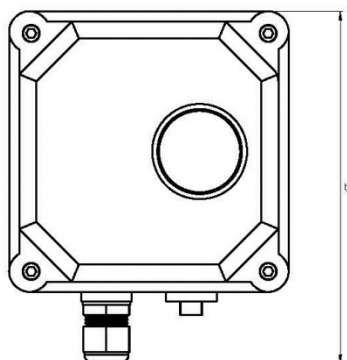
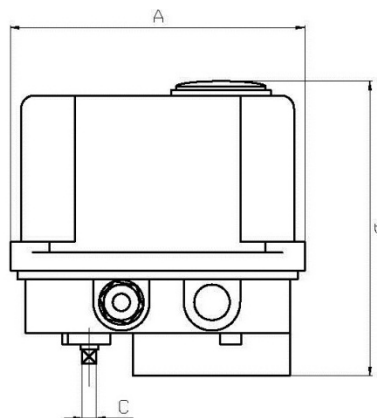
CONSTRUCTION

Enclosure	PA66 Plastic
Cover	PA66 Plastic
Gears	Treated steel
Output	Star drive nut
Adjustable cams	Steel
Position indicator	Plexiglas®




DIMENSIONS (mm)

A	165
B	165
C	8
D	200



The following data is for information purpose only and may be subject to alteration without prior notice

	SECTORIEL S.A. 45, rue du Ruisseau 38290 Saint Quentin-Fallavier – FRANCE Tel.: +33 474 94 90 70 – Fax: +33 474 94 13 95 www.sectoriel.fr / email: sectoriel@sectoriel.fr	Pages	2/3
		Ref.	FT2224 GB
		Rev.	9
		Date	11/2012

ELECTRIC ACTUATOR UMC

WIRING SCHEME 230 V AC AND 24 V AC

		230 V AC	24 V AC
1	Common		
3	Opening phase		
4	Closing phase		
5	Open powered contact		
6	Close powered contact		
7	Heater		
8	Heater		
9-C	Aux. common LS3 Opening		
10-NO	Aux. NO contact LS3 Opening		
11-NC	Aux. NC contact LS3 Opening		
12-C	Aux. common LS4 Closing		
13-NO	Aux. NO contact LS4 Closing		
14-NC	Aux. NC contact LS4 Closing		

WIRING SCHEME 24 V DC

	Wire 1 with +	
	Wire 3 with -	
	Bridge between 3 and 4 opening	
	Disconnected 4 closing	
5	Open powered contact	
6	Close powered contact	
7	Heater	
8	Heater	
D1	Aux. common #1	
D2	Aux. NO contact #1	
D3	Aux. NC contact #1	
C1	Aux. common #2	
C2	Aux. NO contact #2	
C3	Aux. NC contact #2	

The following data is for information purpose only and may be subject to alteration without prior notice

	SECTORIEL S.A. 45, rue du Ruisseau 38290 Saint Quentin-Fallavier – FRANCE Tel.: +33 474 94 90 70 – Fax: +33 474 94 13 95 www.sectoriel.fr / email: sectoriel@sectoriel.fr	Pages	3/3
		Ref.	FT2224 GB
		Rev.	9
		Date	11/2012