

50Hz

# ARGAL

CHEMICAL PUMPS

## NESK *Vertical shaft centrifugal pumps*



QGN

**HEAVY DUTY CONSTRUCTION**

# NESK

## Vertical shaft centrifugal pumps

This range of pumps is designed to circulate medium to large volumes of corrosive liquid through heat exchangers or to supply low pressure liquid flow to surface treatment or washing systems.

NESK pumps are efficient, silent, reliable and require limited preventive maintenance. These characteristics result from specific designing choices as:

- Low speed of the liquid pumped because of large internal volume of casing and connections.
- Rotational speed of the impeller limited to 1450 rpm/min.
- Single mechanical seals or flushed double mechanical seals.

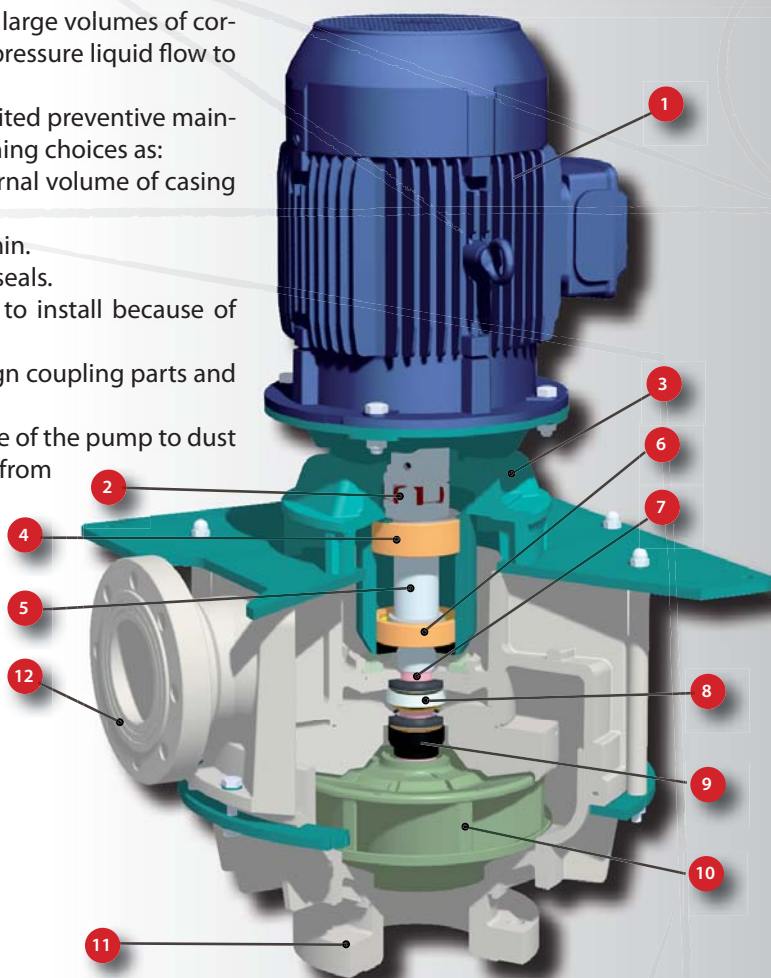
Vertical design makes NESK pumps versatile and easy to install because of compact dimension and limited vertical section.

Self centring flanges eliminate the need to manually align coupling parts and ease routine maintenance as repair operation.

Vertical installation above the ground limits the exposure of the pump to dust and accidental splashes of industrial liquid preserving it from premature corrosion.

### QGN - SECTION VIEW

- 1 - Motor
- 2 - Coupling
- 3 - Support
- 4 - Bearing
- 5 - Shaft
- 6 - Bearing
- 7 - Protection bushing
- 8 - Flushed mechanical seal
- 9 - Internal mechanical seal
- 10 - Impeller
- 11 - Suction
- 12 - Delivery



### MAIN APPLICATIONS

Anodization of aluminium (Cooling and circulation of the bath).

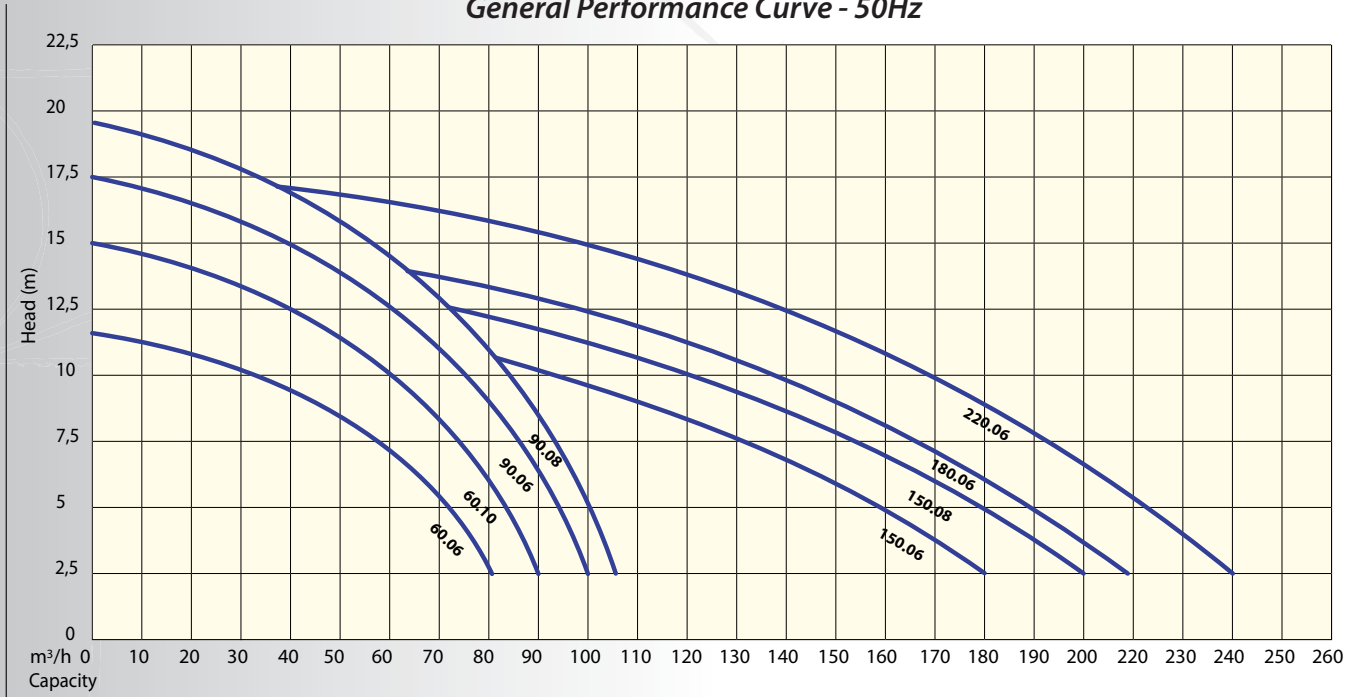
Metallurgic Industry (Lines for pickling of metal sheets)

Surface treatment (Circulation of the bath)

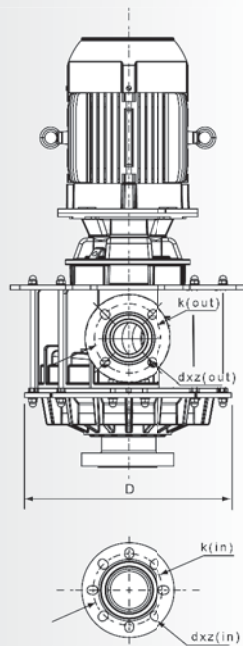
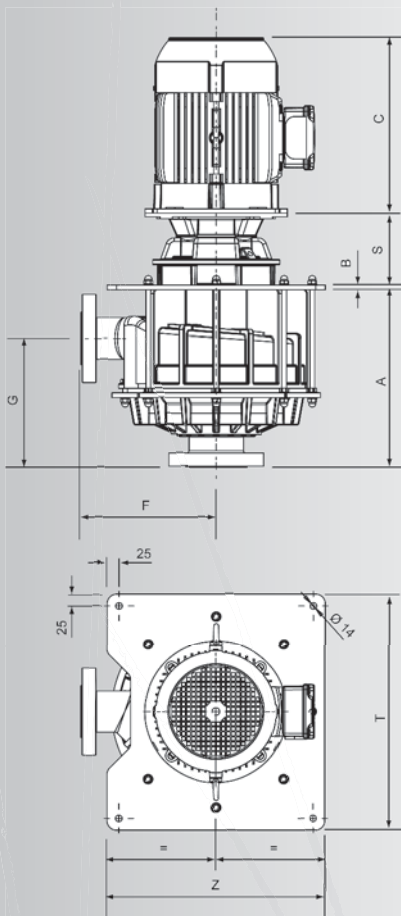
### PUMP IDENTIFICATION LABEL

QGN	60.06	WR	V	BS7	1450	0	3	4 kW
NESK range	BEP = 60.06	WR = GFR-PP FC = PVDF	V = FKM E = EPDM	BS7 single C/SiC	1450 rpm	0 = without N = standard S = special E = EEx	3 Phase 1 Phase	MOTOR 4 kW
SERIES	MODEL	VERSION	O-ring MATERIAL	MECHANICAL SEAL	RPM	MOTOR	PHASE	POWER
QGN	60.06 60.10 ... 180.06 220.06	WR FC	V E	BS_single MBS_double	1450 1750	0 N S E	3 1	4 kW 5.5 kW 7.5 kW 11 kW 15 kW

**General Performance Curve - 50Hz**



NOTES: All curves are referred to: water at 20°C - viscosity 1 °E - specific gravity 1 kg/dm<sup>3</sup>



**DIMENSIONS**

model	A	B	C(*)	D	F	G	S	T	Z
60.06	374	10	325	440	286	272	132	500	460
60.10	374	10	360	440	286	272	152	500	460
90.06	374	10	360	440	286	272	152	500	460
90.08	374	10	400	440	286	272	152	500	460
120.05	400	10	360	480	310	325	152	550	500
120.08	400	10	400	480	310	325	152	550	500
150.06	400	10	400	480	310	325	152	550	500
150.08	400	10	495	480	310	325	182	550	500
180.06	400	10	495	480	310	325	182	550	500
220.06	400	10	495	480	310	325	182	550	500

\* depend on the motor manufacturer

**CONNECTIONS**

model	ISO						ANSI					
	DN (in)	k (in)	dxz (in)	DN (out)	k (out)	dxz (out)	DN (in)	k (in)	dxz (in)	DN (out)	k (out)	dxz (out)
60.06	80	160	18x8	65	145	18x4	3"	152	19x4	2" ½	140	19x4
60.10	80	160	18x8	65	145	18x4	3"	152	19x4	2" ½	140	19x4
90.06	100	180	18x8	65	145	18x4	4"	191	19x8	2" ½	140	19x4
90.08	100	180	18x8	65	145	18x4	4"	191	19x8	2" ½	140	19x4
120.05	125	210	18x8	80	160	18x8	5"	216	22x8	3"	152	19x4
120.08	125	210	18x8	80	160	18x8	5"	216	22x8	3"	152	19x4
150.06	125	210	18x8	100	180	18x8	5"	216	22x8	4"	191	19x8
150.08	125	210	18x8	100	180	18x8	5"	216	22x8	4"	191	19x8
180.06	125	210	18x8	100	180	18x8	5"	216	22x8	4"	191	19x8
220.06	125	210	18x8	100	180	18x8	5"	216	22x8	4"	191	19x8



rev. 01



Member of AIB  
associazione  
industriale  
Bresciana

Via Labirinto, 159 - 25125 BRESCIA - ITALY  
Tel. +39.030.3507011 - Fax +39.030.3507077 - Export dpt. Tel. +39.030.3507033  
Web: [www.argal.it](http://www.argal.it) - E-mail: [export@argal.it](mailto:export@argal.it)

It is the policy of ARGAL to always improve its products and the right is reserved to alter specifications at any time without prior notice.  
No part of this publication may be reproduced in any form or any means.