

Capsule pressure gauge, copper alloy or stainless steel Process Gauge, safety version per ASME B40.100 Models 612.34, 632.34 and 633.34

WIKA data sheet PM 06.07



for further approvals
see page 3

Applications

- Process industry: Plant construction, chemical industry, petrochemical industry, power plants, mining, on-/offshore and environmental technology
- For gaseous, dry and aggressive media, also in aggressive environments

Special features

- Safety version with solid baffle wall designed in compliance with the requirements and test conditions of ASME B 40.100
- Low scale ranges from 0 ... 25 mbar to 0 ... 600 mbar
- Nominal size 4 1/2" (115 mm)
- Robust, glass-fibre reinforced case from POCAN®



Capsule pressure gauge model 632.34

Description

The models 612.34, 632.34 and 633.34 are high-quality capsule pressure gauges and have been designed especially for increased safety requirements within the process industry.

The capsule measurement principle is particularly suitable for low pressures. On pressurisation, the expansion of the capsule element, proportional to the incident pressure, is transmitted to the movement and indicated.

The glass-fibre reinforced POCAN® case offers the necessary stability for reproducible measurements, even under aggressive ambient conditions.

With the model 633.34, a case filling with silicone oil enables use in applications with highly dynamic pressure loads and vibration.

Standard version

Design

Per ASME B40.100

Nominal size in mm

4 ½" (115 mm)

Accuracy class

Grade A per ASME B40.100
(corresponds to indication accuracy $\pm 2.5\%$)

Scale ranges

0 ... 25 mbar to 0 ... 600 mbar
or all other equivalent vacuum or combined pressure and vacuum ranges

Pressure limitation

Steady: Full scale value
Fluctuating: 0.9 x full scale value

Permissible temperature

Ambient: -20 ... +60 °C (-4 ... 140 °F)
Medium: ≤ 100 °C (212 °F)

Temperature effect

When the temperature at the measuring system deviates from the reference temperature +20 °C (+68 °F): max. $\pm 0.6\%/10$ K of full scale value

Ingress protection

NEMA 3 (IP54 per EN/IEC 60529)

Process connection

Model 612.34: Copper alloy
Model 632.34: Stainless steel 316L
Lower mount, ¼ NPT or ½ NPT (male)

Pressure element

Model 612.34: Copper alloy
Model 632.34: Stainless steel

Movement

Model 612.34: Copper alloy
Model 632.34: Stainless steel

Dial

Aluminium, white, black lettering, pointer stop pin at 6 o'clock

Pointer

Aluminium, black, adjustable pointer

Case

POCAN® (thermoplastic), black, with solid baffle wall (Solid-front) and blow-out back, surface mounting flange integrated on the rear

Window

Clear non-splintering plastic, sealing from NBR

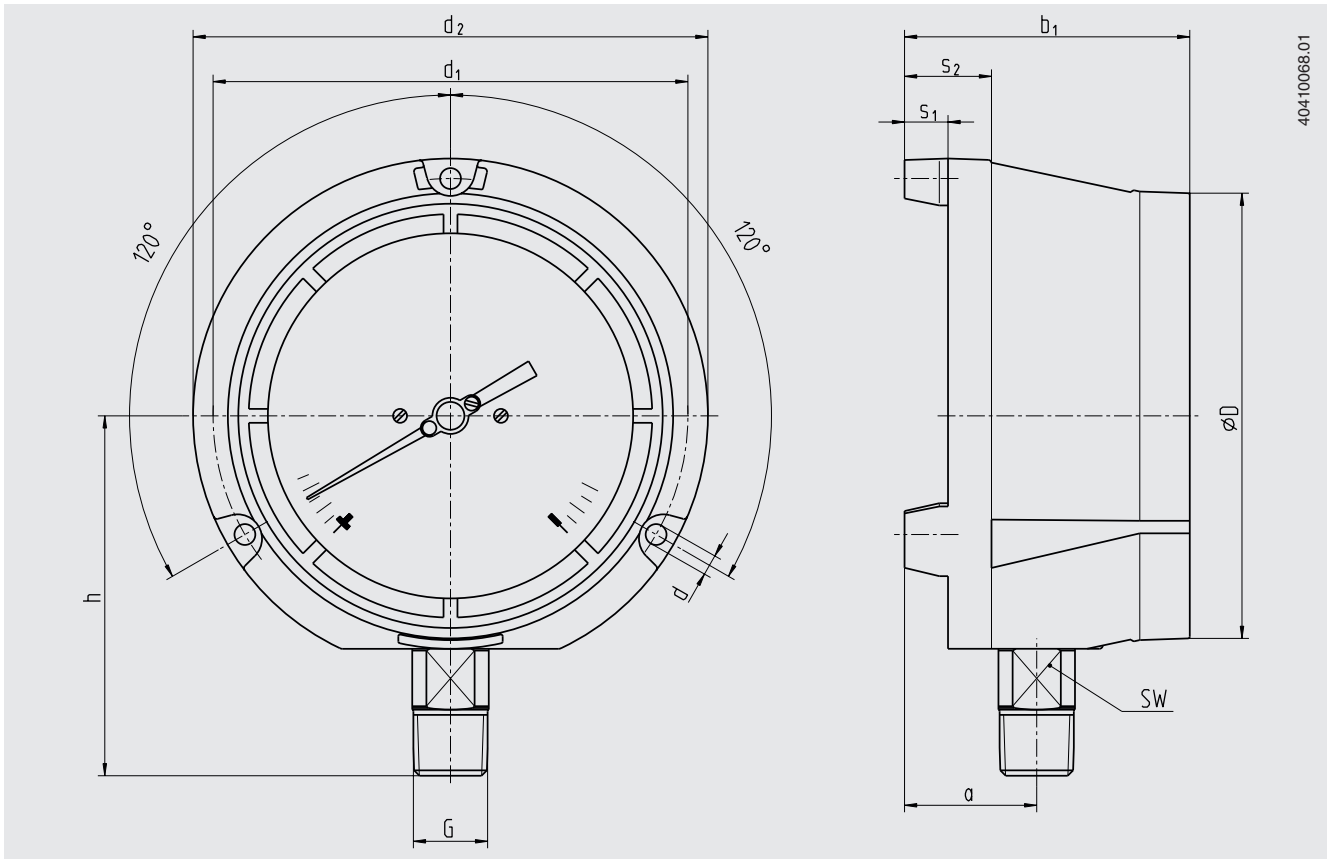
Ring

Threaded bezel, POCAN®, black

Options

- Restrictor screw in the pressure port
- Overload or vacuum safety with
scale ranges < 40 mbar: 3 x full scale value
scale ranges ≥ 40 mbar: 10 x full scale value
- Adapter kit for panel mounting
- Window: Instrument glass or laminated safety glass
- Other process connection
- Dial layout to customer requirements
- Case filling with silicone oil M50 for scale ranges from 0 ... 100 mbar

Dimensions






Dimensions in mm											Weight ²⁾ in kg
a	b ₁	D	d ₁	d ₂	d ₃	G	h ± 1	s ₁	s ₂	SW ¹⁾	
40	84	128	136.5	148	6.3	½ NPT	103.5	12.5	25	22	0.9

Dimensions in inch											Weight ²⁾ in lbs
a	b ₁	D	d ₁	d ₂	d ₃	G	h ± 0.04	s ₁	s ₂	SW ¹⁾	
1.575	3.31	5.04	5.374	5.827	0.248	½ NPT	4.075	0.492	0.984	0.866	2

1) SW = spanner width

2) Weight without optional accessories

Approvals

Logo	Description	Country
	GOST (option) Metrology, measurement technology	Russia
	BelGIM (option) Metrology, measurement technology	Belarus
	UkrSEPRO (option) Metrology, measurement technology	Ukraine
-	CPA Metrology, measurement technology	China

Certificates (option)

- 2.2 test report
- 3.1 material certificate for the wetted parts (only model 632.34)

Approvals and certificates, see website

Ordering information

Model / Scale range / Process connection / Options

© 11/2000 WIKA Alexander Wiegand SE & Co. KG, all rights reserved.
The specifications given in this document represent the state of engineering at the time of publishing.
We reserve the right to make modifications to the specifications and materials.

