

# Bourdon tube pressure gauge UHP, stainless steel version Model 230.15

WIKA data sheet PM 02.20

## Applications

- For gaseous and liquid, also aggressive media for demanding high purity applications, also in aggressive ambience
- For all UHP (ultra high purity) applications
- Semiconductor and flat panel industry
- Gas distribution systems, medical gases
- Hook-up application

## Special features

- VCR® compatible pressure connection threads
- Helium leak tested
- Electropolished case
- Process connection surface finish  $Ra \leq 0.25 \mu m$



**Bourdon tube pressure gauge, UHP model 230.15.2",  
process connection VCR® compatible face seal fitting  
with union nut**

## Description

### Nominal size

1 1/2", 2"

### Accuracy class

NS 1 1/2": Grade B per ASME B40.1

NS 2": Grade A per ASME B40.1

### Scale ranges

0 ... 1 to 0 ... 400 bar (0 ... 15 to 0 ... 6,000 psi)

or all other equivalent vacuum or combined pressure and vacuum ranges

### Pressure limitation

Steady: 3/4 x full scale value

Fluctuating: 2/3 x full scale value

Short time: Full scale value

### Permissible temperature

Ambient: -40 ... +60 °C

Medium: +100 °C maximum

### Temperature effect

When the temperature of the measuring system deviates from the reference temperature (+20 °C):

max.  $\pm 0.4 \%$  / 10 K of full scale value

### Ingress protection

IP 54 per EN 60529 / IEC 529

VCR® is a registered trademark of Swagelok

## Standard version

### Process connection

Stainless steel 316L,  
 lower mount (LM) or centre back mount (CBM)  
 VCR® compatible face seal fitting optionally:  
 with union nut  
 with male nut  
 or with male thread 9/16-18 UNF fixed

### Pressure element

Stainless steel 316L  
 < 100 bar: C-type  
 ≥ 100 bar: Helical type  
 Measuring system in crevice free design,  
 jet-finished and passivated after welding  
 Ra < 0.5 µm (Ra < 20 µinch)  
 Leak tightness: Leak rate ≤ 10-9 mbar · l / s  
 Test method: Helium mass spectrometry

### Movement

Stainless steel

### Dial

Aluminium, white, black lettering, with pointer stop pin

### Pointer

Aluminium, black

### Case

Stainless steel, electropolished

### Window

Polycarbonate  
 NS 1 ½": Snap-in window  
 NS 2": Screw-fitted on case (twist lock)

### Cleaning

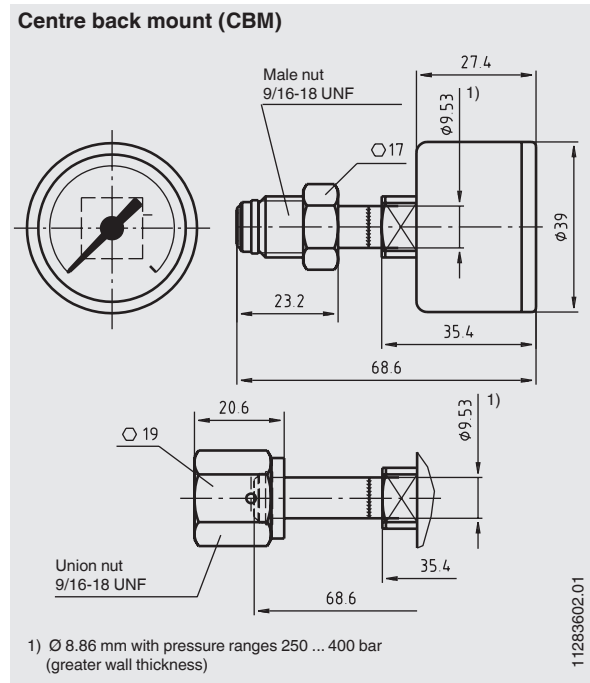
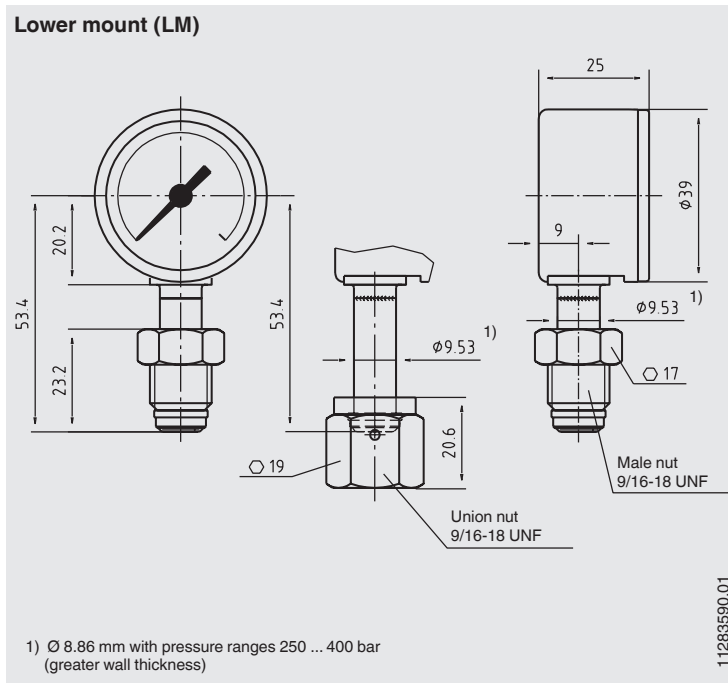
Clean for semiconductor applications in accordance with SEMI / SEMATEC

## Options

- Other process connection
- Smaller process connection surface finish Ra ≤ 0.3 µm
- Dual scale

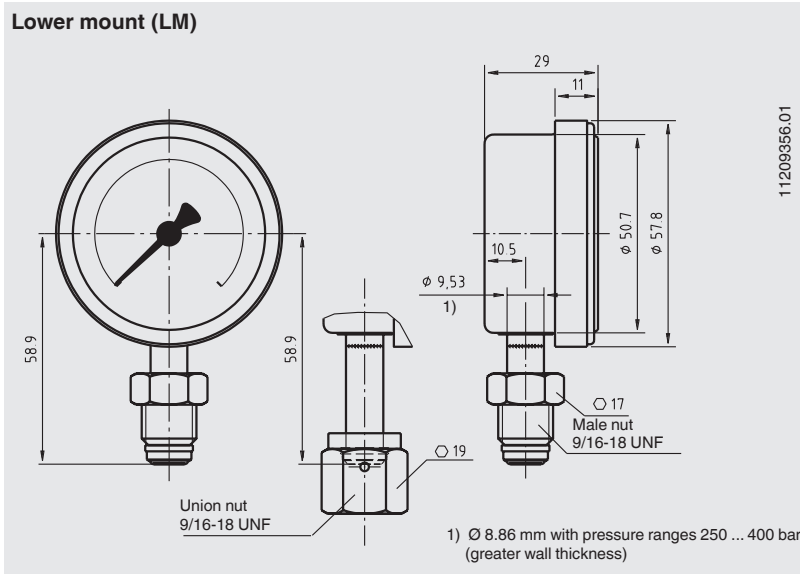
## Dimensions in mm

### Standard version NS 1 ½"

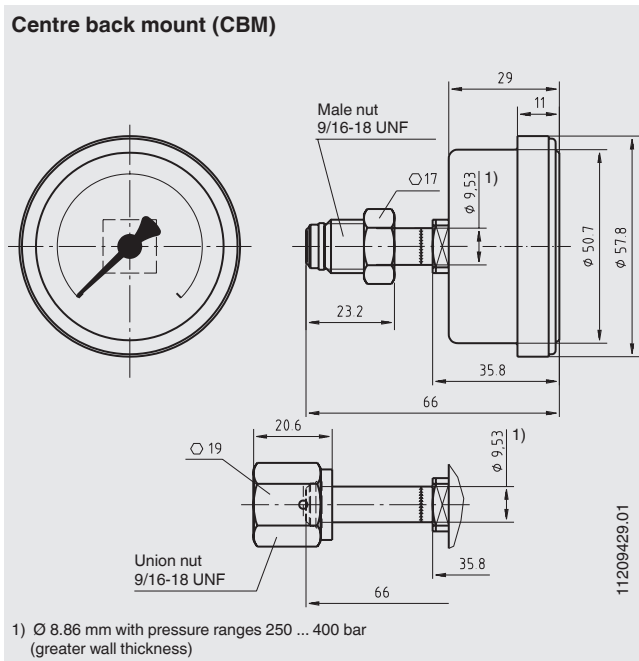


## Standard version NS 2"

### Lower mount (LM)



### Centre back mount (CBM)



## Ordering information

Model / Nominal size / Scale range / Connection size / Connection location / Options

© 2007 WIKA Alexander Wiegand SE & Co. KG, all rights reserved.  
The specifications given in this document represent the state of engineering at the time of publishing.  
We reserve the right to make modifications to the specifications and materials.

