

Non-return Valve

BOACHEM RXA

PN 10-40
DN 15-300
Flanged Ends

Type Series Booklet



Legal information/Copyright

Type Series Booklet BOACHEM RXA

KSB Aktiengesellschaft

All rights reserved. Contents provided herein must neither be distributed, copied, reproduced, edited or processed for any other purpose, nor otherwise transmitted, published or made available to a third party without KSB's express written consent.

Subject to technical modification without prior notice.

© KSB Aktiengesellschaft Frankenthal 2012

Check Valves and Strainers

Non-return Valves

BOACHEM RXA



Main applications

- Food and beverages industry
- Petrochemical industry
- Process engineering
- Sugar industry

Fluids handled

- Aggressive liquids
- Steam
- Explosive fluids
- Solids-laden fluids
- Flammable fluids
- Fluids containing gas
- Gas
- Fluids posing a health hazard
- Toxic fluids
- High-temperature hot water
- Highly aggressive fluids
- Condensate
- Corrosive fluids
- Valuable fluids
- Volatile fluids
- Fluids containing mineral oils
- Oil
- Polymerising/crystallising fluids
- Feed water
- Thermal oil
- Other fluids on request.

Operating data

Operating properties

Characteristic	Value
Nominal pressure	PN 10-40
Nominal size	DN 15-300
Max. permissible pressure	40 bar
Max. permissible temperature	400 °C

Selection as per pressure/temperature ratings (⇒ Page 4)

Body materials

Overview of available materials

Material	Material number	Temperature limit
GX5CrNiMo19-11-2	1.4408	Up to 400 °C

Design details

Design

- Straight-way pattern
- Spring-loaded check disc
- Fully confined cover gasket
- The valves satisfy the safety requirements of Annex I of the European Pressure Equipment Directive 97/23/EC (PED) for fluids in Groups 1 and 2.
- The valves do not have a potential internal source of ignition and can be used in potentially explosive atmospheres, Group II, category 2 (zones 1+21) and category 3 (zones 2+22) to ATEX 94/9/EC.

Variants

- Oil and grease-free
- Serrated gasket (PTFE-coated)
- Applications down to -60 °C
- Heating jacket made of 1.4541/1.4301 or 1.4571/1.4404
- Other flange designs

Product benefits

- Fully confined cover gasket
- Closing spring as standard
- High-quality lapped valve seats

Related documents

- BOACHEM ZXAB bellows-type globe valve, see type series booklet 8150.1.
- BOACHEM ZYAB bellows-type Y-pattern globe valve, see type series booklet 8151.1.
- BOACHEM ZXA globe valve with gland packing, see type series booklet 8149.1.
- BOACHEM ZYA Y-pattern globe valve with gland packing, see type series booklet 8148.1.
- BOACHEM FSA Y-pattern strainer, see type series booklet 8146.1.
- Operating manual 8115.8

On all enquiries/orders please specify

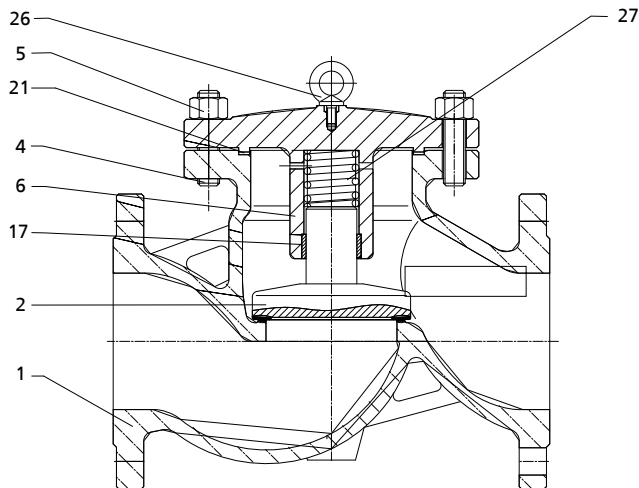
1. Type
2. Nominal pressure
3. Nominal size
4. Operating pressure
5. Differential pressure
6. Operating temperature
7. Fluid handled
8. Pipe connection
9. Variants
10. Number of type series booklet

Pressure/temperature ratings

Permissible operating pressures in bar at a temperature of °C (to EN 1092-1)¹⁾

Nominal pressure PN	Material	20	100	150	200	250	300	350	400
10	1.4408	10	10	9	8,4	7,9	7,4	7,1	6,8
16		16	16	14,5	13,4	12,7	11,8	11,4	10,9
25		25	25	22,7	21	19,8	18,5	17,8	17,1
40		40	40	36,3	33,7	31,8	29,7	28,5	27,4

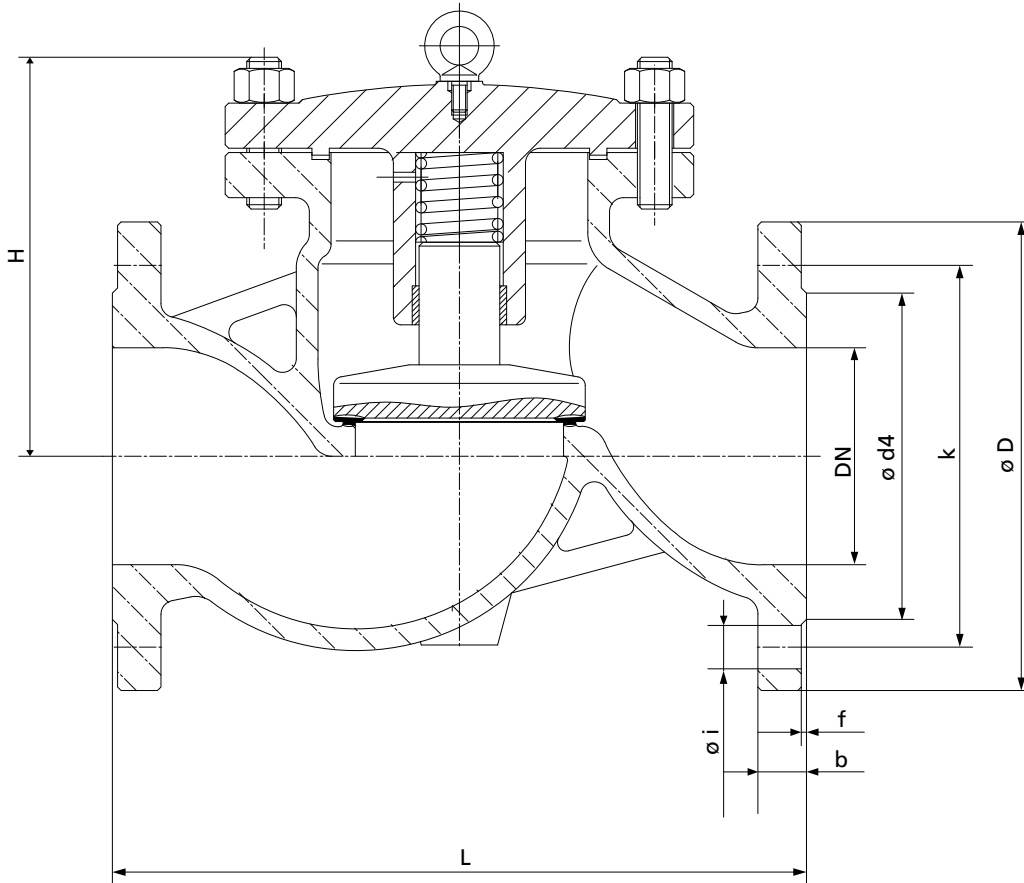
Materials



Overview of available materials

Part No.	Description	Material	Material number
1	Body	G X 5 CrNiMo 19-11-2	1.4408
2	Valve disc	X5 CrNiMo 18-10	1.4401
4	Bolt	A4-70	
5	Nut	A4-70	
6	Cover	G X 5 CrNiMo 19-11-2	1.4408
17	Plain bearing	Bronze	
21	Gasket	CrNiSt/graphite	
26	Eyebolt	CrNiSt	
27	Spring	X5 CrNiMo 18-10	1.4401

¹⁾ The valves are suitable for temperatures down to -10 °C.

Dimensions


Dimensions in mm

PN	DN	L	Ø D	k	No. of bolt holes z	Ø i	Ø d ₄ x f	b	H	[kg]
10-40	15	130	95	65	4	14	45 x 2	16	100	5,5
	20	150	105	75	4	14	58 x 2	18	110	6,6
	25	160	115	85	4	14	68 x 2	18	120	8,8
	32	180	140	100	4	18	78 x 2	18	130	11
	40	200	150	110	4	18	88 x 3	18	135	13,2
	50	230	165	125	4	18	102 x 3	20	150	17,6
10/16	65	290	185	145	8	18	122 x 3	22	160	32
	80	310	200	160	8	18	138 x 3	24	169	29,7
	100	350	220	180	8	18	158 x 3	24	194	45,1
	125	400	250	210	8	18	188 x 3	26	225	59,4
	150	480	285	240	8	22	212 x 3	28	255	82,5
10	200	600	340	295	8	22	268 x 3	24	305	132
16	200	600	340	295	12	22	268 x 3	24	305	132
	250	730	405	355	12	26	320 x 3	26	305	255
	300	850	460	410	12	26	378 x 4	28	306	426
25/40	80	310	200	160	8	18	138 x 3	24	169	36
	100	350	235	190	8	22	162 x 3	24	194	57
	125	400	270	220	8	26	188 x 3	26	225	81
	150	480	300	250	8	26	218 x 3	28	255	100
25	200	600	360	310	12	26	278 x 3	30	305	158
	250	730	425	370	12	30	335 x 3	32	305	268
	300	850	485	430	16	30	394 x 4	34	306	438

PN	DN	L	Ø D	k	No. of bolt holes z	Ø i	Ø d ₄ x f	b	H	[kg]
40	200	600	375	320	12	30	285 x 3	34	305	164
	250	730	450	385	12	33	345 x 3	38	305	282
	300	850	515	450	16	33	410 x 4	42	306	518

Mating dimensions - Standards

Face-to-face lengths: EN 558-1/1, ISO 5752/1

Flanges: Mating dimensions to DIN EN 1092-1, ISO 7005

Flange facing: DIN EN 1092-1, type B1

Other flange designs

- E.g. groove (type D), tongue (type C), recess (type F), spigot (type E) to EN 1092-1 at both ends
- Other flange designs on request

Installation instructions

i Non-return valves must always be installed in the line so as to ensure that the fluid enters the valve beneath the valve disc and flows out above the valve disc.

Differential pressures in bar

DN	10-50	65-200
With spring	0,15	0,07

KSB Italia S.p.A.

Via M. D'Azeglio, 32
20049 Concorezzo MI
Telefono 039 6048.1 – Fax 039 6048.097
www.ksb.com



Service Centers

Concorezzo (MI) Via M. D'Azeglio, 32 • tel. 039 6048.11 • fax 039 6048.882
Rubano (PD) Via Archimede, 13 • tel. 049 630684 • fax 049 630899
Taranto Via Speciale, 4 • tel. 099 7797449 • fax 099 7701501