

**BRASS Y STRAINER**



ISO 9001:2000

**Size :** DN 3/8" to 2" 1/2  
**Ends :** Female BSP  
**Min Temperature :** - 10°C  
**Max Temperature :** + 120°C  
**Max Pressure :** 16 Bars  
**Specifications :** Removable stainless steel filter  
Female / Female

**Materials :** Brass body

**BRASS Y STRAINER**

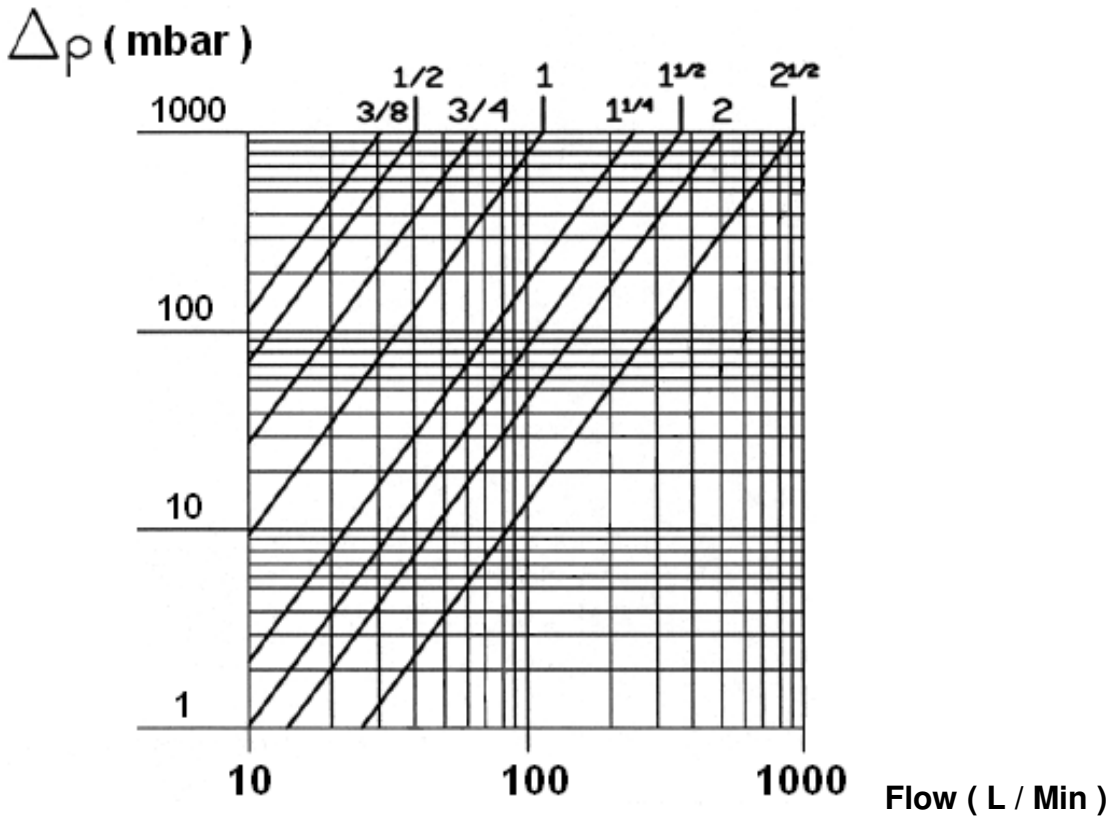
**SPECIFICATIONS :**

- Removable stainless steel filter
- Female / female type
- Horizontal or vertical position (respect the flow direction indicated by the arrow )
- Mesh 8/10° mm ( 800 μ )

**USE :**

- Water distribution and watering
- Min Temperature Ts : - 10°C
- Max Temperature Ts :+ 120°C
- Max Pressure Ps : 16 bars up to DN 2" , 10 bars over

**HEAD LOSS :**

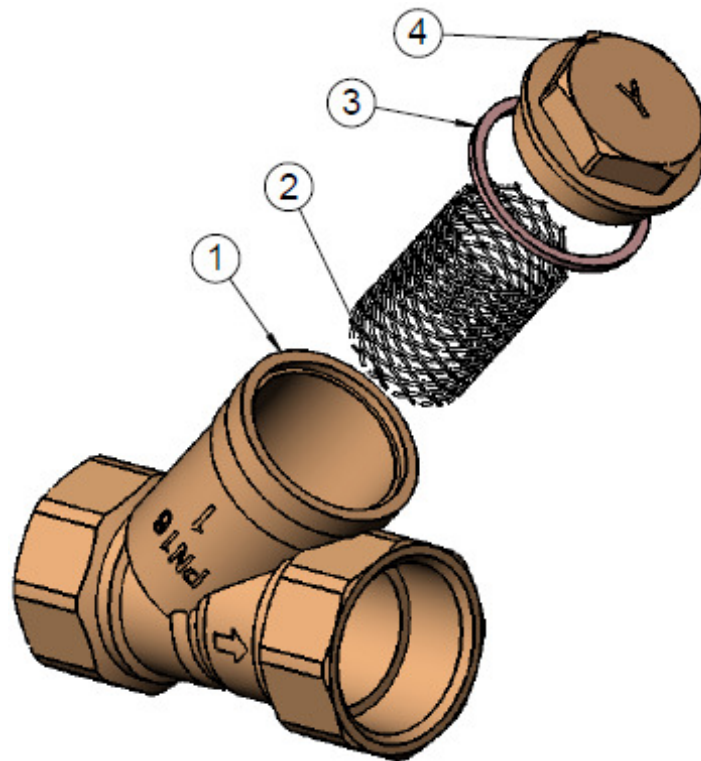


**RANGE :**

- Threaded BSP cylindric ends DN 3/8" to DN 2"1/2

**BRASS Y STRAINER**

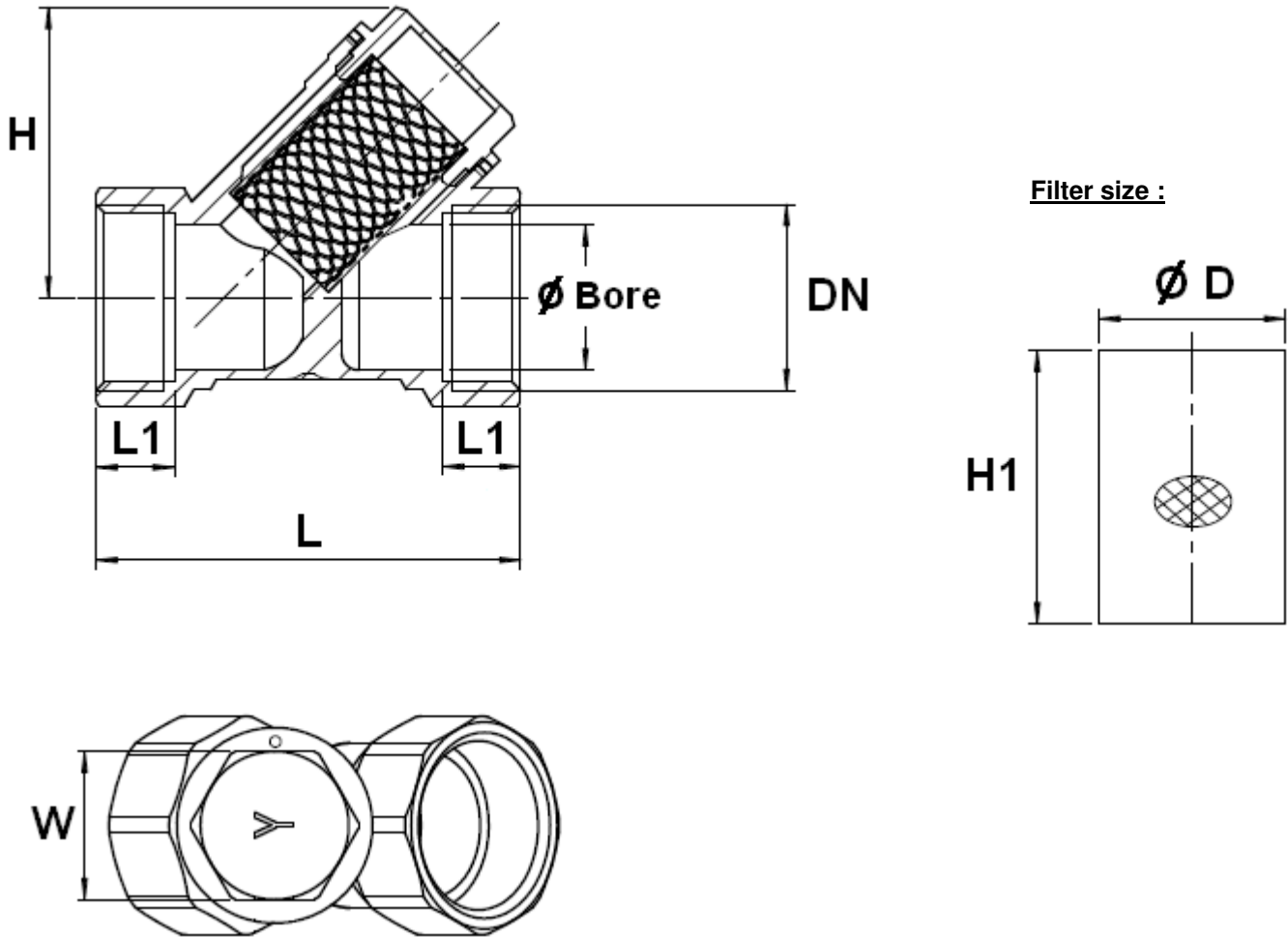
**MATERIALS:**



| Item | Designation | Materials |
|------|-------------|-----------|
| 1    | Body        | Brass     |
| 2    | Filter      | SS 304    |
| 3    | Gasket      | Fiber     |
| 4    | Cap         | Brass     |

**BRASS Y STRAINER**

**SIZE ( in mm ) :**



|   | DN                   | 3/8"  | 1/2"  | 3/4"  | 1"    | 1"1/4 | 1"1/2 | 2"    | 2"1/2 |
|---|----------------------|-------|-------|-------|-------|-------|-------|-------|-------|
| <b>Ref.</b><br><br><br><br><br><br><br><b>206</b> | <b>Ø Bore</b>        | 14    | 17.5  | 22    | 26    | 34    | 40    | 52    | 66    |
|   | <b>L</b>             | 52    | 55    | 71    | 76    | 89    | 99.5  | 117.5 | 135   |
|   | <b>L1</b>            | 10    | 11.5  | 13    | 14    | 15    | 15.5  | 17.5  | 18    |
|   | <b>H</b>             | 41    | 41    | 48    | 51    | 67.5  | 73.5  | 92    | 104   |
|   | <b>W</b>             | 20    | 20    | 26.5  | 26.5  | 36    | 39    | 47    | 50.5  |
|   | <b>Ø D</b>           | 18    | 18    | 24    | 24    | 35    | 42    | 53    | 63    |
|   | <b>H1</b>            | 29    | 29    | 39    | 34    | 52    | 58.5  | 69    | 84.5  |
|   | <b>Weight ( Kg )</b> | 0.165 | 0.135 | 0.235 | 0.300 | 0.530 | 0.82  | 1.34  | 1.89  |

Sferaco 90 rue du Ruisseau 38297 St Quentin Fallavier Tel: + 33 (0) 474.94.15.90 Fax: + 33 (0) 474.95.62.08 Internet: [www.sferaco.fr](http://www.sferaco.fr) E-mail : [sferaco@sferaco.fr](mailto:sferaco@sferaco.fr)

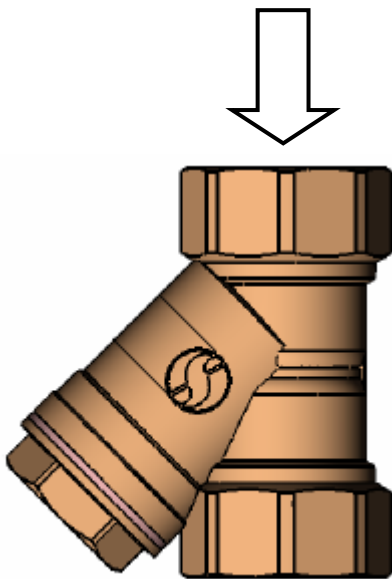
## BRASS Y STRAINER

### STANDARDS :

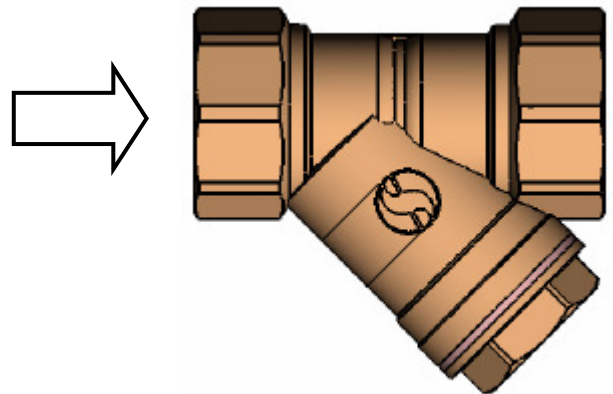
- Fabrication according to ISO 9001 :2000
- DIRECTIVE 97/23/CE : Products excluded from directive ( Article 1, § 3.2 )
- French water agreement **A.C.S. N° 07 ACC LY 386**
- Threaded BSP female cylindric ends

### INSTALLATION POSITIONS :

Vertical position ( descendand fluid )



Horizontal position



**ADVICE :** Our opinion and our advice are not guaranteed and SFERACO shall not be liable for the consequences of damages. The customer must check the right choice of the products with the real service conditions.