

ARI-Strainer - Screen of stainless steel  
DN 10 - 100

ARI-Strainer -  
Straight through with flanges

- TRB 801 Annex II No. 45

Cast steel  
Forged steel  
High temp.  
Steel

Fig. 050

Page 2 + 3

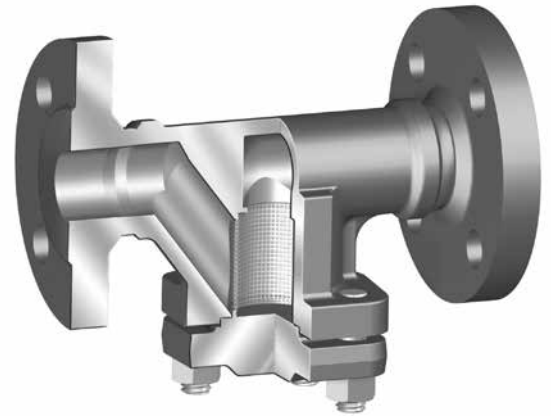
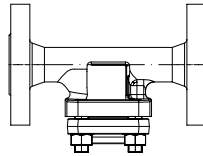


Fig. 050

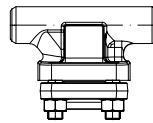
ARI-Strainer -  
Straight through with butt weld ends

- TRB 801 Annex II No. 45

Cast steel  
Forged steel  
High temp.  
Steel

Fig. 080

Page 4 + 5



**Features:**

- Screen of stainless steel
- Screen from DN50 with reinforced ring
- Precise guidance of screen in cover and body

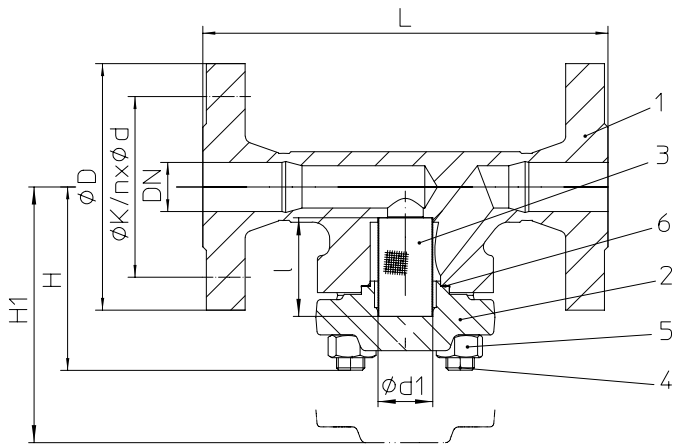
**Strainer - straight through with flanges (Forged steel, High temperature steel)**


Figure	Nominal pressure	Material	Nominal diameter
48.050....40	PN63-160	1.0460	DN10-40
46.050....40	PN63	1.0460	DN50
48.050....40	PN100-160	1.0460	DN50
88.050....81	PN63-160	1.7335	DN10-40
86.050....81	PN63	1.7335	DN50
88.050....81	PN100-160	1.7335	DN50

Larger nominal diameters refer to page 3.

Parts				
Pos.	Sp.p.	Description	Fig. 46./48.050....40	Fig. 86./88.050....81
1		Body	P250 GH, 1.0460	13CrMo4-5, 1.7335
2		Cover	P250 GH, 1.0460	13CrMo4-5, 1.7335
3	x	Screen	X6CrNiMoTi17-12-2, 1.4571	
4		Stud	21CrMoV 5-7, 1.7709	
5		Hexagon nut	21CrMoV 5-7, 1.7709	
6	x	Gasket	Pure graphite (CrNi laminated with graphite)	
L Spare parts				

DN	10	15	20	25	32	40	50
----	----	----	----	----	----	----	----

Face-to-face dimension FTF series 2 acc. to DIN EN 558		Standard-flange dimensions refer to page 6						
L	(mm)	210	210	230	230	260	260	300

Dimensions			10	15	20	25	32	40	50
H	(mm)		105	105	105	105	145	145	160
H1	(mm)		150	150	150	150	200	200	220
l	(mm)		56	56	56	56	68	68	70
Ød1	(mm)		31	31	31	31	46	46	56
Standard screen	Mesh width	(mm)	1	1	1	1	1	1	1
	Kvs-value	(m³/h)	3,30	6,00	7,70	8,30	21,10	23,40	30,70
	Zeta-value	--	1,47	2,25	4,32	9,07	3,77	7,48	10,61
Fine screen	Mesh width	(mm)	0,25	0,25	0,25	0,25	0,25	0,25	0,25
	Kvs-value	(m³/h)	3,30	6,00	7,70	8,30	21,00	21,60	24,30
	Zeta-value	--	1,47	2,25	4,32	9,07	3,80	8,78	16,94
Ratio of the free screen surface area to the area of the nominal diameter			30	13	8	5	5	3	2,7
Zeta-value ... range of tolerance for Kvs-values acc. to VDI/VDE 2173									

Weights			10	15	20	25	32	40	50
46./86.050	(kg)		--	--	--	--	--	--	23,3
48./88.050	(kg)		6,8	7	8,6	9,6	16	18	23,5

Larger nominal diameters refer to page 3.

Information / restriction of technical rules need to be observed!

 Operating and installation instructions can be downloaded at [www.ari-armaturen.com](http://www.ari-armaturen.com).

A production permission acc. to TRB 801 No. 45 is available

The engineer, designing a system or a plant, is responsible for the selection of the correct valve.

Resistance and fitness must be verified, contact manufacturer for information (refer to Product overview and Resistance list)

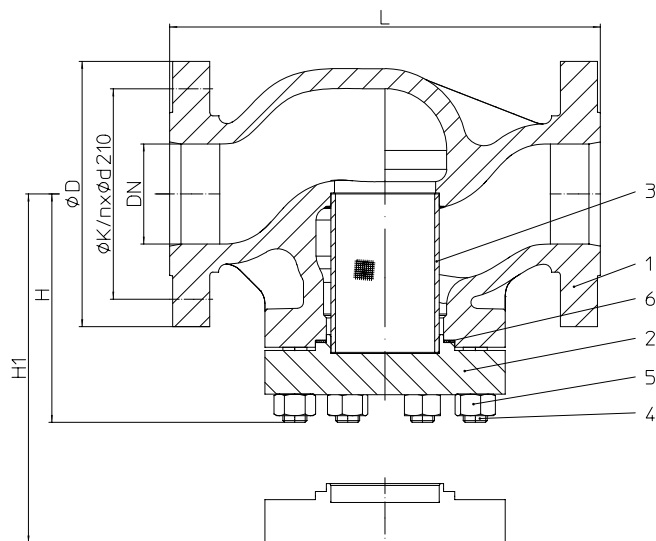
**Strainer - straight through with flanges (Cast steel, High temperature cast steel)**


Figure	Nominal pressure	Material	Nominal diameter
36.050...30	PN63	1.0619+N	DN65-100
37.050...30	PN100	1.0619+N	DN65-100
38.050...30	PN160	1.0619+N	DN65-100
86.050...89	PN63	1.7357	DN65-100
87.050...89	PN100	1.7357	DN65-100
88.050...89	PN160	1.7357	DN65-100

Smaller nominal diameters refer to page 2.

Parts				
Pos.	Sp.p.	Description	Fig. 36./37./38.050...30	Fig. 86./87./88.050...89
1		Body	GP240GH+N, 1.0619+N	G17CrMo5-5, 1.7357
2		Cover	P265GH, 1.0425	13CrMo4-5, 1.7335
3	x	Screen	X6CrNiMoTi17-12-2, 1.4571	
4		Stud	21CrMoV 5-7, 1.7709	
5		Hexagon nut	21CrMoV 5-7, 1.7709	
6	x	Gasket	Pure graphite (with Cr-Ni-grooved)	
		L Spare parts		

DN	65	80	100
----	----	----	-----

Face-to-face dimension FTF series 2 acc. to DIN EN 558		Standard-flange dimensions refer to page 6		
L	(mm)	340	380	430

Dimensions				
H	(mm)	207	217	235
H1	(mm)	300	327	354
l	(mm)	130	144	158
Ød1	(mm)	72	88	108
Standard screen with supporting basket	Mesh width	(mm)	1,25	1,25
	Kvs-value	(m³/h)	71,0	101
	Zeta-value	--	5,67	6,38
Fine screen with supporting basket	Mesh width	(mm)	0,25	0,25
	Kvs-value	(m³/h)	69,1	98,2
	Zeta-value	--	6,0	6,8
Ratio of the free screen surface area to the area of the nominal diameter			2,0	1,8
Zeta-value ... range of tolerance for Kvs-values acc. to VDI/VDE 2173				

Weights				
36./86.050	(kg)	38	56	77
37./38.050 87./88.050	(kg)	48	68	93

Smaller nominal diameters refer to page 2.

Information / restriction of technical rules need to be observed!

 Operating and installation instructions can be downloaded at [www.ari-armaturen.com](http://www.ari-armaturen.com).

A production permission acc. to TRB 801 No. 45 is available

The engineer, designing a system or a plant, is responsible for the selection of the correct valve.

Resistance and fitness must be verified, contact manufacturer for information (refer to Product overview and Resistance list)

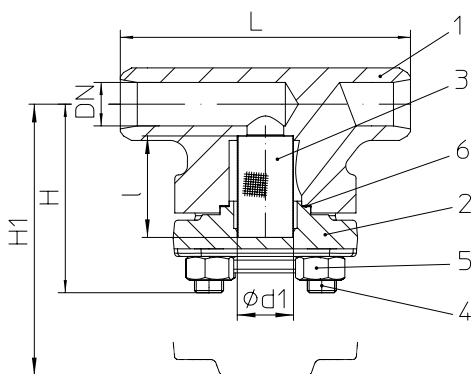
**Strainer - straight through with butt weld ends (Forged steel, High temperature steel)**


Figure	Nominal pressure	Material	Nominal diameter
46.080...40	PN63	1.0460	DN10-50
47.080...40	PN100	1.0460	DN10-50
48.080...40	PN160	1.0460	DN10-50

86.080...81	PN63	1.7335	DN10-50
87.080...81	PN100	1.7335	DN10-50
88.080...81	PN160	1.7335	DN10-50

Larger nominal diameters refer to page 5.

**Butt weld ends according to DIN EN 12627 (refer to page 6)**

Parts				
Pos.	Sp.p.	Description	Fig. 46./47./48.080...40	Fig. 86./87./88.080...81
1		Body	P250 GH, 1.0460	13CrMo4-5, 1.7335
2		Cover	P250 GH, 1.0460	13CrMo4-5, 1.7335
3	x	Screen	X6CrNiMoTi17-12-2, 1.4571	
4		Stud	21CrMoV 5-7, 1.7709	
5		Hexagon nut	21CrMoV 5-7, 1.7709	
6	x	Gasket	Pure graphite (CrNi laminated with graphite)	
L Spare parts				

DN	10	15	20	25	32	40	50
----	----	----	----	----	----	----	----

Face-to-face dimension ETE series 65 acc. to DIN EN 12982								
L	(mm)	150	150	150	160	180	210	250

Dimensions									
H	(mm)	105	105	105	105	145	145	160	
H1	(mm)	150	150	150	150	200	200	220	
l	(mm)	56	56	56	56	68	68	70	
Ød1	(mm)	31	31	31	31	46	46	56	
Standard screen	Mesh width	(mm)	1	1	1	1	1	1	
	Kvs-value	(m³/h)	3,30	6,00	7,70	8,30	21,10	23,40	30,70
	Zeta-value	--	1,47	2,25	4,32	9,07	3,77	7,48	10,61
Fine screen	Mesh width	(mm)	0,25	0,25	0,25	0,25	0,25	0,25	
	Kvs-value	(m³/h)	3,30	6,00	7,70	8,30	21,00	21,60	24,30
	Zeta-value	--	1,47	2,25	4,32	9,07	3,80	8,78	16,94
Ratio of the free screen surface area to the area of the nominal diameter			30	13	8	5	5	3	2,7
Zeta-value ... range of tolerance for Kvs-values acc. to VDI/VDE 2173									

Weights								
46./47./48.080	(kg)	4,6	4,6	4,6	4,7	10,2	10,2	12,7
86./87./88.080								
Larger nominal diameters refer to page 5.								

Information / restriction of technical rules need to be observed!

 Operating and installation instructions can be downloaded at [www.ari-armaturen.com](http://www.ari-armaturen.com).

A production permission acc. to TRB 801 No. 45 is available

The engineer, designing a system or a plant, is responsible for the selection of the correct valve.

Resistance and fitness must be verified, contact manufacturer for information (refer to Product overview and Resistance list)

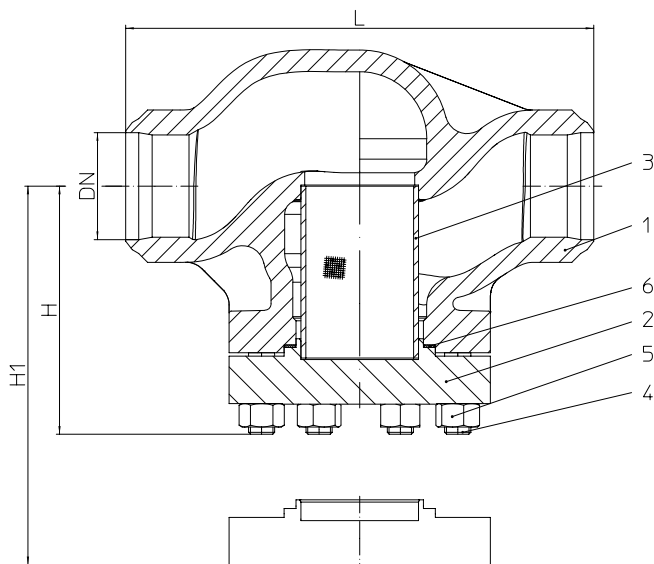
**Strainer in Durchgangsform with butt weld ends (Cast steel, High temperature cast steel)**


Figure	Nominal pressure	Material	Nominal diameter
36.080...30	PN63	1.0619+N	DN65-100
37.080...30	PN100	1.0619+N	DN65-100
38.080...30	PN160	1.0619+N	DN65-100

86.080...89	PN63	1.7357	DN65-100
87.080...89	PN100	1.7357	DN65-100
88.080...89	PN160	1.7357	DN65-100

Smaller nominal diameters refer to page 4.

**Butt weld ends according to DIN EN 12627 (refer to page 6)**

Parts				
Pos.	Sp.p.	Description	Fig. 36./37./38.080...30	Fig. 86./87./88.080...89
1		Body	GP240GH+N, 1.0619+N	G17CrMo5-5, 1.7357
2		Cover	P265GH, 1.0425	13CrMo4-5, 1.7335
3	x	Screen	X6CrNiMoTi17-12-2, 1.4571	
4		Spring	21CrMoV 5-7, 1.7709	
5		Hexagon nut	21CrMoV 5-7, 1.7709	
6	x	Gasket	Pure graphite (with Cr-Ni-grooved)	
		L Spare parts		

DN	65	80	100
----	----	----	-----

Face-to-face dimension ETE series 65 acc. to DIN EN 12982			
L	(mm)	340	380
			430

Dimensions				
H	(mm)	207	217	235
H1	(mm)	300	327	354
l	(mm)	130	144	158
Ød1	(mm)	72	88	108
Standard screen with supporting basket	Mesh width	(mm)	1,25	1,6
	Kvs-value	(m³/h)	71,0	151
	Zeta-value	--	5,67	7,03
Fine screen with supporting basket	Mesh width	(mm)	0,25	0,25
	Kvs-value	(m³/h)	69,1	147
	Zeta-value	--	6,0	7,4
Ratio of the free screen surface area to the area of the nominal diameter.			2,0	1,8
Zeta-value ... range of tolerance for Kvs-values acc. to VDI/VDE 2173				

Weights				
36./37./38.080	(kg)	34	54	74
86./87./88.080				

Smaller nominal diameters refer to page 4.

Information / restriction of technical rules need to be observed!

 Operating and installation instructions can be downloaded at [www.ari-armaturen.com](http://www.ari-armaturen.com).

A production permission acc. to TRB 801 No. 45 is available

The engineer, designing a system or a plant, is responsible for the selection of the correct valve.

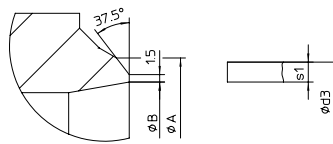
Resistance and fitness must be verified, contact manufacturer for information (refer to Product overview and Resistance list)

DN			10	15	20	25	32	40	50	65	80	100
<b>Standard-flange dimensions</b>												
Flanges according to DIN 1092-1 Form B1												
PN63	ØD	(mm)	100	105	130	140	155	170	180	205	215	250
	ØK	(mm)	70	75	90	100	110	125	135	160	170	200
	n x Ød	(mm)	4 x 14	4 x 14	4 x 18	4 x 18	4 x 22	4 x 22	4 x 22	8 x 22	8 x 22	8 x 26
PN100	ØD	(mm)	100	105	130	140	155	170	195	220	230	265
	ØK	(mm)	70	75	90	100	110	125	145	170	180	210
	n x Ød	(mm)	4 x 14	4 x 14	4 x 18	4 x 18	4 x 22	4 x 22	4 x 26	8 x 26	8 x 26	8 x 30
PN160	ØD	(mm)	100	105	130	140	155	170	195	220	230	265
	ØK	(mm)	70	75	90	100	110	125	145	170	180	210
	n x Ød	(mm)	4 x 14	4 x 14	4 x 18	4 x 18	4 x 22	4 x 22	4 x 26	8 x 26	8 x 26	8 x 30

### Valves with butt weld ends

L = Face-to-face dimension

Edge shaping acc. to DIN EN 25817



Ød3 / s1 = corresponding pipe dimension

DN			10	15	20	25	32	40	50	65	80	100
----	--	--	----	----	----	----	----	----	----	----	----	-----

### Butt weld ends according to DIN EN 12627

L		(mm)	150	150	150	160	180	210	250	340	380	430
PN63	ØA	(mm)	18	22	28	35	44	50	62	77	91	117
	ØB	(mm)	13,2	17,3	22,3	28,5	37,2	43,1	53,9	68,9	80,9	104,3
	Ød3	(mm)	17,2	21,3	26,9	33,7	42,4	48,3	60,3	76,1	88,9	114,3
	s1	(mm)	2	2	2,3	2,6	2,6	2,6	3,2	3,6	4	5
PN100	ØA	(mm)	18	22	28	35	44	50	62	77	91	117
	ØB	(mm)	13,2	17,3	22,3	28,5	37,2	43,1	53,9	68,9	80,9	104,3
	Ød3	(mm)	17,2	21,3	26,9	33,7	42,4	48,3	60,3	76,1	88,9	114,3
	s1	(mm)	2	2	2,3	2,6	2,6	2,6	3,2	3,6	4	5
PN160	ØA	(mm)	18	22	28	35	44	50	62	77	91	117
	ØB	(mm)	13,2	17,3	22,3	27,3	35,2	41,1	52,3	64,9	76,3	98,3
	Ød3	(mm)	17,2	21,3	26,9	33,7	42,4	48,3	60,3	76,1	88,9	114,3
	s1	(mm)	2	2	2,3	3,2	3,6	3,6	4	5,6	6,3	8

### Face-to-face dimension ETE series 65 acc. to DIN EN 12982.

The material used for ARI valves with butt weld ends are:

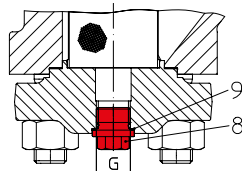
P250GH, 1.0460 acc. to DIN EN 10222-2

13CrMo4-5, 1.7335 acc. to DIN EN 10222-2

GP240GH+N, 1.0619+N acc. to DIN EN 10213

G17CrMo5-5, 1.7357 acc. to DIN EN 10213

DN	G
(mm)	(inch)
10-25	3/8
32-50	3/4
65-80	1
100	1 1/2



Drain screw

Pos.	Description	Fig. 36./37./38.050 Fig. 36./37./38.080 Fig. 46./47./48.050 Fig. 46./47./48.080	Fig. 86./87./88.050 Fig. 86./87./88.080
8	Drain screw	C35E, 1.1181	21CrMoV 5-7, 1.7709
9	Bellows housing	St	A4

**Pressure-temperature-ratings** Intermediate values for max. permissible operational pressures can be determined by linear interpolation of the given temperature / pressure chart.

acc. to manufacturers standard			-10°C bis 50°C	100°C	150 °C	200°C	250°C	300°C	350°C	400°C
1.0619+N	63	(bar)	63	59	56	53	48	44	41	38
	100	(bar)	100	93	88	83	76	69	64	60
	160	(bar)	160	149	141	133	122	110	103	95

acc. to manufacturers standard			-10°C to 50°C	120°C	150°C	200°C	250°C	300°C	350°C	400°C	450°C
1.0460	PN 63	(bar)	63	63	58	50	45	40	36	32	24
	PN 100	(bar)	100	100	90	80	70	60	56	50	38
	PN 160	(bar)	160	160	145	130	112	96	90	80	60

acc. to manufacturers standard			-10°C to 250°C	300°C	350°C	400°C	450°C	500°C	520°C	530°C	540°C	550°C
1.7335	PN 63	(bar)	63	63	61	58	56	47	32	25	20	15
	PN 100	(bar)	100	100	95	91	87	74	49	38	31	24
	PN 160	(bar)	160	160	153	146	139	118	79	62	46	35
1.7357	PN 63	(bar)	63	63	60	57	53	41	28	23	--	--
	PN 100	(bar)	100	100	95	90	84	65	45	37	--	--
	PN 160	(bar)	160	160	152	144	135	104	72	59	--	--

**Please indicate when ordering:**

- Figure-No.
- Nominal pressure
- Nominal diameter
- Special design / accessories

**Example:**

Figure 46.050; Nominal pressure PN63; Nominal diameter DN50.



**Technology for the Future.**  
GERMAN QUALITY VALVES

ARI-Armaturen Albert Richter GmbH & Co. KG, D-33750 Schloß Holte-Stukenbrock,  
Tel. +49 52 07 / 994-0, Telefax +49 52 07 / 994-158 or 159 Internet: <http://www.ari-armaturen.com> E-mail: [info.vertrieb@ari-armaturen.com](mailto:info.vertrieb@ari-armaturen.com)